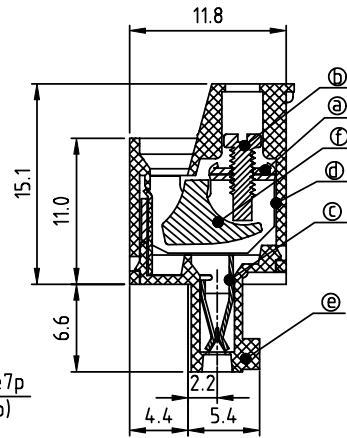
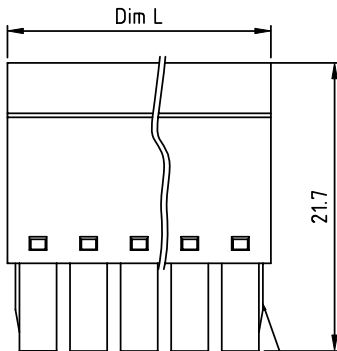
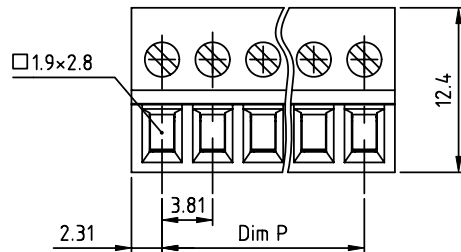
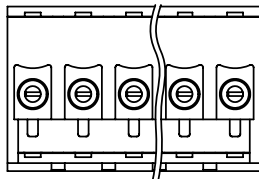


PRODUCT NUMBER	PITCH
VMxx35x00J0G	3.81 mm



2p to 6p with wedge, above 7p without wedge (including 7p)



Material:

- ItemⒶ Clamp: Steel zinc plated.
- ItemⒷ Terminal screw: Steel zinc plating "-" slot type
- ItemⒸ Female contact: PhBz Tin plated
- ItemⒹ Terminal (top body): Thermoplastic (UL94V-0)
- ItemⒺ Terminal (bottom body): Thermoplastic (UL94V-0)
- ItemⒻ Clampage: Steel Zinc plated

Electrical cULus

- Voltage rating: 300VAC
- Current rating: 10A
- Wire range:
- Solid wire(AWG): 16-28
- Stranded wire(AWG): 16-28
- Torque: 1.7Lb-In
- Screw: M2
- Wire strip length: 6-7mm
- Withstanding Voltage: 1.6KV
- Operating temperature: -40°C to +115°C
- Safety approval:

DIMENSION

Dim L	(N-1)×3.81+4.62
Dim P	(N-1)×3.81

N=Number of poles

Poles	Tolerance
2p-6p	±0.20
7p-12p	±0.25
13p-18p	±0.30
19p-24p	±0.40

PART NO.: VM xx 35 x 0 00J0 G

Solid block	No. of poles	Color	RoHS compliant
0	2	Black (RAL9005)	(lead<4%)
02	2 poles	Red (RAL3001/D)	In copper Alloy
03	3 poles	Orange(RAL2011/P)	
...	...	4 Yellow(RAL1018/A)	
...	...	5 Green(RAL6018/T)	
24	24 poles	6 Blue (RAL5015/A)	
		8 Grey(RAL7035/D)	
		9 White(RAL1102)	
		C Green(RAL6018/U)	

mat'l. code		surface ASME Y14.5	tolerance ASME Y14.5	projection 	product family TERMINAL BLOCK
ltr ecn no dr date		tolerances unless otherwise specified		MM	title TERMINAL BLOCK PLUGGABLE PLUG, WITHOUT FLANGE
angles		X.±0.5	X.X±0.3	scale	dwg no VMxx35x00J0G
X*±1*		X.XX±0.1		sheet 1 of 1	size A4
dr		EVIN ZHONG	041914	FCI logo	
enrg		EVIN ZHONG	041914	type CUSTOMER Drawing	
chr		HANKE FENG	041914		
appd		SHI JUN	041914		
sheet index	revision	A			
	sheet	1			