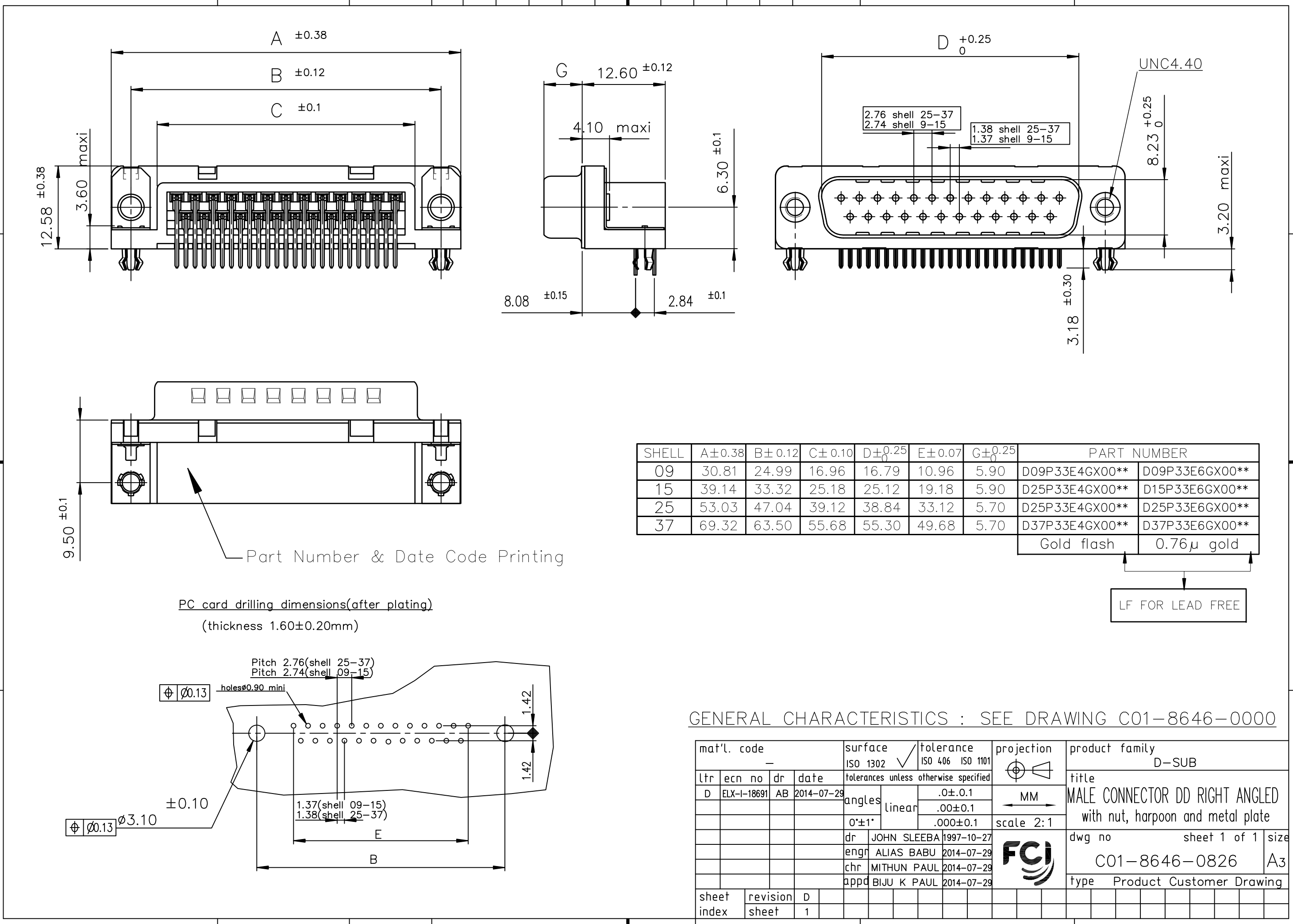




FCIconnect.com

Copyright FCI



Part Number & Date Code Printing

PC card drilling dimensions(after plating)
(thickness 1.60±0.20mm)

SHELL	A±0.38	B±0.12	C±0.10	D±0.25	E±0.07	G±0.25	PART NUMBER	
09	30.81	24.99	16.96	16.79	10.96	5.90	D09P33E4GX00**	D09P33E6GX00**
15	39.14	33.32	25.18	25.12	19.18	5.90	D25P33E4GX00**	D15P33E6GX00**
25	53.03	47.04	39.12	38.84	33.12	5.70	D25P33E4GX00**	D25P33E6GX00**
37	69.32	63.50	55.68	55.30	49.68	5.70	D37P33E4GX00**	D37P33E6GX00**
							Gold flash	0.76µ gold

LF FOR LEAD FREE

GENERAL CHARACTERISTICS : SEE DRAWING C01-8646-0000

mat'l. code				surface ISO 1302 ✓		tolerance ISO 406 ISO 1101		projection		product family	
-								MM		D-SUB	
ltr		ecn no		dr		date		tolerances unless otherwise specified		title	
D		ELX-I-18691		AB		2014-07-29		angles linear		MALE CONNECTOR DD RIGHT ANGLED with nut, harpoon and metal plate	
								0°±1'		scale 2:1	
								dr JOHN SLEEBA 1997-10-27		dwg no sheet 1 of 1 size	
								enr ALIAS BABU 2014-07-29		C01-8646-0826 A3	
								chr MITHUN PAUL 2014-07-29		type Product Customer Drawing	
								app BIJU K PAUL 2014-07-29			
sheet index		revision sheet		D		1					