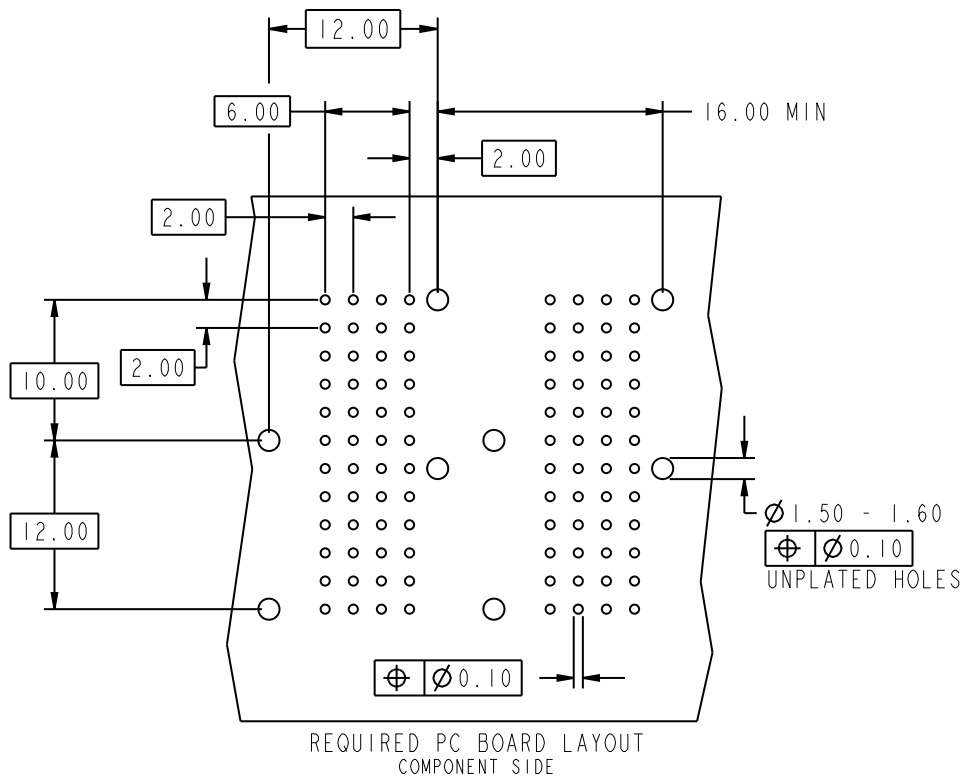






This document is the property of and embodies CONFIDENTIAL and PROPRIETARY information of FCJ. No part of the information shown on this document may be used in any way or disclosed to others without the written consent of FCJ. Copyright FCJ.



KEY		
CODE	DIMENSIONS	
	DIM "A" MATE	DIM "B" TAIL
1	5.00	4.25
2	5.75	4.25
3	6.50	4.25
4	7.25	4.25
5	5.00	3.30
6	5.75	3.30
7	6.50	3.30
8	7.25	3.30
9	5.00	2.65
10	5.75	2.65
11	6.50	2.65
12	7.25	2.65
13	8.00	4.25

mat'l code				tolerances unless otherwise specified		CUSTOMER		FCJ		www.fcjconnect.com	
ltr	ecn no.	dr	date	linear	0.X ±0.3		COPY		projection	title	
X					0.XX ±0.13		MM			METRAL SIGNAL HEADER	
					.XXX ±.051		2:1			I MOD. 4 ROW STB	
				angles	0° ±2°		scale		product family		
				dr	T.BRUNGARD	11/19/99	A		METRAL		code
				enr	M.STRAWSER	11/19/99	A		size		213
				chr	M.STRAWSER	11/19/99	A		dwg no		sheet
				appd	M.STRAWSER	02/29/00	A		88951		2
sheet index	revision sheet										

cage code 22526

1 | 2

3 |

4

METRAL P/N	ROW	CONTACT CODE MOD. 1					
		1	2	3	4	5	6
88951-X01 SEE NOTE 9 LEAD FREE OPTION	D	1	1	1	1	1	1
	C	1	1	1	1	1	1
	B	1	1	1	1	1	1
	A	1	1	1	1	1	1

METRAL P/N	ROW	CONTACT CODE MOD. 1					
		1	2	3	4	5	6
88951-X05 SEE NOTE 9 LEAD FREE OPTION	D	3	3	3	3	3	3
	C	3	3	3	3	3	3
	B	3	3	3	3	3	3
	A	3	3	3	3	3	3

METRAL P/N	ROW	CONTACT CODE MOD. 1					
		1	2	3	4	5	6
88951-X09 SEE NOTE 9 LEAD FREE OPTION	D	4	4	4	4	4	4
	C	4	4	4	4	4	4
	B	4	4	4	4	4	4
	A	4	4	4	4	4	4

METRAL P/N	ROW	CONTACT CODE MOD. 1					
		1	2	3	4	5	6
88951-X13 SEE NOTE 9 LEAD FREE OPTION	D	1	1	1	1	1	1
	C	1	1	1	1	1	1
	B	3	3	3	3	3	3
	A	1	1	1	1	1	1

METRAL P/N	ROW	CONTACT CODE MOD. 1					
		1	2	3	4	5	6
88951-X02 SEE NOTE 9 LEAD FREE OPTION	D	1	1	1	1	1	1
	C	1	1	1	1	1	1
	B	1	1	1	1	1	1
	A	3	3	3	3	3	3

METRAL P/N	ROW	CONTACT CODE MOD. 1					
		1	2	3	4	5	6
88951-X06 SEE NOTE 9 LEAD FREE OPTION	D	2	2	2	2	2	2
	C	2	2	2	2	2	2
	B	2	2	2	2	2	2
	A	2	2	2	2	2	2

METRAL P/N	ROW	CONTACT CODE MOD. 1					
		1	2	3	4	5	6
88951-X10 SEE NOTE 9 LEAD FREE OPTION	D	1	1	1	1	1	1
	C	2	2	2	2	2	2
	B	3	3	3	3	3	3
	A	4	4	4	4	4	4

METRAL P/N	ROW	CONTACT CODE MOD. 1					
		1	2	3	4	5	6
88951-X15 SEE NOTE 9 LEAD FREE OPTION	D	2	2	2	2	2	2
	C	1	1	1	1	1	1
	B	2	2	2	2	2	2
	A	1	1	1	1	1	1

METRAL P/N	ROW	CONTACT CODE MOD. 1					
		1	2	3	4	5	6
88951-X03 SEE NOTE 9 LEAD FREE OPTION	D	3	3	3	3	3	3
	C	2	2	2	2	2	2
	B	2	2	2	2	2	2
	A	3	3	3	3	3	3

METRAL P/N	ROW	CONTACT CODE MOD. 1					
		1	2	3	4	5	6
88951-X07 SEE NOTE 9 LEAD FREE OPTION	D	3	3	3	3	3	3
	C	2	2	2	2	2	2
	B	2	2	2	2	2	2
	A	1	1	1	1	1	1

METRAL P/N	ROW	CONTACT CODE MOD. 1					
		1	2	3	4	5	6
88951-X11 SEE NOTE 9 LEAD FREE OPTION	D	3	3	3	3	3	3
	C	1	1	1	1	1	1
	B	3	3	3	3	3	3
	A	3	3	3	3	3	3

METRAL P/N	ROW	CONTACT CODE MOD. 1					
		1	2	3	4	5	6
88951-X16 SEE NOTE 9 LEAD FREE OPTION	D	2	2	2	2	2	2
	C	3	3	3	3	3	3
	B	4	4	4	4	4	4
	A	3	3	3	3	3	3

METRAL P/N	ROW	CONTACT CODE MOD. 1					
		1	2	3	4	5	6
88951-X04 SEE NOTE 9 LEAD FREE OPTION	D	4	4	4	4	4	4
	C	3	3	3	3	3	3
	B	3	3	3	3	3	3
	A	4	4	4	4	4	4

METRAL P/N	ROW	CONTACT CODE MOD. 1					
		1	2	3	4	5	6
88951-X08 SEE NOTE 9 LEAD FREE OPTION	D	3	3	3	3	3	3
	C	1	1	1	1	1	1
	B	1	1	1	1	1	1
	A	1	1	1	1	1	1

METRAL P/N	ROW	CONTACT CODE MOD. 1					
		1	2	3	4	5	6
88951-X12 SEE NOTE 9 LEAD FREE OPTION	D	4	4	4	4	4	4
	C	3	3	3	3	3	3
	B	2	2	2	2	2	2
	A	1	1	1	1	1	1

METRAL P/N	ROW	CONTACT CODE MOD. 1					
		1	2	3	4	5	6
88951-X17 SEE NOTE 9 LEAD FREE OPTION	D	2	2	2	2	2	2
	C	2	2	2	2	2	2
	B	2	2	2	2	2	2
	A	3	3	3	3	3	3



This document is the property of and embodies CONFIDENTIAL and PROPRIETARY information of FCI. No part of the information shown on this document may be used in any way or disclosed to others without the written consent of FCI. Copyright FCI.

mat'l code				tolerances unless otherwise specified		CUSTOMER	FCI www.fciconnect.com	
ltr	ecr no.	dr	date	linear	0.X ±0.3	COPY	title	
X					0.XX ±0.13	projection	METRAL SIGNAL HEADER 1 MOD. 4 ROW STB	
					.XXX ±.051		product family	
				angles	0° ±2°	MM	METRAL	
				dr	T.BRUNGARD 11/19/99	scale 2:1	code	
				engr	M.STRAWSER 11/19/99		size	
				chr	M.STRAWSER 11/19/99		dwg no	
				appd	M.STRAWSER 02/29/00		88951	
sheet index	revision sheet						sheet 213 3	

1 | 2

3 |

4

METRAL P/N	ROW	CONTACT CODE MOD. 1					
		1	2	3	4	5	6
88951-X31 SEE NOTE 9 LEAD FREE OPTION	D	5	5	5	5	5	5
	C	5	5	5	5	5	5
	B	5	5	5	5	5	5
	A	5	5	5	5	5	5

METRAL P/N	ROW	CONTACT CODE MOD. 1					
		1	2	3	4	5	6
88951-X35 SEE NOTE 9 LEAD FREE OPTION	D	7	7	7	7	7	7
	C	7	7	7	7	7	7
	B	7	7	7	7	7	7
	A	7	7	7	7	7	7

METRAL P/N	ROW	CONTACT CODE MOD. 1					
		1	2	3	4	5	6
88951-X39 SEE NOTE 9 LEAD FREE OPTION	D	8	8	8	8	8	8
	C	8	8	8	8	8	8
	B	8	8	8	8	8	8
	A	8	8	8	8	8	8

METRAL P/N	ROW	CONTACT CODE MOD. 1					
		1	2	3	4	5	6
88951-X43 SEE NOTE 9 LEAD FREE OPTION	D	5	5	5	5	5	5
	C	5	5	5	5	5	5
	B	7	7	7	7	7	7
	A	5	5	5	5	5	5

METRAL P/N	ROW	CONTACT CODE MOD. 1					
		1	2	3	4	5	6
88951-X32 SEE NOTE 9 LEAD FREE OPTION	D	5	5	5	5	5	5
	C	5	5	5	5	5	5
	B	5	5	5	5	5	5
	A	7	7	7	7	7	7

METRAL P/N	ROW	CONTACT CODE MOD. 1					
		1	2	3	4	5	6
88951-X36 SEE NOTE 9 LEAD FREE OPTION	D	6	6	6	6	6	6
	C	6	6	6	6	6	6
	B	6	6	6	6	6	6
	A	6	6	6	6	6	6

METRAL P/N	ROW	CONTACT CODE MOD. 1					
		1	2	3	4	5	6
88951-X40 SEE NOTE 9 LEAD FREE OPTION	D	5	5	5	5	5	5
	C	6	6	6	6	6	6
	B	7	7	7	7	7	7
	A	8	8	8	8	8	8

METRAL P/N	ROW	CONTACT CODE MOD. 1					
		1	2	3	4	5	6
88951-X45 SEE NOTE 9 LEAD FREE OPTION	D	6	6	6	6	6	6
	C	5	5	5	5	5	5
	B	6	6	6	6	6	6
	A	5	5	5	5	5	5

METRAL P/N	ROW	CONTACT CODE MOD. 1					
		1	2	3	4	5	6
88951-X33 SEE NOTE 9 LEAD FREE OPTION	D	7	7	7	7	7	7
	C	6	6	6	6	6	6
	B	6	6	6	6	6	6
	A	7	7	7	7	7	7

METRAL P/N	ROW	CONTACT CODE MOD. 1					
		1	2	3	4	5	6
88951-X37 SEE NOTE 9 LEAD FREE OPTION	D	7	7	7	7	7	7
	C	6	6	6	6	6	6
	B	6	6	6	6	6	6
	A	5	5	5	5	5	5

METRAL P/N	ROW	CONTACT CODE MOD. 1					
		1	2	3	4	5	6
88951-X41 SEE NOTE 9 LEAD FREE OPTION	D	7	7	7	7	7	7
	C	5	5	5	5	5	5
	B	7	7	7	7	7	7
	A	7	7	7	7	7	7

METRAL P/N	ROW	CONTACT CODE MOD. 1					
		1	2	3	4	5	6
88951-X46 SEE NOTE 9 LEAD FREE OPTION	D	6	6	6	6	6	6
	C	7	7	7	7	7	7
	B	8	8	8	8	8	8
	A	7	7	7	7	7	7

METRAL P/N	ROW	CONTACT CODE MOD. 1					
		1	2	3	4	5	6
88951-X34 SEE NOTE 9 LEAD FREE OPTION	D	8	8	8	8	8	8
	C	7	7	7	7	7	7
	B	7	7	7	7	7	7
	A	8	8	8	8	8	8

METRAL P/N	ROW	CONTACT CODE MOD. 1					
		1	2	3	4	5	6
88951-X38 SEE NOTE 9 LEAD FREE OPTION	D	7	7	7	7	7	7
	C	5	5	5	5	5	5
	B	5	5	5	5	5	5
	A	5	5	5	5	5	5

METRAL P/N	ROW	CONTACT CODE MOD. 1					
		1	2	3	4	5	6
88951-X42 SEE NOTE 9 LEAD FREE OPTION	D	8	8	8	8	8	8
	C	7	7	7	7	7	7
	B	6	6	6	6	6	6
	A	5	5	5	5	5	5

METRAL P/N	ROW	CONTACT CODE MOD. 1					
		1	2	3	4	5	6
88951-X47 SEE NOTE 9 LEAD FREE OPTION	D	6	6	6	6	6	6
	C	6	6	6	6	6	6
	B	6	6	6	6	6	6
	A	7	7	7	7	7	7



This document is the property of and embodies CONFIDENTIAL and PROPRIETARY information of FCI. No part of the information shown on this document may be used in any way or disclosed to others without the written consent of FCI. Copyright FCI.

mat'l code				tolerances unless otherwise specified				CUSTOMER		FCI www.fciconnect.com		
ltr	ecr no.	dr	date	linear	0.X ±0.3			COPY		projection	title METRAL SIGNAL HEADER 1 MOD. 4 ROW STB	
X					0.XX ±0.13			MM				
					.XXX ±.051			2:1				
				angles	0° ±2°			scale		A	88951	
				dr	T.BRUNGARD	11/19/99	product family		METRAL			code
				engr	M.STRAWSER	11/19/99	size	dwg no	213			sheet
				chr	M.STRAWSER	11/19/99	sheet		4			
				appd	M.STRAWSER	02/29/00	cage code		22526	4		
sheet index	revision sheet											

METRAL P/N	ROW	CONTACT CODE MOD. 1					
		1	2	3	4	5	6
88951-X61	D	9	9	9	9	9	9
SEE NOTE 9 LEAD FREE OPTION	C	9	9	9	9	9	9
	B	9	9	9	9	9	9
	A	9	9	9	9	9	9

METRAL P/N	ROW	CONTACT CODE MOD. 1					
		1	2	3	4	5	6
88951-X65	D	11	11	11	11	11	11
SEE NOTE 9 LEAD FREE OPTION	C	11	11	11	11	11	11
	B	11	11	11	11	11	11
	A	11	11	11	11	11	11

METRAL P/N	ROW	CONTACT CODE MOD. 1					
		1	2	3	4	5	6
88951-X69	D	12	12	12	12	12	12
SEE NOTE 9 LEAD FREE OPTION	C	12	12	12	12	12	12
	B	12	12	12	12	12	12
	A	12	12	12	12	12	12

METRAL P/N	ROW	CONTACT CODE MOD. 1					
		1	2	3	4	5	6
88951-X73	D	9	9	9	9	9	9
SEE NOTE 9 LEAD FREE OPTION	C	9	9	9	9	9	9
	B	11	11	11	11	11	11
	A	9	9	9	9	9	9

METRAL P/N	ROW	CONTACT CODE MOD. 1					
		1	2	3	4	5	6
88951-X62	D	9	9	9	9	9	9
SEE NOTE 9 LEAD FREE OPTION	C	9	9	9	9	9	9
	B	9	9	9	9	9	9
	A	11	11	11	11	11	11

METRAL P/N	ROW	CONTACT CODE MOD. 1					
		1	2	3	4	5	6
88951-X66	D	10	10	10	10	10	10
SEE NOTE 9 LEAD FREE OPTION	C	10	10	10	10	10	10
	B	10	10	10	10	10	10
	A	10	10	10	10	10	10

METRAL P/N	ROW	CONTACT CODE MOD. 1					
		1	2	3	4	5	6
88951-X70	D	9	9	9	9	9	9
SEE NOTE 9 LEAD FREE OPTION	C	10	10	10	10	10	10
	B	11	11	11	11	11	11
	A	12	12	12	12	12	12

METRAL P/N	ROW	CONTACT CODE MOD. 1					
		1	2	3	4	5	6
88951-X75	D	10	10	10	10	10	10
SEE NOTE 9 LEAD FREE OPTION	C	9	9	9	9	9	9
	B	10	10	10	10	10	10
	A	9	9	9	9	9	9

METRAL P/N	ROW	CONTACT CODE MOD. 1					
		1	2	3	4	5	6
88951-X63	D	11	11	11	11	11	11
SEE NOTE 9 LEAD FREE OPTION	C	10	10	10	10	10	10
	B	10	10	10	10	10	10
	A	11	11	11	11	11	11

METRAL P/N	ROW	CONTACT CODE MOD. 1					
		1	2	3	4	5	6
88951-X67	D	11	11	11	11	11	11
SEE NOTE 9 LEAD FREE OPTION	C	10	10	10	10	10	10
	B	10	10	10	10	10	10
	A	9	9	9	9	9	9

METRAL P/N	ROW	CONTACT CODE MOD. 1					
		1	2	3	4	5	6
88951-X71	D	11	11	11	11	11	11
SEE NOTE 9 LEAD FREE OPTION	C	9	9	9	9	9	9
	B	11	11	11	11	11	11
	A	11	11	11	11	11	11

METRAL P/N	ROW	CONTACT CODE MOD. 1					
		1	2	3	4	5	6
88951-X76	D	10	10	10	10	10	10
SEE NOTE 9 LEAD FREE OPTION	C	11	11	11	11	11	11
	B	12	12	12	12	12	12
	A	11	11	11	11	11	11

METRAL P/N	ROW	CONTACT CODE MOD. 1					
		1	2	3	4	5	6
88951-X64	D	12	12	12	12	12	12
SEE NOTE 9 LEAD FREE OPTION	C	11	11	11	11	11	11
	B	11	11	11	11	11	11
	A	12	12	12	12	12	12

METRAL P/N	ROW	CONTACT CODE MOD. 1					
		1	2	3	4	5	6
88951-X68	D	11	11	11	11	11	11
SEE NOTE 9 LEAD FREE OPTION	C	9	9	9	9	9	9
	B	9	9	9	9	9	9
	A	9	9	9	9	9	9

METRAL P/N	ROW	CONTACT CODE MOD. 1					
		1	2	3	4	5	6
88951-X72	D	12	12	12	12	12	12
SEE NOTE 9 LEAD FREE OPTION	C	11	11	11	11	11	11
	B	10	10	10	10	10	10
	A	9	9	9	9	9	9

METRAL P/N	ROW	CONTACT CODE MOD. 1					
		1	2	3	4	5	6
88951-X77	D	10	10	10	10	10	10
SEE NOTE 9 LEAD FREE OPTION	C	10	10	10	10	10	10
	B	10	10	10	10	10	10
	A	11	11	11	11	11	11



This document is the property of and embodies CONFIDENTIAL and PROPRIETARY information of FCI. No part of the information shown on this document may be used in any way or disclosed to others without the written consent of FCI. Copyright FCI.

mat'l code				--		tolerances unless otherwise specified		CUSTOMER		 www.fciconnect.com	
ltr	ecn no.	dr	date	linear	0.X ±0.3		COPY		title METRAL SIGNAL HEADER 1 MOD. 4 ROW STB		
X					0.XX ±0.13		projection				
					.XXX ±.051						
				angles	0° ±2°				product family METRAL code size 213 dwg no 88951 sheet 5		
				dr	T.BRUNGARD	11/19/99	MM				
				engr	M.STRAWSER	11/19/99					
				chr	M.STRAWSER	11/19/99	scale				
				appd	M.STRAWSER	02/29/00	2:1				
sheet index	revision sheet										

METRAL P/N	ROW	CONTACT CODE MOD. 1					
		1	2	3	4	5	6
88951-X78 SEE NOTE 9 LEAD FREE OPTION	D	2	2	2	2	2	2
	C	2	2	2	2	2	2
	B	4	4	4	4	4	4
	A	2	2	2	2	2	2

METRAL P/N	ROW	CONTACT CODE MOD. 1					
		1	2	3	4	5	6
88951-X82 SEE NOTE 9 LEAD FREE OPTION	D	9	9	9	9	9	9
	C	9	9	9	9	9	9
	B	9	9	9	9	9	9
	A	9	9	9	9	9	9

METRAL P/N	ROW	CONTACT CODE MOD. 1					
		1	2	3	4	5	6
88951-X86 SEE NOTE 9 LEAD FREE OPTION	D	10	10	10	10	10	10
	C	10	10	10	10	10	10
	B	12	12	12	12	12	12
	A	10	10	10	10	10	10

METRAL P/N	ROW	CONTACT CODE MOD. 1					
		1	2	3	4	5	6
88951-X79 SEE NOTE 9 LEAD FREE OPTION	D	3	3	3	3	3	3
	C	4	4	4	4	4	4
	B	13	13	13	13	13	13
	A	13	13	13	13	13	13

METRAL P/N	ROW	CONTACT CODE MOD. 1					
		1	2	3	4	5	6
88951-X83 SEE NOTE 9 LEAD FREE OPTION	D	9	9	9	9	9	9
	C	9	9	9	9	9	9
	B	9	9	9	9	9	9
	A	11	11	11	11	11	11

METRAL P/N	ROW	CONTACT CODE MOD. 1					
		1	2	3	4	5	6
88951-X87 SEE NOTE 9 LEAD FREE OPTION	D	10	10	10	10	10	10
	C	10	10	10	10	10	10
	B	10	10	10	10	10	10
	A	10	10	10	10	10	10

METRAL P/N	ROW	CONTACT CODE MOD. 1					
		1	2	3	4	5	6
88951-X80 SEE NOTE 9 LEAD FREE OPTION	D	3	3	3	3	3	3
	C	3	3	3	3	3	3
	B	13	13	13	13	13	13
	A	3	3	3	3	3	3

METRAL P/N	ROW	CONTACT CODE MOD. 1					
		1	2	3	4	5	6
88951-X84 SEE NOTE 9 LEAD FREE OPTION	D	12	12	12	12	12	12
	C	11	11	11	11	11	11
	B	11	11	11	11	11	11
	A	12	12	12	12	12	12

METRAL P/N	ROW	CONTACT CODE MOD. 1					
		1	2	3	4	5	6
88951-X88 SEE NOTE 9 LEAD FREE OPTION	D	12	12	12	12	12	12
	C	12	12	12	12	12	12
	B	12	12	12	12	12	12
	A	12	12	12	12	12	12

METRAL P/N	ROW	CONTACT CODE MOD. 1					
		1	2	3	4	5	6
88951-X81 SEE NOTE 9 LEAD FREE OPTION	D	13	13	13	13	13	13
	C	13	13	13	13	13	13
	B	13	13	13	13	13	13
	A	13	13	13	13	13	13

METRAL P/N	ROW	CONTACT CODE MOD. 1					
		1	2	3	4	5	6
88951-X85 SEE NOTE 9 LEAD FREE OPTION	D	11	11	11	11	11	11
	C	11	11	11	11	11	11
	B	11	11	11	11	11	11
	A	11	11	11	11	11	11

METRAL P/N	ROW	CONTACT CODE MOD. 1					
		1	2	3	4	5	6
88951-X89 SEE NOTE 9 LEAD FREE OPTION	D	6	6	6	6	6	6
	C	6	6	6	6	6	6
	B	8	8	8	8	8	8
	A	6	6	6	6	6	6



This document is the property of and embodies CONFIDENTIAL and PROPRIETARY information of FCI. No part of the information shown on this document may be used in any way or disclosed to others without the written consent of FCI. Copyright FCI.

mat'l code				tolerances unless otherwise specified		CUSTOMER	FCI www.fciconnect.com		
ltr	ecn no.	dr	date	linear	0.X ±0.3	COPY	title		
X					0.XX ±0.13	projection	METRAL SIGNAL HEADER 1 MOD. 4 ROW STB		
					.XXX ±.051		product family		
				angles	0° ±2°	MM	METRAL		
		dr	T.BRUNGARD	11/19/99	scale	2:1	size	code	
		engr	M.STRAWSER	11/19/99			A	88951	213
		chr	M.STRAWSER	11/19/99			sheet		6
		appd	M.STRAWSER	02/29/00			cage code		
sheet index	revision sheet						22526	4	

PRODUCT NUMBER
88951-XYX
88951-XYLF

NOTES:

- FOR DIM A AND B SEE SHEET 2 AND UP.
- BODY MATERIAL: LIQUID CRYSTAL  
POLYMER 30 % GLASS.  
FLAME RETARDANT ACC. UL 94-V0.
- PIN MATERIAL:  
PHOSPHOR BRONZE.
- PLATING ON SOLDER TO BOARD:  
88951 -XYX IS SnPb  
88951-XYLF IS SN (LEAD FREE)  
PLATING ON CONTACT AREA CONFORMS TO PERFORMANCE LEVEL SHOWN IN TABLE.
- PRODUCT MARKING:  
PART NUMBER DESIGNATION & BATCH I.D.
- ALL PRODUCTS WITH PART NUMBERS SHOWN IN SUBSEQUENT TABLES WILL BE PACKAGED IN TUBES. IF TRAY PACKAGING IS REQUIRED, A SUFFIX "P" WILL BE ADDED TO THE END OF THE PART NUMBER. EXAMPLE: XXXXX-XXXX OR XXXXX-XXXPLF
- PRODUCT SPECIFICATION GS-12-180  
APPLICATION SPECIFICATION BUS-20-074
- THE PRODUCTS WHERE THE PART NUMBER ENDS IN LF MEET THE EUROPEAN UNION DIRECTIVES AND OTHER COUNTRY REGULATIONS AS DESCRIBED IN GS-22-008.
- FOR LEAD FREE PART NUMBERS, ADD AN "LF" SUFFIX. EXAMPLE: 88951-X0ILF
- ALL PRODUCTS EXCEPT THOSE WITH PART NUMBERS CONTAINING (DRAWING NO.)-N1--- OR (DRAWING NO.)-N5---WILL WITHSTAND EXPOSURE TO 260°C FOR 60 SECONDS IN A CONVECTION, INFRA-RED OR VAPOR PHASE REFLOW OVEN. PART NUMBERS (DRAWING NO.)-N1--- AND (DRAWINGS NO.)-N5---WILL NOT WITHSTAND REFLOW AND Au CONTACT SURFACE OF THE CONTACTS SHALL BE EXPOSED TO A MAXIMUM 140°C FOR NO LONGER THAN 15 SECONDS IN A WAVE SOLDER APPLICATION.

A

A



This document is the property of and embodies CONFIDENTIAL and PROPRIETARY information of FCI. No part of the information shown on this document may be used in any way or disclosed to others without the written consent of FCI. Copyright FCI.

B

B

mat'l code				--		tolerances unless otherwise specified		CUSTOMER		www.fciconnect.com	
ltr	ecn no.	dr	date	linear	0.X ±0.3		COPY		title METRAL SIGNAL HEADER 1 MOD. 4 ROW STB		
X					0.XX ±0.13		projection				
					.XXX ±.051						
				angles	0° ±2°				product family METRAL code		
		dr	T.BRUNGARD	11/19/99			size		213		
		enr	M.STRAWSER	11/19/99			dwg no		7		
		chr	M.STRAWSER	11/19/99			A		88951		
		appd	M.STRAWSER	02/29/00			scale 1:1				
sheet index	revision sheet										