

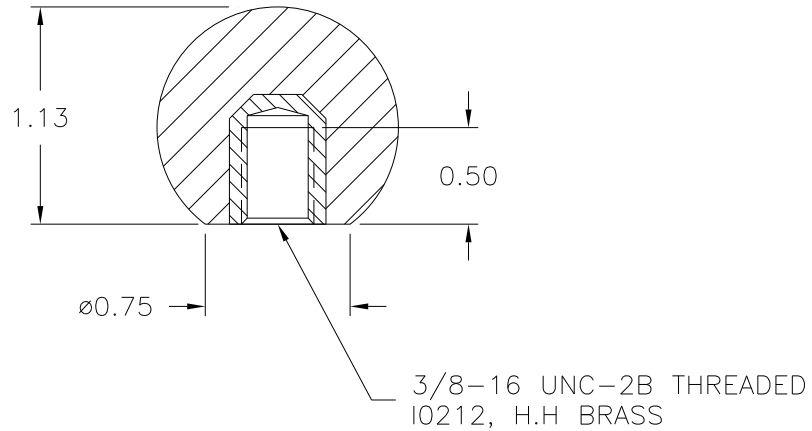
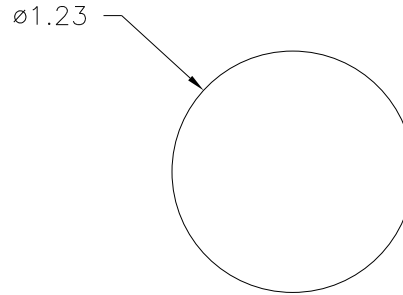
PART NAME: KNOB SCALE: 1:1 DATE: 02/23/2000 DRN. BY: JAM

THIS DRAWING IS THE PROPERTY OF DAVIES MOLDING COMPANY, IS SUBMITTED SOLELY AS A DESIGN OR ENGINEERING PROJECT.
WE ACCEPT NO RESPONSIBILITY WHATSOEVER FOR THE PRACTICAL APPLICATION OF THE PIECES MADE TO THIS DESIGN.



P/N 0014VC

UNIT IN PRESS	DH1 OR 2
F ^{NO} TOP	IR-14
F ^{NO} BOTTOM	IR-14
CAVITY	M-14
CORE	M-14
SLEEVE	0014
PIN	0014VC
INSERT	I0212



MATERIAL: POLYPROPYLENE (CLD)
COLOR: RED (6900)

TOLERANCES: UNLESS OTHERWISE SPECIFIED	DO NOT SCALE DRAWING	—	COMPLETED TOOLING BOX	TS	10/2/2001
DECIMALS: X.XXX ± .005 X.XX ± .015	MM: X.XX ± 0.15MM X.X ± 0.4MM	—	ADDED TOOLING TO BOX	TS	3/21/2001
FRACTIONS ± 1/64	ANG. ± 1°	—	ORIGINAL DRAWN BY	TL	6/16/99
CHANGES					

