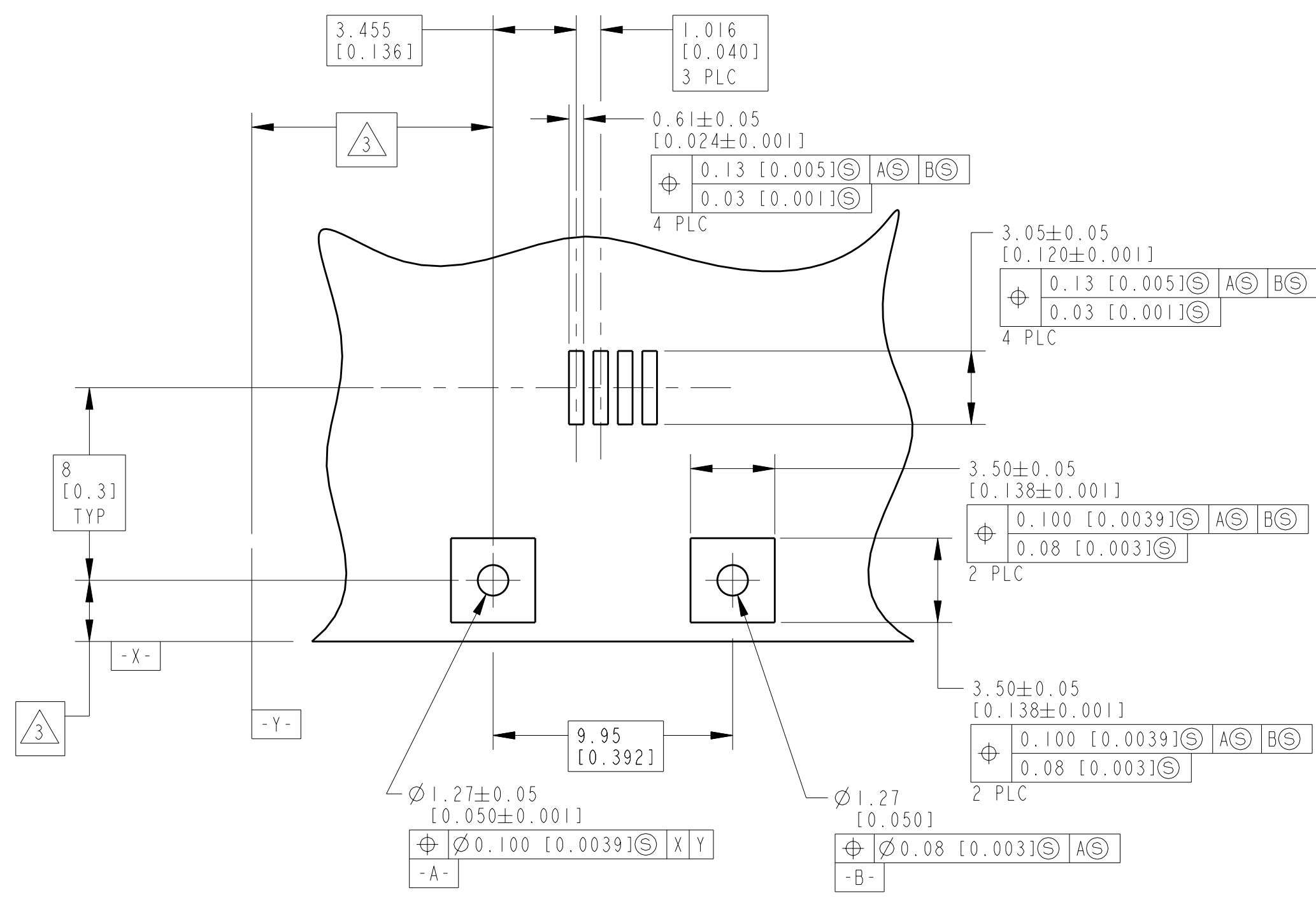
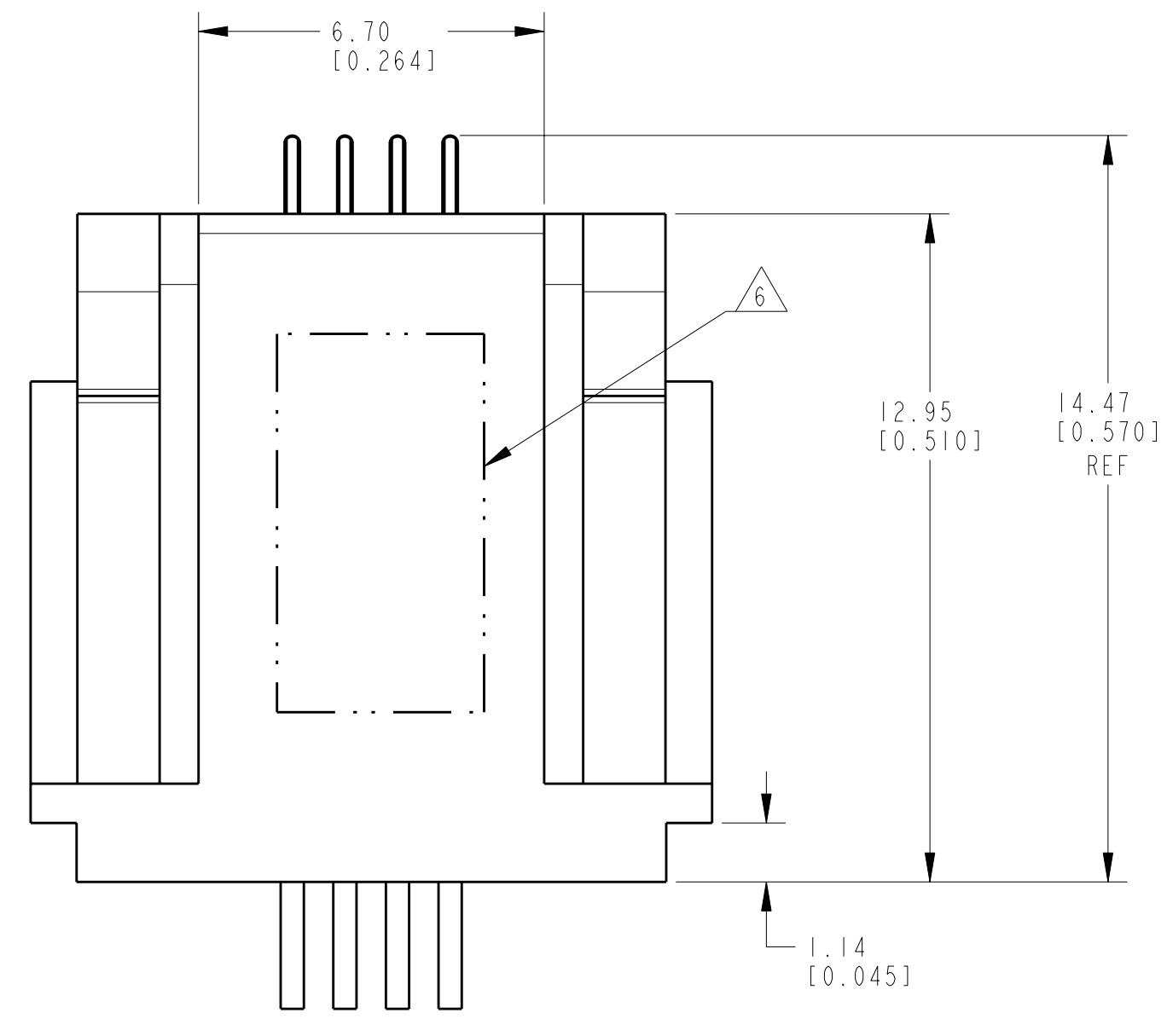


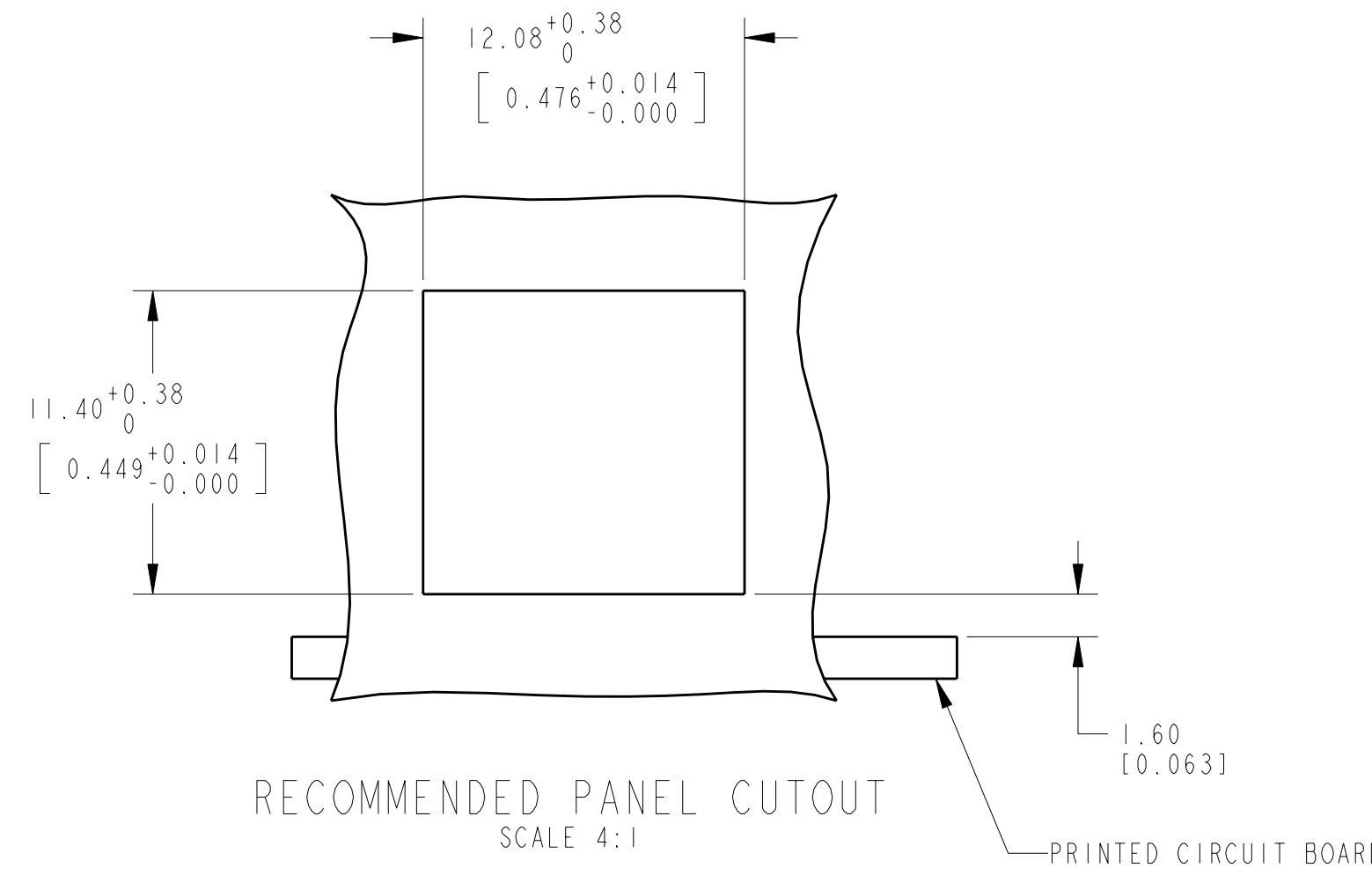
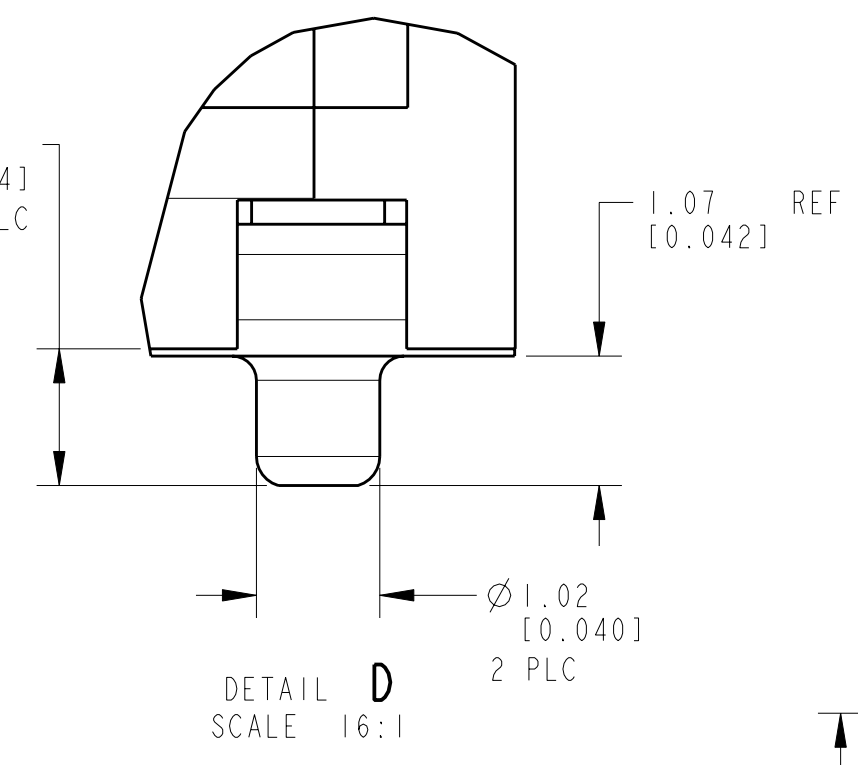
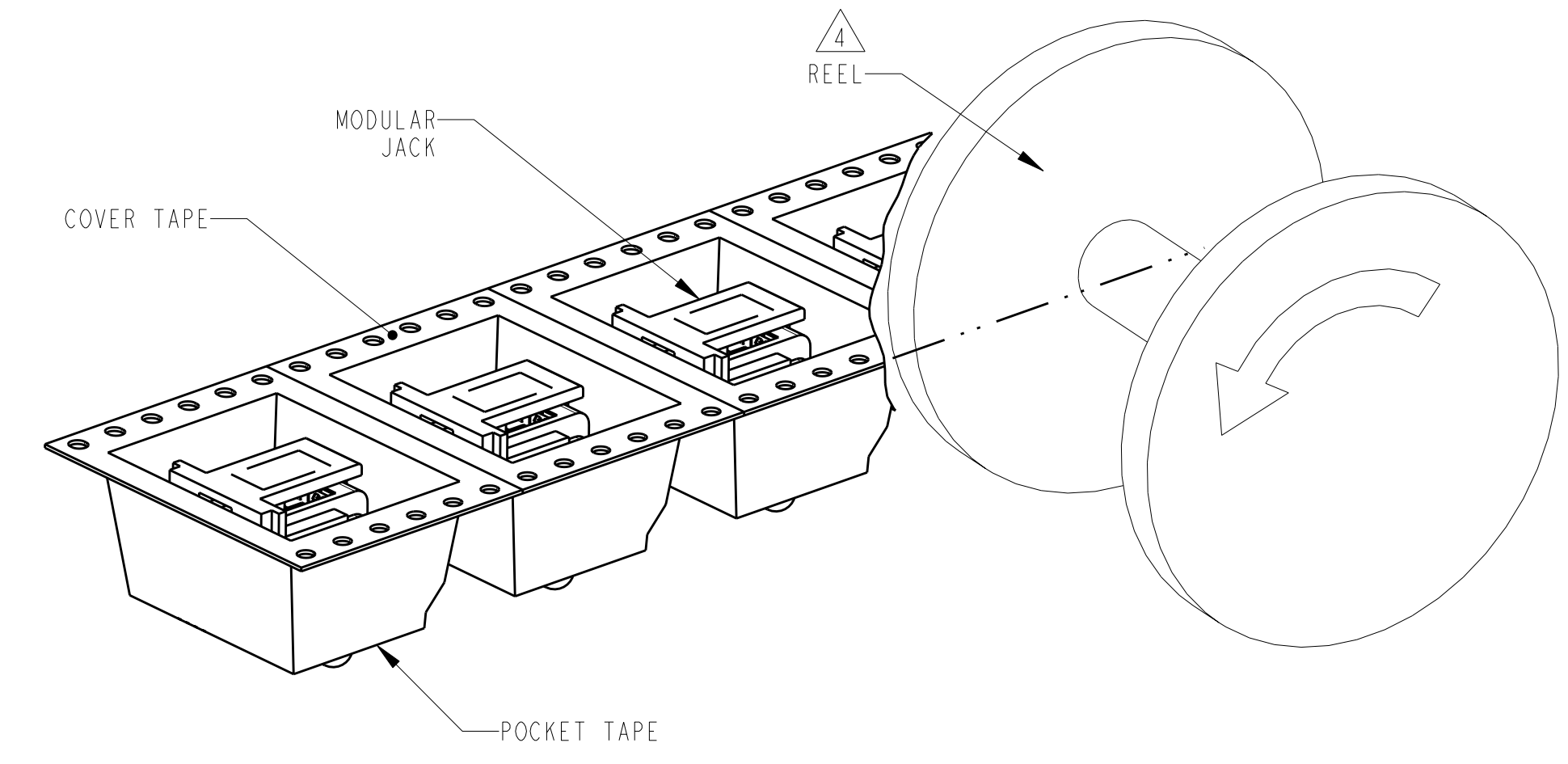
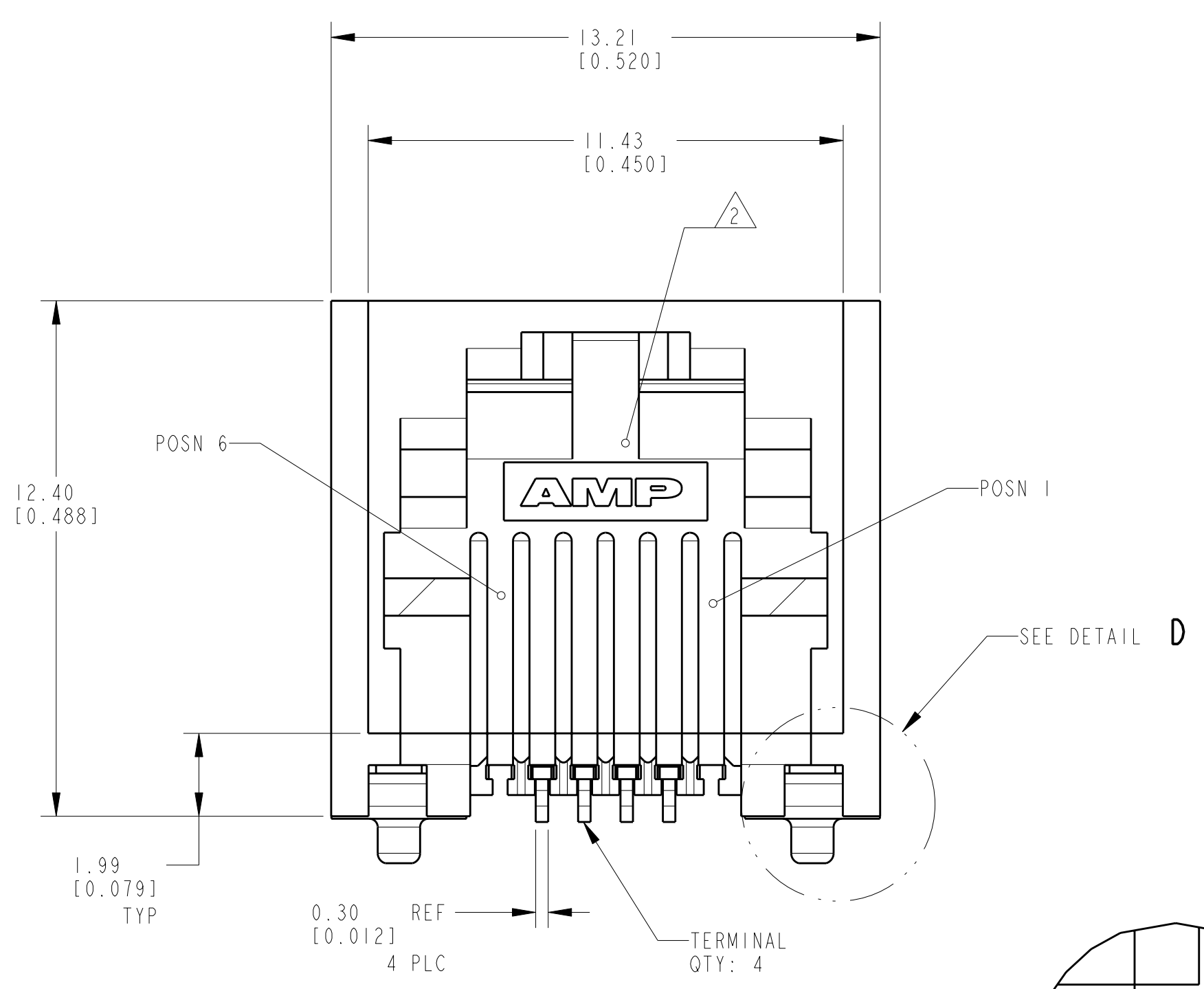
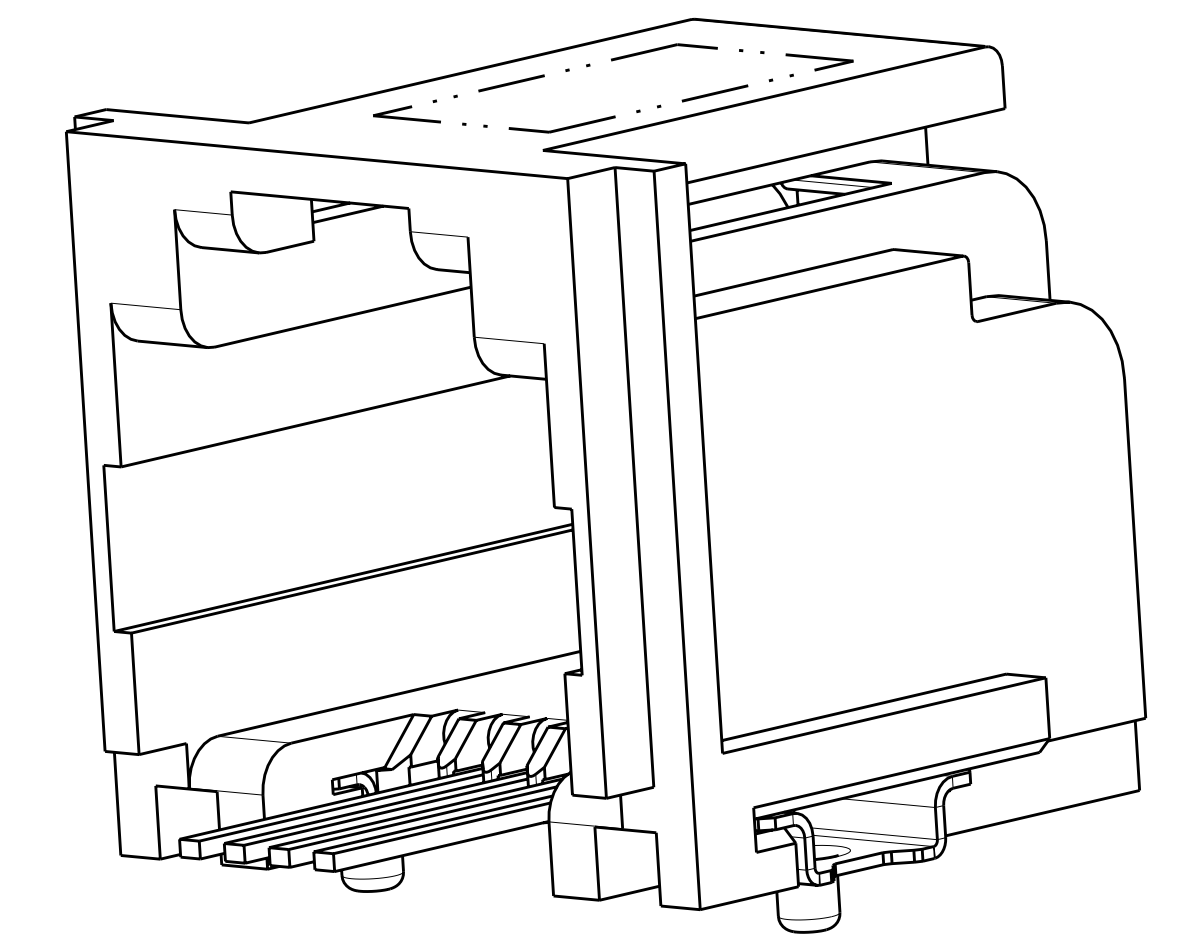
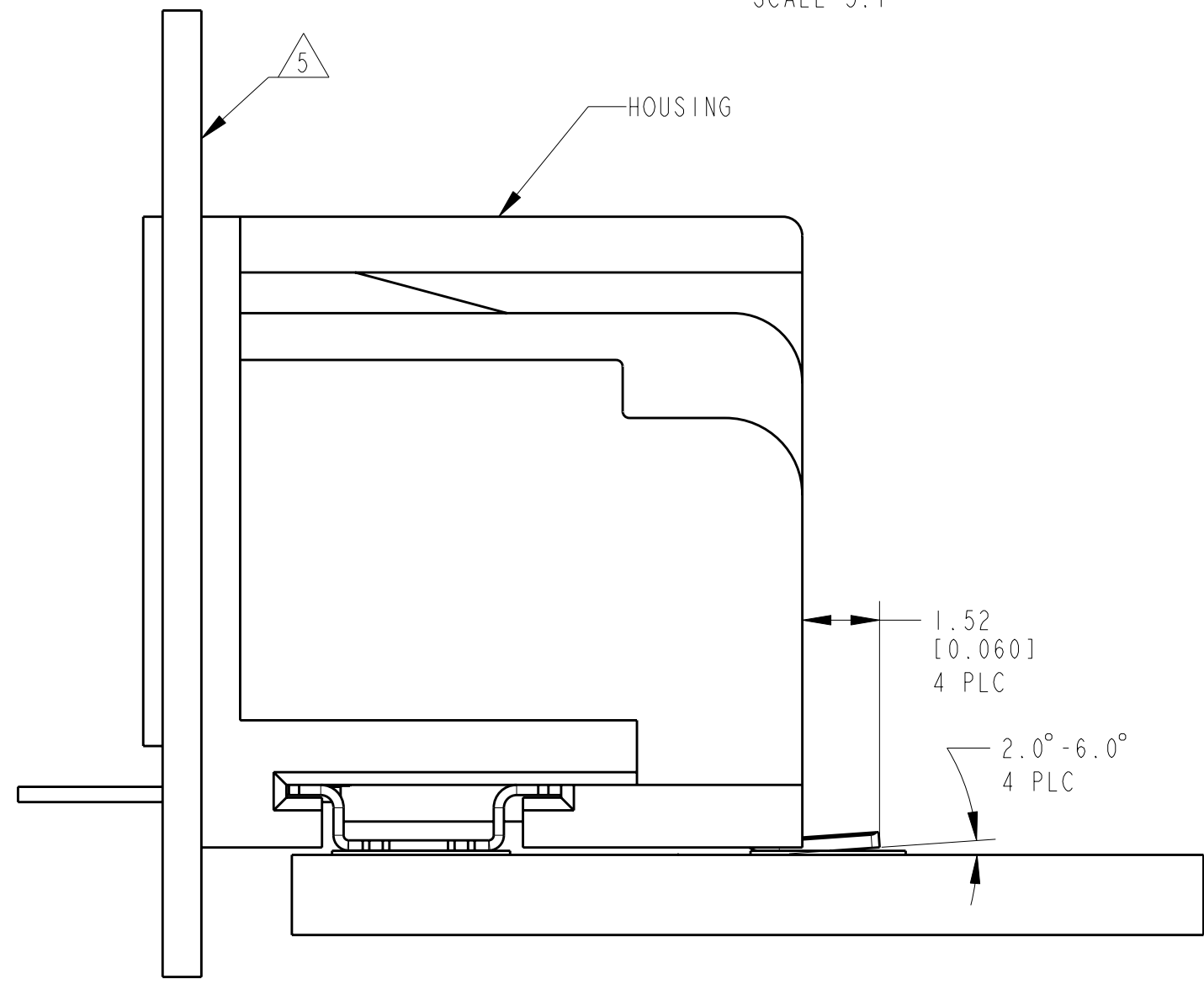
LOC	DIST	REV	DATE	BY	APPD
AA	22				

REV	DESCRIPTION	DATE	BY	APPD
A	REV PER ECOS11-0201-04	29-07-05	GA	SF
B	ECO-06-025366	06-11-06	LAM	JW
C	ECO-07-000895	17-01-07	LAM	JW
C1	ECR-08-013498	31-10-08	AEG	WRV

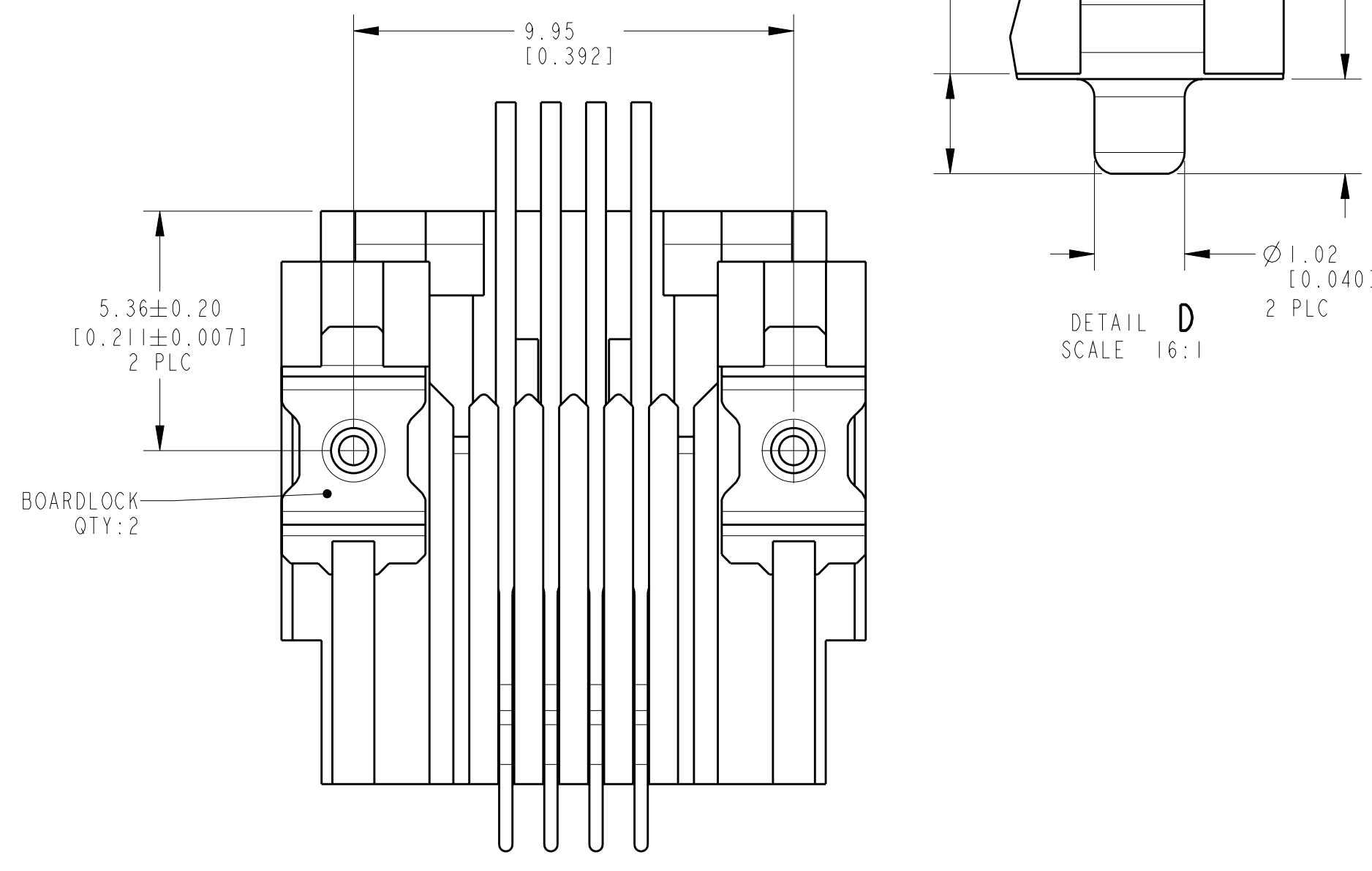


- △ MATERIAL:
 HOUSING - HIGH TEMPERATURE THERMOPLASTIC, COLOR - PER PART NUMBER TABLE.
 TERMINALS - 0.31 [0.012] THICK COPPER ALLOY PLATED WITH
 (SEE TABLE) MINIMUM GOLD IN LOCALIZED GOLD PLATE AREA,
 2.5 μm [0.000100] MINIMUM MATTE TIN ON TERMINATION END, BOTH OVER
 1.27 μm [0.00050] MINIMUM NICKEL OVER ENTIRE TERMINAL.
 BOARDLOCK - PHOS BRONZE, 1/2 HARD, 3.81 μm [0.000150]
 MINIMUM MATTE TIN OVER 1.27 μm [0.00050] MINIMUM NICKEL ON TERMINAL END.
- △ 2 JACK CAVITY CONFORMS TO FCC 47 RULES AND REGULATIONS,
 PART 68 SUBPART F.
- △ 3 DATUM ESTABLISHED BY CUSTOMER.
- △ 4 PACKAGING TAPE AND REEL: (PER EIA 481 SPEC)
 32mm WIDE TAPE
 24mm POCKET PITCH
 560mm REEL DIA
 600 PIECES PER REEL
- △ 5 CONNECTOR SHOULD BE POSITIONED THROUGH PANEL
 CUTOUT AS SHOWN TO SUPPORT TOP OF MODULAR JACK FOR
 STRAIN RELIEF
- △ 6 MANUFACTURING DATE CODE LOCATED APPROXIMATELY AS SHOWN.
 FIRST 2 DIGITS ARE YEAR, SECOND 2 DIGITS ARE WORK WEEK, AND LAST
 DIGIT IS THE DAY OF THE WEEK

RECOMMENDED PRINTED
 CIRCUIT BOARD LAYOUT
 COMPONENT SIDE
 SCALE 5:1



RECOMMENDED PANEL CUTOUT
 SCALE 4:1



OBSOLETE	MIN GOLD THICKNESS	COLOR	PART NUMBER
	0.76 μm [0.00030]	GREEN	1-5406545-4
	0.76 μm [0.00030]	BLACK	1-5406545-3
	0.76 μm [0.00030]	GRAY	1-5406545-1
OBSOLETE	1.27 μm [0.00050]	GREEN	5406545-4
	1.27 μm [0.00050]	BLACK	5406545-3
	1.27 μm [0.00050]	GRAY	5406545-1

DIMENSIONS: mm [INCHES]		TOLERANCES UNLESS OTHERWISE SPECIFIED:		DWN GS ATTADIA 29 JUL 05 CHK J WESTMAN 29 JUL 05 APVD S FLICKINGER 29 JUL 05		Tyco Electronics Tyco Electronics Corporation 's-Hertogenbosch, Nederland	
9 PLC	±	9 PLC	±	PRODUCT SPEC	NAME MODULAR JACK ASSEMBLY, 1 PORT, 6/4 POSN, SURFACE MOUNT, RIGHT ANGLE, WITH INWARD BOARDLOCKS		
1 PLC	±	1 PLC	±0.13 [0.005]	APPLICATION SPEC	108-1689	SIZE	CAGE CODE DRAWING NO
5 PLC	±	5 PLC	±	WEIGHT	114-6040	SCALE	8:1
4 PLC	±	4 PLC	±	CUSTOMER DRAWING	AA 00779 C=5406545	SHEET	1 OF 1
2 PLC	±	2 PLC	±			REV	C1