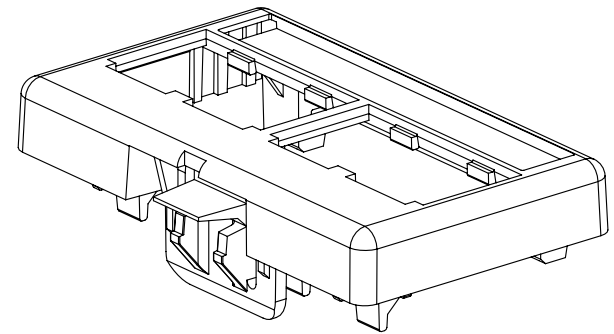
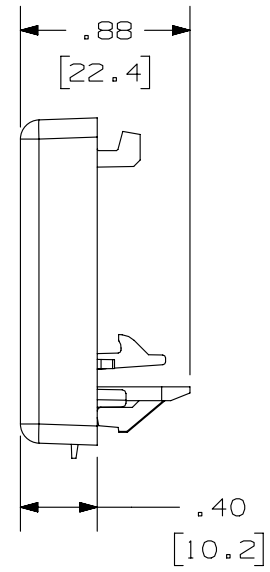
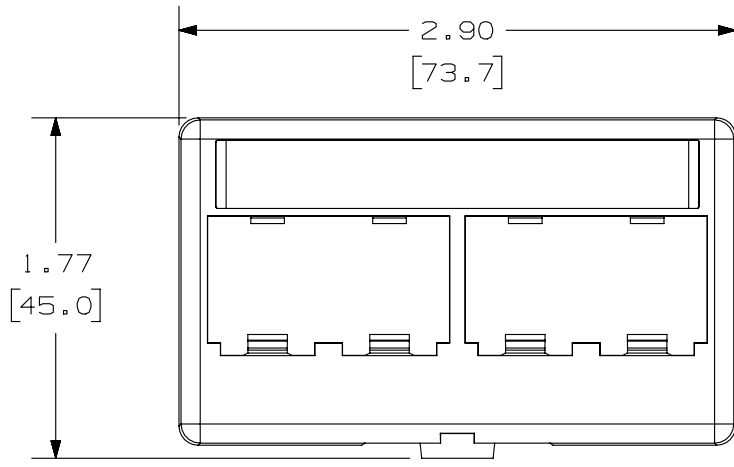


THIS COPY IS PROVIDED ON A RESTRICTED BASIS AND IS NOT TO BE USED IN ANY WAY DETRIMENTAL TO THE INTERESTS OF PANDUIT CORP.

PANDUIT P/N	WEIGHT
CFFPL4**	.24 LB/10 PCS (110.3 g/10 PCS)

NOTES:

1. SEE CURRENT CATALOG FOR ADDITIONAL PART NUMBER SUFFIXES TO INDICATE COLOR AND OR PACKAGE QUANTITY.
2. SEE CATALOG FOR COMPLETE LIST OF PARTS APPLICABLE FOR USE WITH THIS PART.
3. DIMENSIONS IN [] ARE IN METRIC.
4. FACEPLATE ACCEPTS 4 MINI-COM MODULES.
5. FACEPLATE COMES WITH LABEL AND LABEL COVER.
6. FACEPLATE SNAPS INTO STANDARD FURNITURE OPENING. (1.375 X 2.710) MAX PANEL THICKNESS: .09" [2.29MM].



PART NUMBER		CFFPL4**	
TITLE			
MINI-COM 4 POSITION FURNITURE FACEPLATE WITH LABEL COVER		CUSTOMER DRAWING	
ITEM REVISION NAME		M00719BC/10	
DATASET FILE NAME		M00719BC_DC/10A	
UNLESS OTHERWISE SPECIFIED, DIMENSIONAL TOLERANCES ARE: IN [mm]		MATERIAL:	
.x ± .xxx ± .010 [.3]		ABS	
.xx ± .03 [.8] ANGLES ±		DRAWING NUMBER:	
THIRD ANGLE PROJECTION		00719-02	
DRAWN BY	DATE	CHK	SCALE
JSP	8-11-99	MECA	NONE
SHT 1 OF 1			SIZE
			A

REV	DATE	BY	CHK	APR	DESCRIPTION	ECN
4	3/19/14	JSP	REFR	MMR	REVISED AND REDRAWN, PREVIOUS REVISIONS HAVE BEEN OMITTED.	00719-02

D10100DA/14