

Power Inductors / Wire Wound type Discontinued

Series: **G**
 Type: **ELLSFG-A**



■ Features

- Magnetic shielded structure
- Low DC resistance and large current capability
- Shock resistant
- RoHS compliant

■ Recommended Applications

- DC-DC converter circuitry for computer peripherals and cellular phones.
- Chopper circuit decoupling chokes for DC-DC converter circuitry.

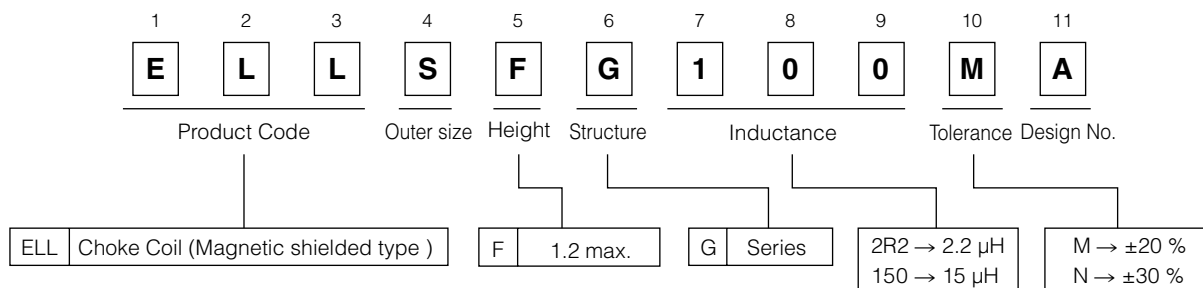
■ Standard Packing Quantity

- 2000 pcs./Reel

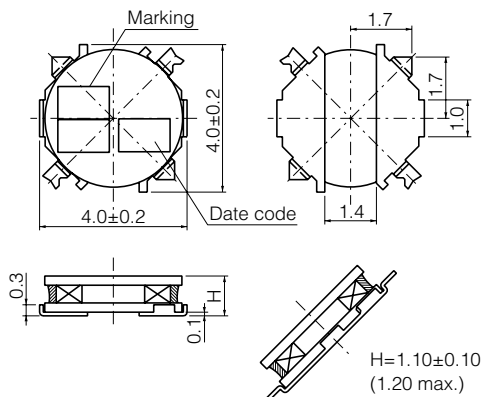
■ Soldering Conditions and Safety Precautions

Please see Data Files

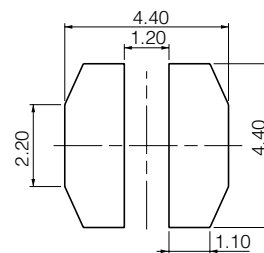
■ Explanation of Part Numbers



■ Dimensions in mm (not to scale)



■ Recommended land patterns in mm (not to scale)

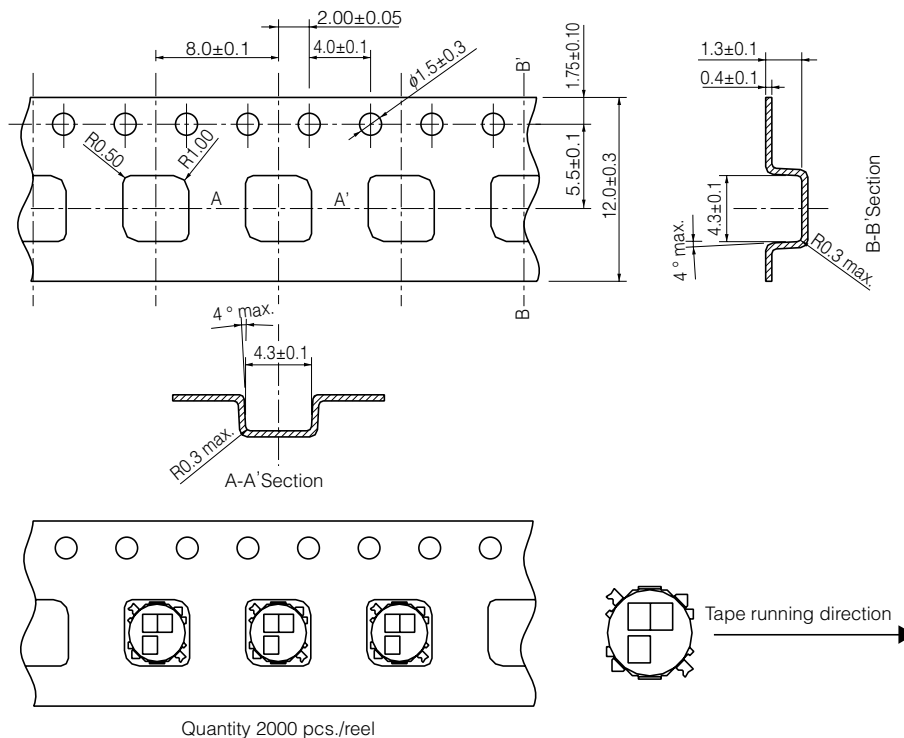


Standard Parts

| Part Number | Inductance (100 kHz) | | R _{DC} (at 20 °C) | | Saturation Rated Current* ¹ (mA max.) | Temperature Rise Current* ² (mA max.) | Marking |
|-------------|-------------------------|-------|-------------------------------|-------|--|--|---------|
| | (μH) | Tol. | (mΩ) | Tol. | | | |
| ELLSFG1R0NA | 1.0 | ±30 % | 49 | ±20 % | 1800 | 1700 | 01 |
| ELLSFG1R2NA | 1.2 | | 58 | | 1700 | 1550 | 03 |
| ELLSFG2R2NA | 2.2 | | 79 | | 1300 | 1350 | 11 |
| ELLSFG3R3NA | 3.3 | | 110 | | 1100 | 1150 | 16 |
| ELLSFG4R7NA | 4.7 | | 130 | | 1000 | 1100 | 21 |
| ELLSFG6R8NA | 6.8 | | 180 | | 800 | 950 | 26 |
| ELLSFG100MA | 10.0 | ±20 % | 230 | | 740 | 800 | 31 |
| ELLSFG150MA | 15.0 | | 390 | | 500 | 650 | 33 |
| ELLSFG220MA | 22.0 | | 520 | | 470 | 580 | 36 |
| ELLSFG330MA | 33.0 | | 860 | | 350 | 410 | 39 |
| ELLSFG470MA | 47.0 | | 1150 | | 300 | 350 | 51 |
| ELLSFG560MA | 56.0 | | 1300 | | 290 | 330 | 52 |
| ELLSFG680MA | 68.0 | | 1500 | | 270 | 310 | 53 |
| ELLSFG820MA | 82.0 | | 2000 | | 220 | 270 | 55 |
| ELLSFG101MA | 100.0 | | 2400 | | 210 | 240 | 56 |
| ELLSFG121MA | 120.0 | | 3100 | | 200 | 210 | 57 |
| ELLSFG151MA | 150.0 | | 3800 | | 190 | 190 | 59 |
| ELLSFG181MA | 180.0 | | 4300 | | 180 | 180 | 65 |
| ELLSFG221MA | 220.0 | | 6700 | | 140 | 145 | 66 |
| ELLSFG331MA | 330.0 | | 8900 | | 130 | 128 | 69 |
| ELLSFG471MA | 470.0 | 12300 | 100 | 110 | 71 | | |

*1 Saturation Rated Current : This DC current which causes a 30 % inductance reduction from its nominal value.
 *2 Temperature Rise Current : This indicates the value of current when temperature rise dt/t= 40 °C (at 20 °C).

Embossed Carrier Tape Dimensions in mm (not to scale)



Design and specifications are each subject to change without notice. Ask factory for the current technical specifications before purchase and/or use. Should a safety concern arise regarding this product, please be sure to contact us immediately.