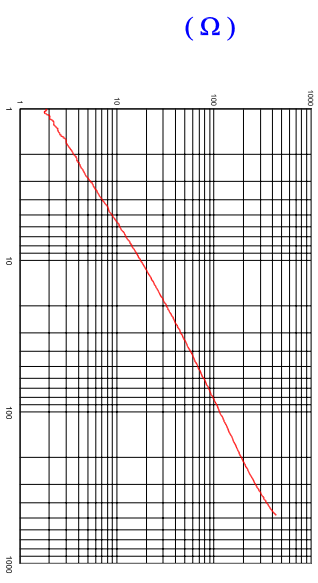
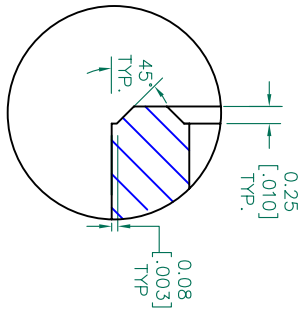


IMPEDANCE (Z)				
Frequency	25 MHz	100 MHz	300 MHz	
Nominal (REF)	40 Ω	115 Ω	263 Ω	
Minimum	- Ω	92 Ω	- Ω	

Z vs. FREQUENCY
(REF. ONLY)



UNCONTROLLED DOCUMENT



FERRITE CORE DIMENSIONS (SPEC):mm[Inches]

A	23.00	[.906]	+ 0.70	[.027]
B	20.00	[.787]	+ 0.50	[.020]
C	12.00	[.472]	+ 0.50	[.020]
D	3.00	[.118]	+ 0.40	[.016]
E	0.70	[.028]	+ 0.25	[.010]

WEIGHT/1000 3.11 kgs [6.85 Lbs]

DIMENSIONS ARE IN mm [INCHES]

SCALE DRAWING 1:1



28R0906-000

REV	DESCRIPTION	DATE	INT	DATE	INT
A	ORIGINAL DRAFT	11/01/09	Jccl		

PROJECT/PART NUMBER:		28R0906-000	
DATE:	11/01/09	SCALE:	3:1
CAD #	28R0906-000-A	TOOL #	R0906

REV	A	PART TYPE:	FERRITE RIBBON CORE	DRAWN BY:	Jccl
MATERIAL:	Ferrite				

This print is the property of Laird Tech. and is loaned in confidence subject to return upon request and with the understanding that no copies shall be made without the written consent of Laird Tech. All rights to design or invention are reserved.

