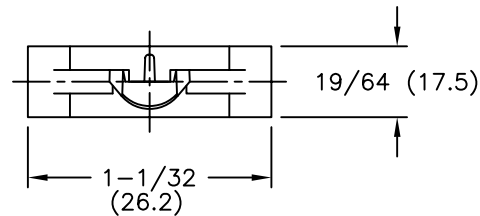
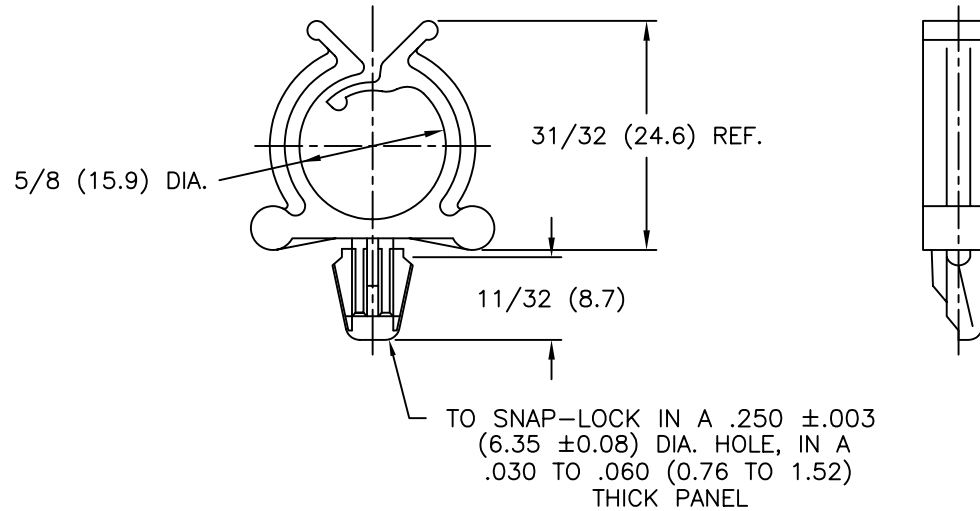


MATERIAL:	NYLON 6/6 (RMS-01)	NYLON 6/6 (RMS-01)	FLAME RETARDANT NYLON (RMS-19)
COLOR:	NATURAL	BLACK	NATURAL
PART NO.:	RWS-10-01	RWS-10-01BK	RWS-10-19



TITLE: ROUND WIRE SADDLE				DWG IN IN (MM)	
TOLERANCES UNLESS NOTED .XX=±.010 .XXX=±.005 FRAC=±1/64 ANG=±1°	FILE # RWS-10	DWN: P.B.	APP:	FINAL	
	MAT'L: NYLON 66, NATURAL	DT: 05-06-94	DT:	PART #	PRINT TYPE
	RE: RICHCO, INC.	RICHCO INC. PO BOX 804238, CHICAGO, 60680 (773) 539-4060		SEE TABLE	CA
C	ADDED TABLE & EDITED SNAP LOCK NOTE	SJ 07.19.02			
B	CHANGED FILE NO. AND TITLE BLOCK	SM 05.30.01			
A	COLOR NATURAL WAS BLACK	PB 050694			
REV	DESCRIPTION	ENGR DATE			