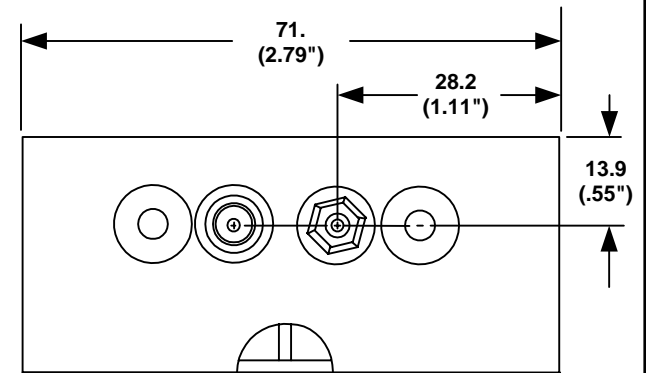
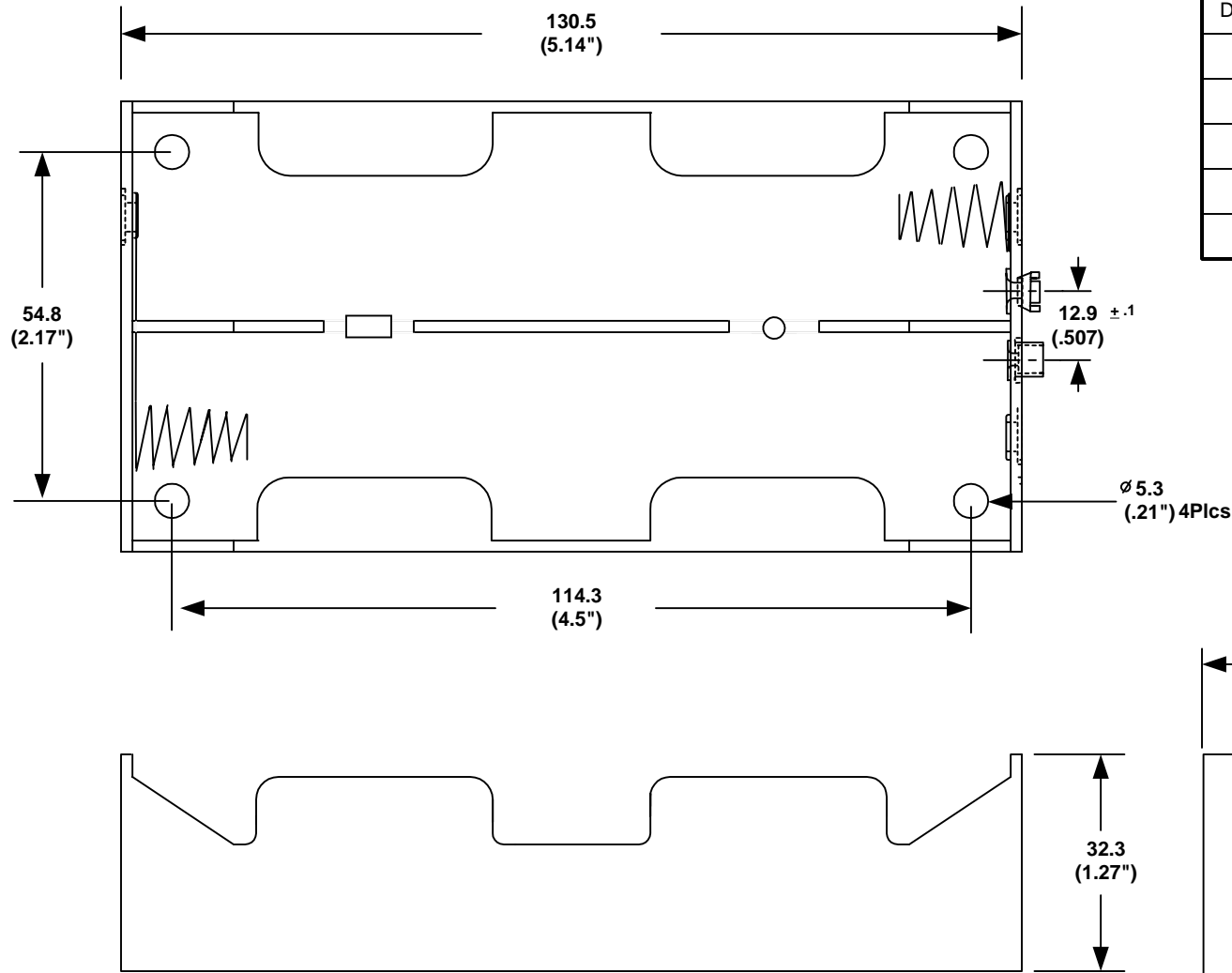


DATE	SYM	REVISION RECORD	AUTH	DR.	CK.



9 VOLT TYPE SNAPS SHOWN ABOVE


ORDERING CODE BH24D

SPECIFICATIONS:

- Plastic material - polypropylene
- Springs - nickel plated spring steel
- Wire - 152.4 mm Ref.Long 26 AWG, UL1007, CSA - TR-64, 300V, 80 C.
- Rivets - Brass, nickel plated
- 9 Volts Snaps - Brass, nickel plated

SOLDER LUGS	= L
(6") WIRE LEADS	= W
9VOLT TYPE SNAPS	= SF
BUMP PLATES	= B

Note: Dimensions in mm. (inches)

TOLERANCES (EXCEPT AS NOTED)		 Memory Protection Devices, Inc. 200 Broad Hollow Road, Farmingdale, New York 11735	
DECIMAL			
+ .5 (.020")			APPROVED BY
FRACTIONAL	TITLE	FOUR "D" CELL HOLDER	
+ .8 (.030")			
ANGULAR	DATE	DRAWING NUMBER	
+ 3°	08/28/2000	BH24DSF	