



**Technical specification :**

Rated voltage: 4/3pos  
IEC 61076-2-104 60 V

Current rating: 3 A at 40°C  
IEC 61076-2-104

Insulation resistance: >=100 MΩ  
IEC 60512

Pollution degree: 3/2  
IEC 60664-1

Degree of protection: IP 67, in mated condition  
IEC 60529

Temperature range: -30°C ... +80°C  
IEC 60664-1

Mating cycles: >=100  
IEC 60512-9a

**Materials:**

Contact: CuZn

Contact plating: Nickel, gold plated

Contact carrier: TPU GF, UL 94

Sealing: FPM

Coupling nut/ screw: GD-Zn, nickel plated

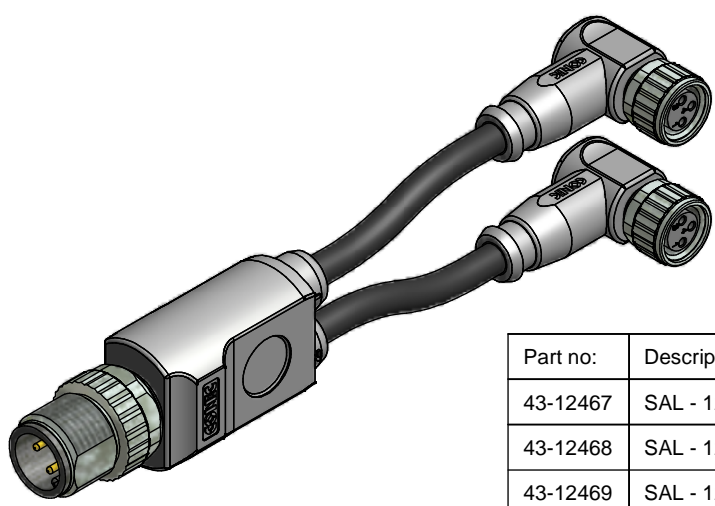
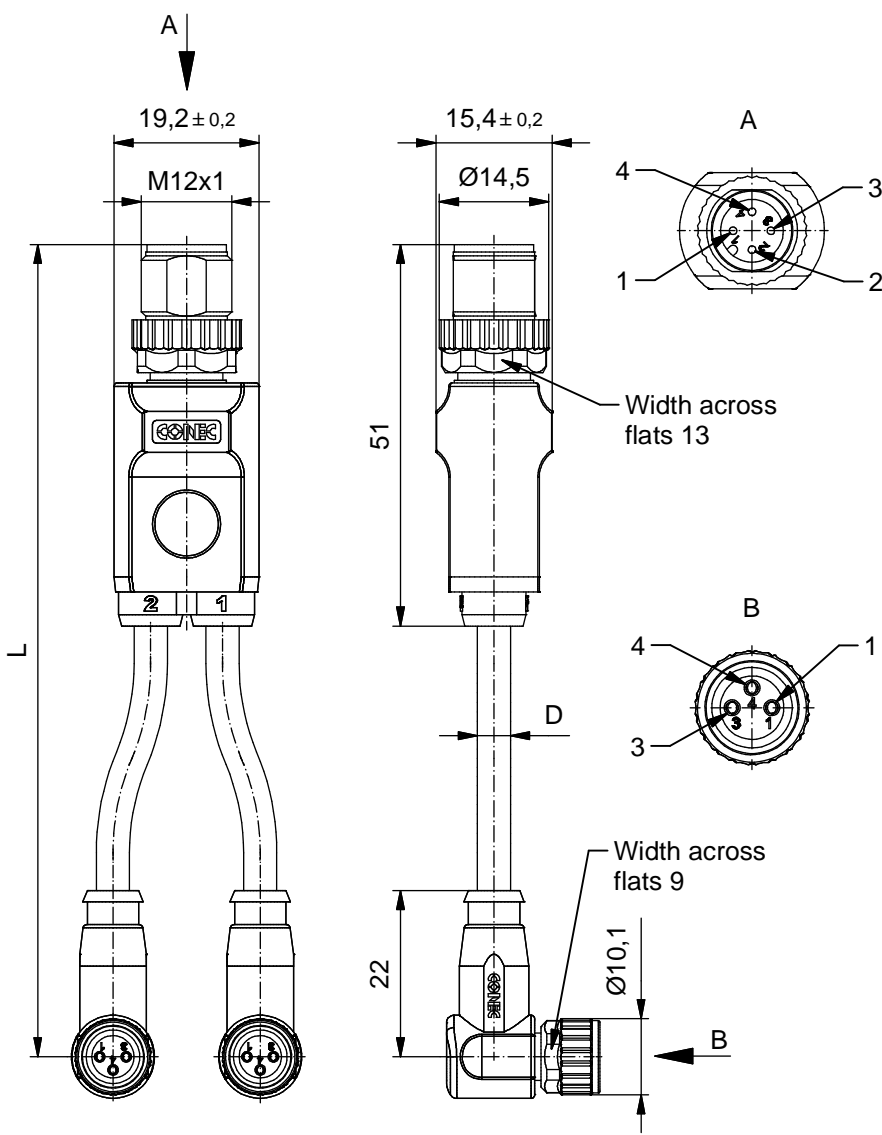
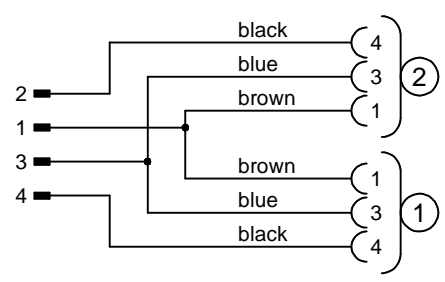
Moulding body: TPU, UL 94, grey

**Installation specification:**

Recommended torque: 0,6 Nm at width across flats 13  
0,4 Nm at width across flats 9

Conec installation tool: Torque wrench: 36-000200  
Insert across flats 13: 36-000220  
Insert across flats 9: 36-000210

**Contact assignment 4/3pos:**



Part no:	Description:	Length L:	Cable:
43-12467	SAL - 12 - DS4 - 8 - 2RKW3 - 0,3 / 0,3 / K1	0,3m	TPE, UL 20549, black, 3x0,25mm <sup>2</sup> Cable: 781-K12300
43-12468	SAL - 12 - DS4 - 8 - 2RKW3 - 0,6 / 0,6 / K1	0,6m	
43-12469	SAL - 12 - DS4 - 8 - 2RKW3 - 1,5 / 1,5 / K1	1,5m	
43-12470	SAL - 12 - DS4 - 8 - 2RKW3 - 3 / 3 / K1	3,0m	
43-xxxxx	SAL - 12 - DS4 - 8 - 2RKW3 - ... / ... / K1	x	

D see data sheet cable

DO NOT ALTER CAD DRAWING BY HAND Directive 2002/95/EC RoHS compliant	Index: c 17.08.11 VF Ä3767 Coupling nut/ screw modified, spanner flats added, data sheet modified	dim. in mm	title: <b>Duo-distributor, male connector M12x1 axial - 2x female connector M8x1 angled</b>
		date name	
	tolerance of cable: L ≤ 4m: L + 40mm L > 4m: L + 1%	drawn 22.10.08 Mankopf	dwg no:
	general tolerance: 0 ± 0,50mm 0,0 ± 0,25mm 0,00 ± 0,10mm	appd. 22.10.08 Fromm	<b>43K1A789</b>
	THIS DRAWING MAY NOT BE COPIED OR REPRODUCED IN ANY WAY, AND MAY NOT BE PASSED ON TO A THIRD PARTY WITHOUT WRITTEN PERMISSION. OWNERSHIP AND COPYRIGHT OF CONEC GmbH		

