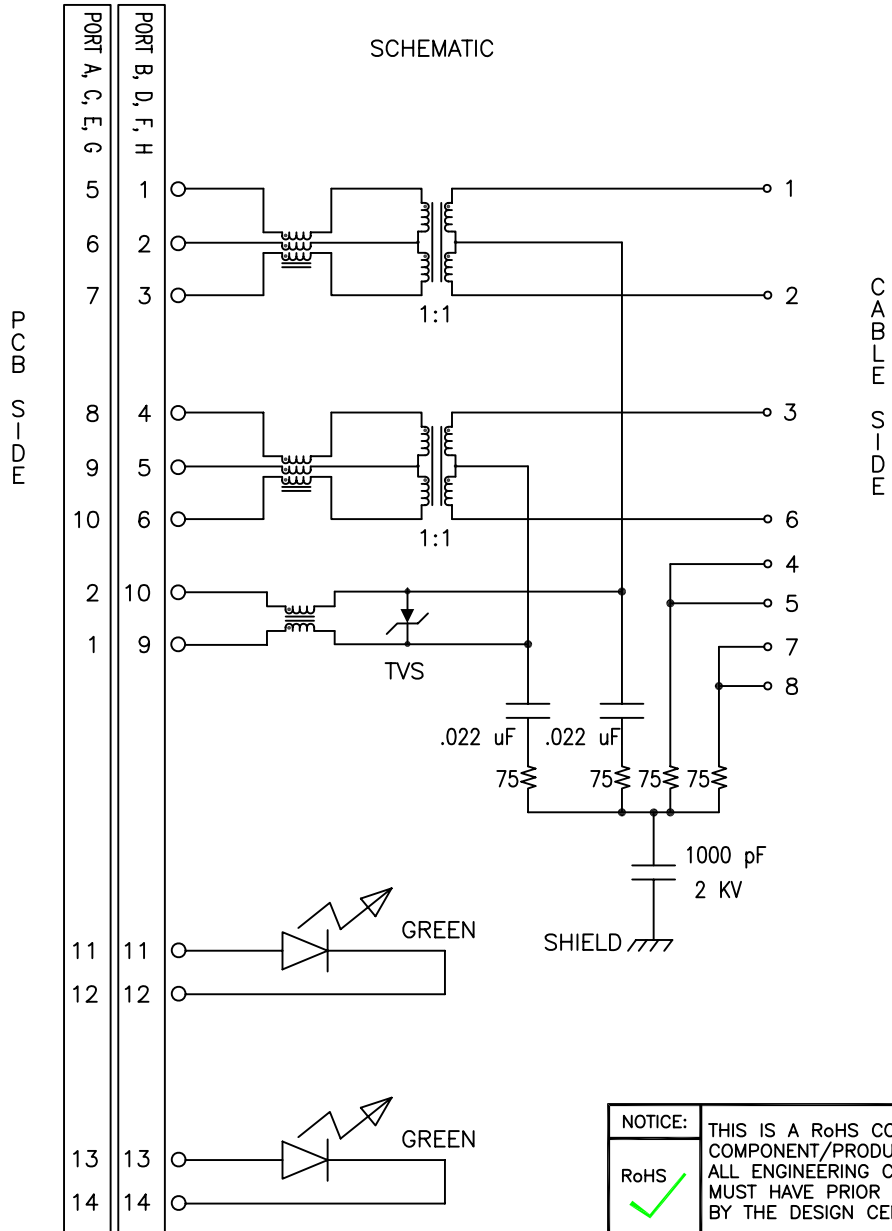


JG0-0051NL

NOTICE: THE INFORMATION AND DESIGN CONTAINED HEREIN IS THE PROPERTY OF PULSE WHO RESERVES ALL RIGHTS THERETO.

SCHEMATIC



ELECTRICAL CHARACTERISTICS AT +25°C UNLESS OTHER SPECIFIED (FOR REFERENCE ONLY. USED FOR CUSTOMER INFORMATION.)

PARAMETER	SPECIFICATIONS	
	100 KHz	1-125 MHz
INSERTION LOSS	-1.2 dB MAX	$-0.2-0.002*f^{1.4}$ dB MAX
RETURN LOSS ($Z_{out} = 100 \text{ OHM} \pm 25\%$)	.1-30 MHz	30-60 MHz
	-16 dB MIN	$-10+20*\text{LOG}_{10}(f/60 \text{ MHz})$ dB MIN
INDUCTANCE (OCL) (MEDIA SIDE, 0°C-70°C)	350 uH MIN (MEASURED AT 100 KHz, 100 mVRMS AND WITH 8 mA DC BIAS)	
CROSSTALK, ADJACENT CHANNELS	1 MHz	10-100 MHz
	-50 dB MIN	$-55+22*\text{LOG}_{10}(f/10)$ dB MIN
COMMON MODE REJECTION RATIO	2 MHz	30-200 MHz
	-50 dB MIN	$-15+20*\text{LOG}_{10}(f/200)$ dB MIN
INPUT - OUTPUT ISOLATION	1500 VRMS MIN @ 60 SECONDS	

NOTE: f IS FREQUENCY IN MHz.

EMMITTED COLOR	GREEN
WAVELENGTH (nm)	565 nM
BRIGHTNESS (mCD)	8 TO 12 TYP. @ 20mA
VIEWING ANGLE	100°
POWER DISSIPATION (Pd)	68 mW MAX
DC FORWARD CURRENT	25 mA MAX
REVERSE VOLTAGE (Vr)	5.0 V MAX

NOTICE: THIS IS A RoHS COMPLIANT COMPONENT/PRODUCT. ALL ENGINEERING CHANGES MUST HAVE PRIOR APPROVAL BY THE DESIGN CENTER.

RoHS

UNLESS OTHERWISE SPECIFIED, ALL DIMENSIONS ARE IN INCHES TOLERANCES ARE:

DECIMALS .XX ±.01 ANGLES ± 1°
.XXX ±.005

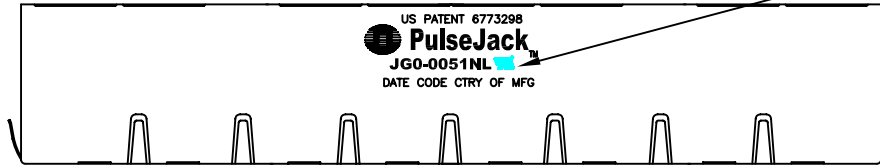
DO NOT SCALE DRAWING

SIZE	CAGE CODE	DWG. NO.	REV.
B01961		JG0-0051NL	X1
SCALE NONE	CADD FILE	JG0-0051NL-1	SHEET 1 OF 4

JGO-0051NL

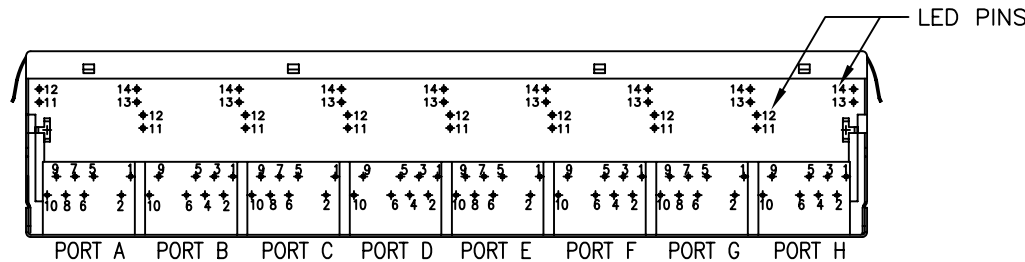
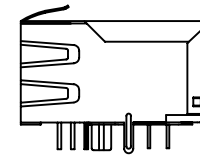
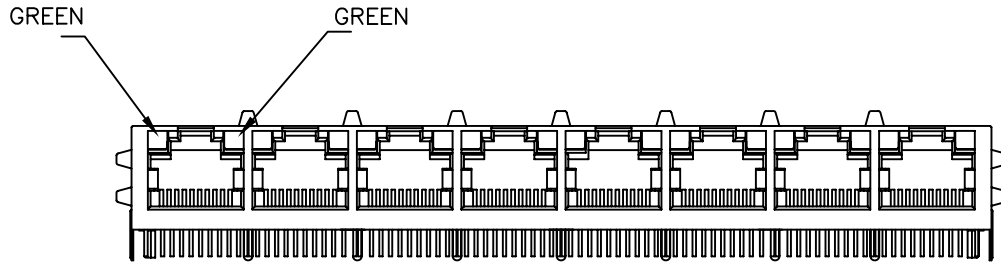
NOTICE: THE INFORMATION AND DESIGN CONTAINED HEREIN IS THE PROPERTY OF PULSE WHO RESERVES ALL RIGHTS THERETO.

FINAL OUTLINE NOTE:
CHECK DIMENSIONS PER PACKAGE SPECIFICATION ITEM 15.



FINAL OUTLINE

MARK PART WITH "UL MARK"
PER PROCEDURE ITEM 22.
MARK POSITION IS OPTIONAL
PREFERRED LOCATION IS
TOP OF THE PART.



PIN ASSIGNMENT
(BOTTOM VIEW)

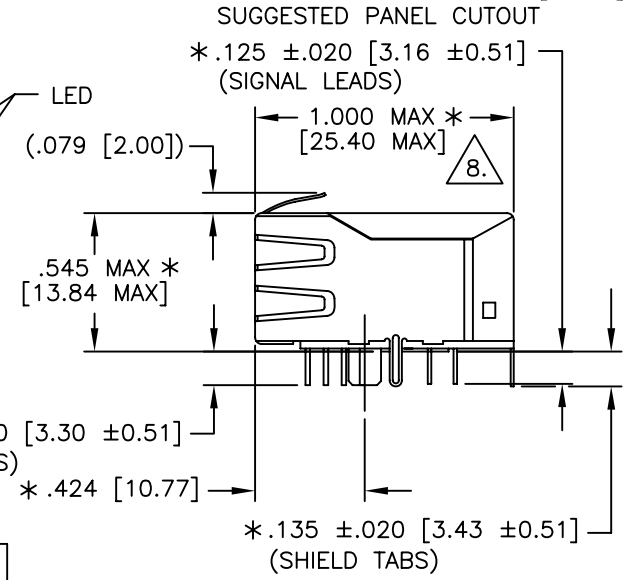
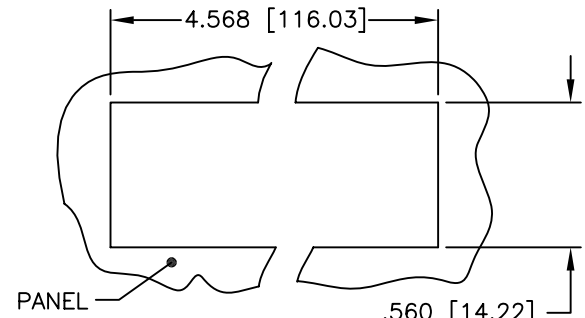
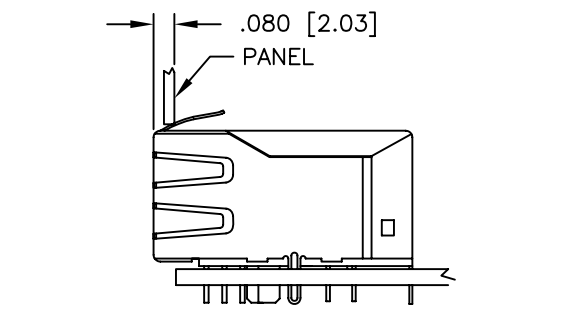
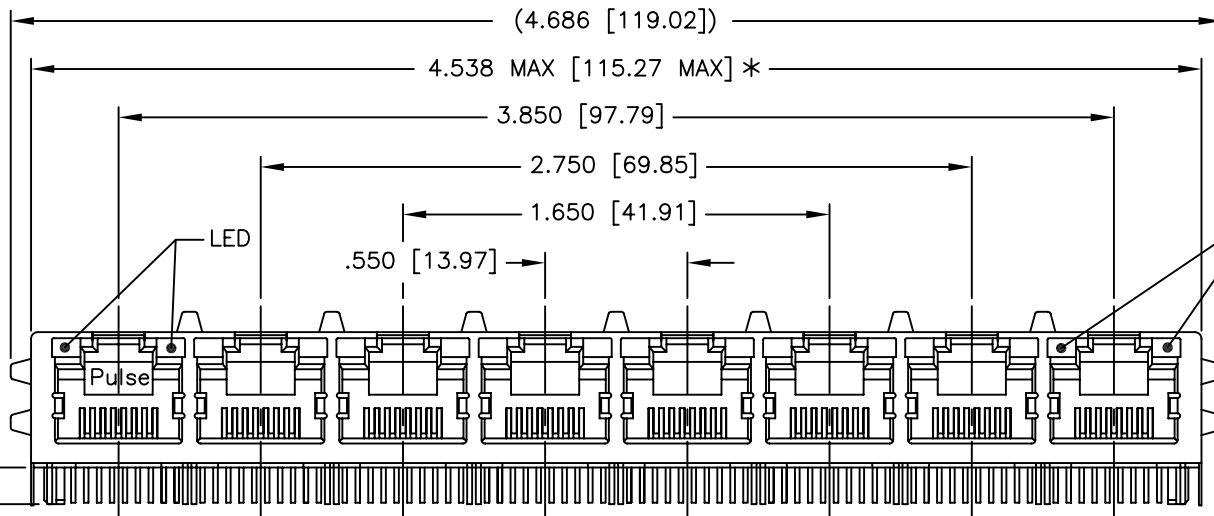
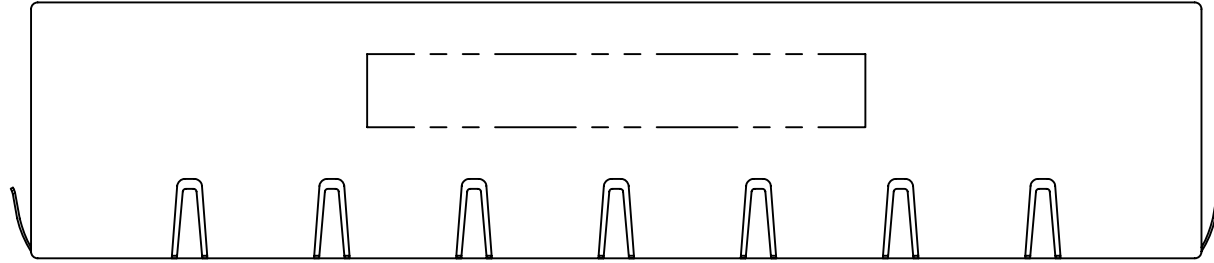
NOTES:
FOR PORT A, C, E AND G: PINS 3 AND 4 ARE REMOVED.
FOR PORT B, D, F AND H: PINS 7 AND 8 ARE REMOVED.

UNLESS OTHERWISE SPECIFIED, ALL DIMENSIONS ARE IN INCHES
TOLERANCES ARE:
DECIMALS ANGLES
.XX ±.01 ± 1°
.XXX ±.005
DO NOT SCALE DRAWING

SIZE	CAGE CODE	DWG. NO.	REV.
B01961		JGO-0051NL	X1
SCALE	CADD FILE	SHEET	2 OF 4
NONE	JGO-0051NL-2		

JG0-0051NL

NOTICE: THE INFORMATION AND DESIGN CONTAINED HEREIN IS THE PROPERTY OF PULSE WHO RESERVES ALL RIGHTS THERETO.



UNLESS OTHERWISE SPECIFIED, ALL DIMENSIONS ARE IN INCHES
TOLERANCES ARE:
DECIMALS ±.01
XX ±.01
XXX ±.005
ANGLES 3.
DO NOT SCALE DRAWING

SIZE	CAGE CODE	DWG. NO.	REV
SCALE	B01961	JG0-0051NL	X1
2/1	CADD FILE	JG0-0051NL-3	SHEET 3 OF 4

JGO-0051NL 4

NOTICE: THE INFORMATION AND DESIGN CONTAINED HEREIN IS THE PROPERTY OF PULSE WHO RESERVES ALL RIGHTS THERETO.

D

C

B

A

3

2

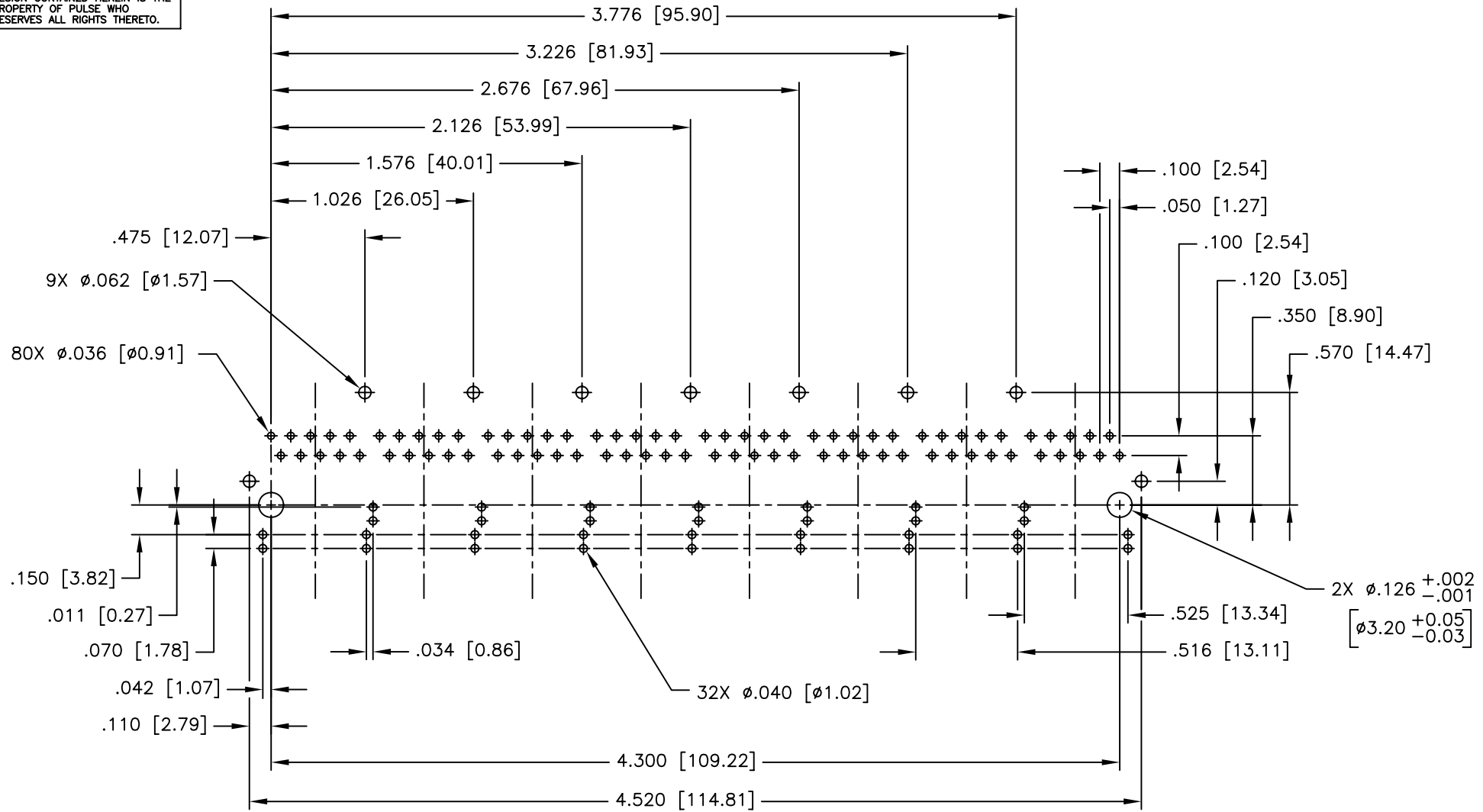
1

D

C

B

A



SUGGESTED FOOTPRINT (COMPONENT SIDE SHOWN)
 DIMENSIONAL TOLERANCE: (UNLESS OTHERWISE SPECIFIED)
 .XXX ±0.003 [X.XX ±0.08]

UNLESS OTHERWISE SPECIFIED, ALL DIMENSIONS ARE IN INCHES
 TOLERANCES ARE:
 DECIMALS
 .XX ±.01
 .XXX ±.005
 ANGLES
 4.
 DO NOT SCALE DRAWING

SIZE	CAGE CODE	DWG. NO.	REV
SCALE	B01961	JGO-0051NL	X1
2/1	CADD FILE	JGO-0051NL-4	SHEET 4 OF 4

4

3

2

1