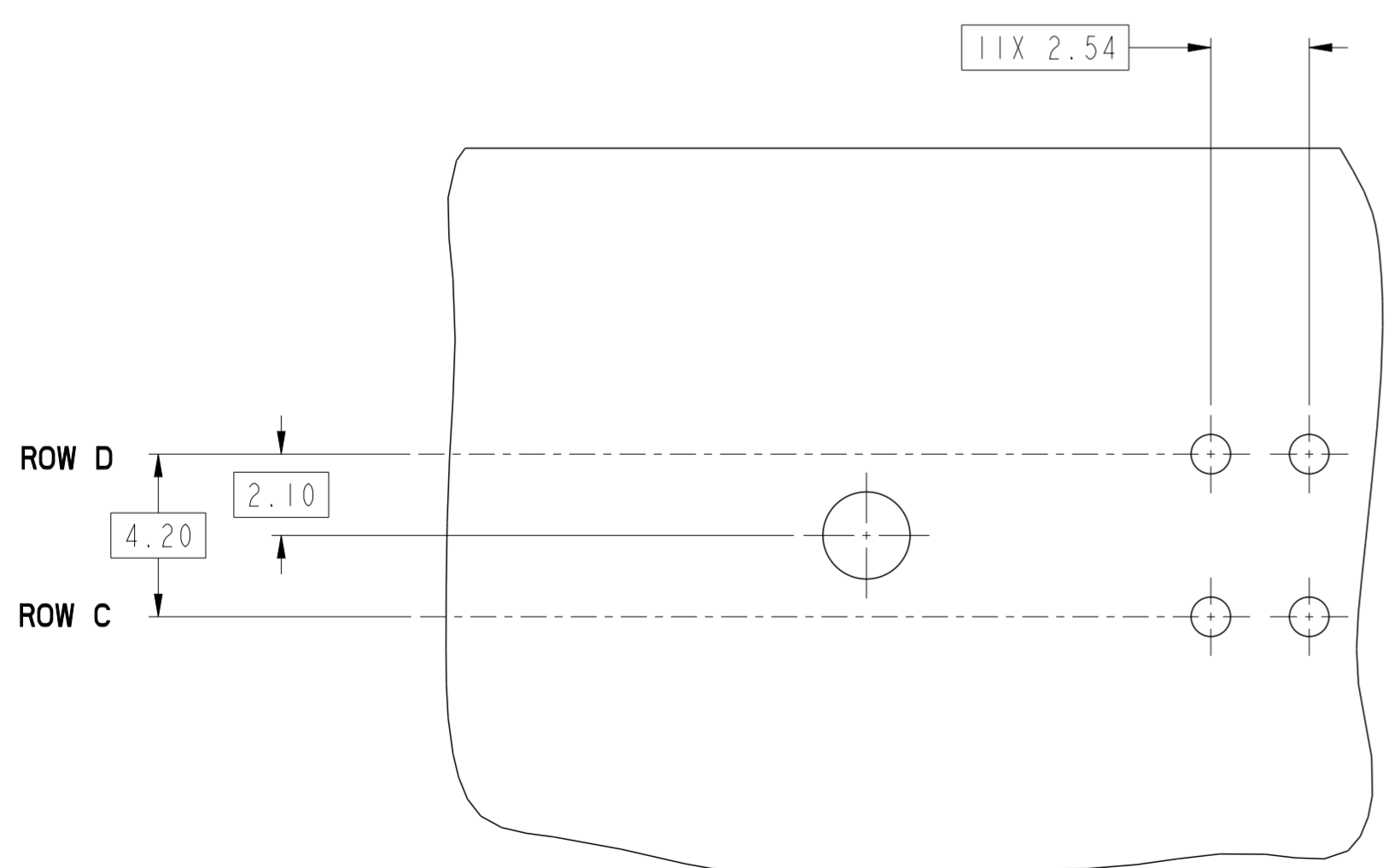
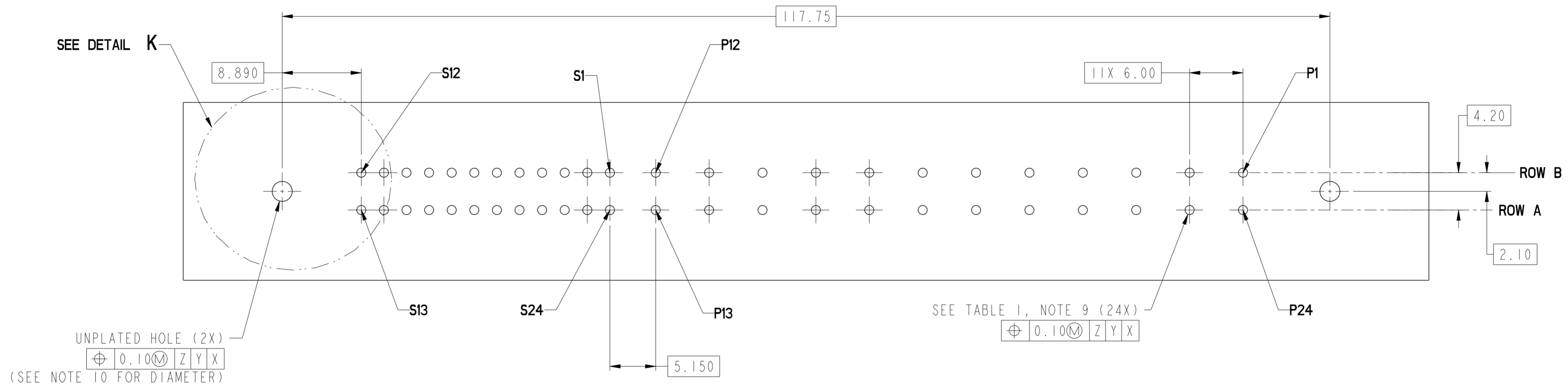


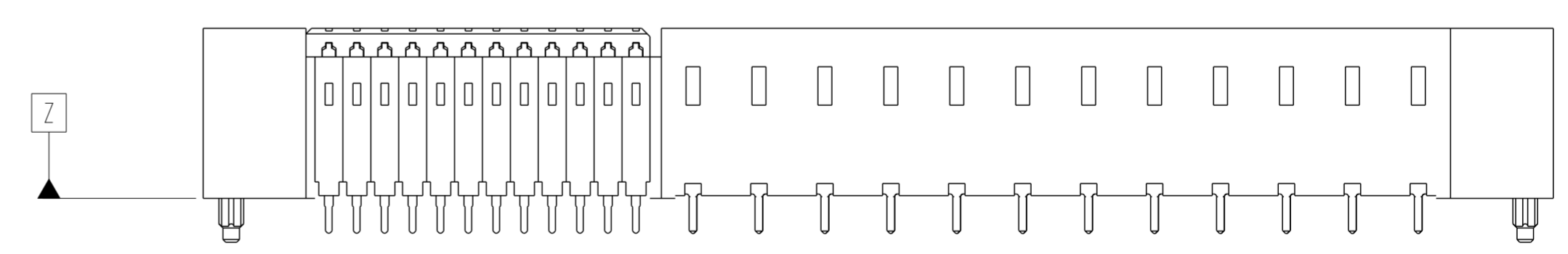
spec ref	-	dr	Steve Pressel	2012/07/09	projection	MM	size	A2	scale	3:1	
tolerance std	ASME Y14.5	eng	Liu Jenson	2014/04/22			ecn no	ELX-DG-17541-1			
TOLERANCES UNLESS OTHERWISE SPECIFIED		chr	Jon Qin	2014/04/25			rel level	Released			
surface	✓	appr	Collins Lu	2014/04/25			product family	HPCE		rel level	Released
linear	0.X ±0.3 0.XX ±0.10 0.XXX ±0.050	title	VERT HEADER (24LP - 24S)			cat. no.	10120947		rev	D	
angular	0° ±2°	www.fci.com	HPCE CTB - VERT HEADER			Product - Customer Drw	sheet 1 of 4				



CONTACT TYPE	TOP LAYER DESCRIPTION	TABLE 1 (HPCE / SOLDER TAILS) PLATED THROUGH-HOLE REQUIREMENTS				
		DRILLED HOLE DIAMETER	COPPER THICKNESS	TIN-LEAD THICKNESS	TIN THICKNESS	FINISHED HOLE DIAMETER
POWER & SIGNAL	TIN-LEAD	1.10-1.16 (1.15 DRILL)	0.025 - 0.050	0.005 - 0.015	--	0.94 - 1.10
	IMMERSION TIN	1.10-1.16 (1.15 DRILL)	0.025 - 0.050	--	0.9 - 1.5um	0.94 - 1.10
	COPPER (SEE NOTE 8)	1.10-1.16 (1.15 DRILL)	0.025 - 0.050	--	--	0.94 - 1.10



**RECOMMENDED PCB LAYOUT
 VIEW FROM CONNECTOR SIDE**



spec ref	-	dr	Steve Pressel	2012/07/09	projection	MM	size	A2	scale	3:1	
tolerance std	ASME Y14.5	eng	Liu Jenson	2014/04/22			ecn no	ELX-DG-17541-1			
TOLERANCES UNLESS OTHERWISE SPECIFIED		chr	Jon Qin	2014/04/25			rel level	Released			
surface	✓	appr	Collins Lu	2014/04/25			product family	HPCE			
ASME Y14.5	linear	0.X	±0.3		title		VERT HEADER (24LP - 24S)		dwg no 10120947	rev D	
		0.XX	±0.10		HPCE CTB - VERT HEADER		Product - Customer Drw				
	angular	0°	±2°		www.fci.com		sheet 2 of 4				

Copyright FCI.
FCI

PRODUCT PART NUMBER

10120947-□□□□LF


BASE PART NUMBER

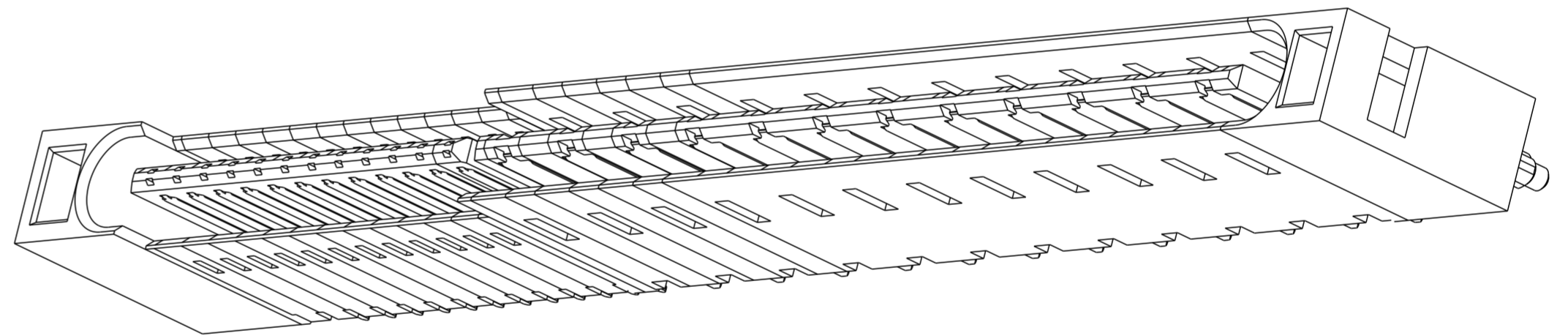
CONTACT AREA PLATING
 UNDERPLATED 50 μ "(1.27 μ m) MIN. NICKEL
 1: 100 μ "(2.5 μ m) MIN. Ag
 2: 30 μ "(0.760 μ m) MIN. GXT

FIRST MATE LAST BREAK PIN POSITION
 000: ALL PINS ARE LONG PINS SEE TABLE

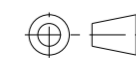

DIM "A", TAIL LENGTH
 1: 2.60 \pm 0.25mm (PCB THK 1.57 \pm 0.13mm)
 2: 3.25 \pm 0.25mm (PCB THK 2.36 \pm 0.13mm)

NOTES:

1. CONNECTOR MATERIALS:
 HOUSING: HIGH TEMPERATURE THERMAL PLASTIC, BLACK UL 94V-0 COMPLIANT
 CONTACTS: HIGH PERFORMANCE COPPER ALLOY.
2. CONTACT FINISH REF. GS-12-1031 SECTION 5.2
3. PRODUCT SPECIFICATION: GS-12-1031
4. APPLICATION SPECIFICATION: GS-20-0369
5. PRODUCT MARKING (FCI PART NUMBER & DATE CODE) ON HOUSING IN AREA SHOWN.
6. PACKAGING MEETS FCI SPECIFICATION GS-14-2272. 
7. HOUSING COMPONENT WILL WITHSTAND EXPOSURE TO 260°C PEAK TEMPERATURE FOR 60 SECONDS IN A CONVECTION, INFRA-RED, OR VAPOR PHASE REFLOW OVEN.
8. COPPER PLATING THICKNESS IN CENTER OF VIA-HOLE CAN BE NO MORE THAN 0.003 LESS THAN OTHER AREAS.
9. ALL HOLE SIZES ARE FINISHED HOLE SIZES.
10. MOUNTING HOLES ARE UNPLATED
 \varnothing 2.25 \pm 0.05 FOR SOLDER TAILS



Copyright FCI.

spec ref	-	dr	Steve Pressel	2012/07/09	projection	MM	size	A2	scale	1:1													
tolerance std	ASME Y14.5	eng	Liu Jenson	2014/04/22			ecn no	ELX-DG-17541-1															
TOLERANCES UNLESS OTHERWISE SPECIFIED		chr	Jon Qin	2014/04/25				product family	rel level	Released													
surface	<table border="1"> <tr> <td>linear</td> <td>0.X</td> <td>\pm0.3</td> </tr> <tr> <td></td> <td>0.XX</td> <td>\pm0.10</td> </tr> <tr> <td></td> <td>0.XXX</td> <td>\pm0.050</td> </tr> <tr> <td>angular</td> <td>0°</td> <td>\pm2°</td> </tr> </table>	linear	0.X	\pm 0.3							0.XX	\pm 0.10		0.XXX	\pm 0.050	angular	0°	\pm 2°	apppr	Collins Lu	2014/04/25	title	VERT HEADER (24LP - 24S)
linear	0.X	\pm 0.3																					
	0.XX	\pm 0.10																					
	0.XXX	\pm 0.050																					
angular	0°	\pm 2°																					
ASME Y14.5	www.fci.com	cat. no.	-		Product - Customer Drw	sheet 3 of 4																	

000	END MODULE	SIGNAL CONTACT													POWER CONTACT													END MODULE
			12	11	10	9	8	7	6	5	4	3	2	1	12	11	10	9	8	7	6	5	4	3	2	1		
		ROW C	S3	S3	S3	S3	S3	S3	S3	S3	S3	S3	S3	S3	S3	P3	P3	P3	P3	P3	P3	P3	P3	P3	P3	P3	P3	
ROW D	S3	S3	S3	S3	S3	S3	S3	S3	S3	S3	S3	S3	S3	P3	P3	P3	P3	P3	P3	P3	P3	P3	P3	P3	P3	ROW B		

SIGNAL CONTACT	ROW#	S#	DIM "B"±0.25	DIM "A"±0.25	
	ROW C	S1		8.73	3.25
		S2		7.46	3.25
		S3		8.73	2.60
		S4		7.46	2.60
		S9		8.73	3.25
		S10		7.46	3.25
	ROW D	S1		8.73	3.25
		S2		7.46	3.25
		S3		8.73	2.60
		S4		7.46	2.60
		S9		8.73	3.25
		S10		7.46	3.25

POWER CONTACT	ROW#	P#	DIM "C"±0.25	DIM "A"±0.25	
	ROW A	P1		8.86	3.25
		P2		7.59	3.25
		P3		8.86	2.60
		P4		7.59	2.60
		P9		8.86	3.25
		P10		7.59	3.25
	ROW B	P1		8.86	3.25
		P2		8.86	3.25
		P3		7.59	2.60
		P4		7.59	2.60
		P9		8.86	3.25
		P10		7.59	3.25

spec ref	-	dr	Steve Pressel	2012/07/09	projection	MM	size	A2	scale	3:1	
tolerance std	ASME Y14.5	eng	Liu Jenson	2014/04/22		←	ecn no	ELX-DG-17541-1			
TOLERANCES UNLESS OTHERWISE SPECIFIED		chr	Jon Qin	2014/04/25			rel level	Released			
surface	ASME Y14.5	appr	Collins Lu	2014/04/25			product family	HPCE			
linear	0.X ±0.3 0.XX ±0.10 0.XXX ±0.050			title	VERT HEADER (24LP - 24S)			dwg no	10120947		
angular	0° ±2°	www.fci.com		HPCE CTB - VERT HEADER	Product - Customer Drw			rev	D		
				cat. no.				sheet 4 of 4			

