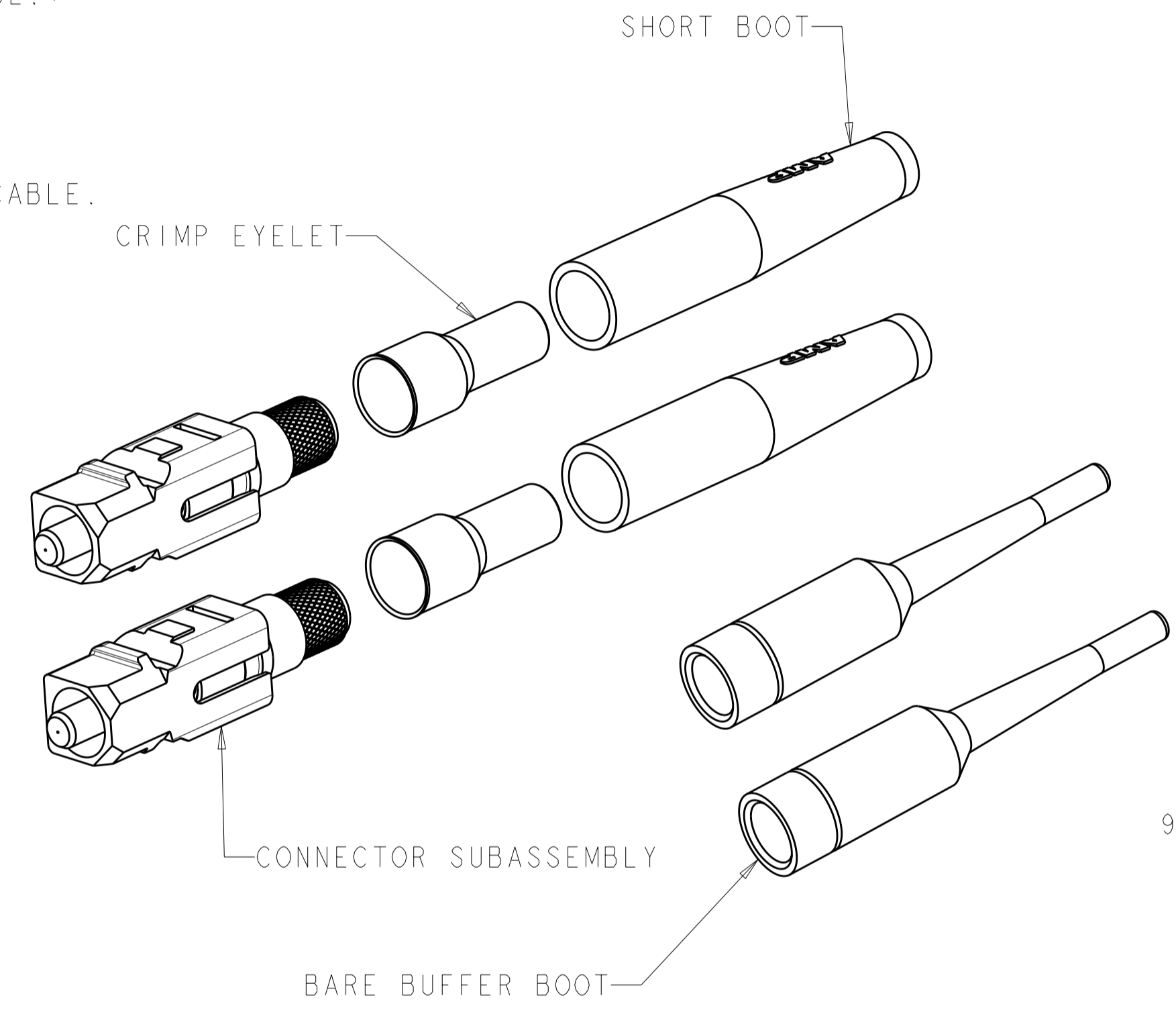
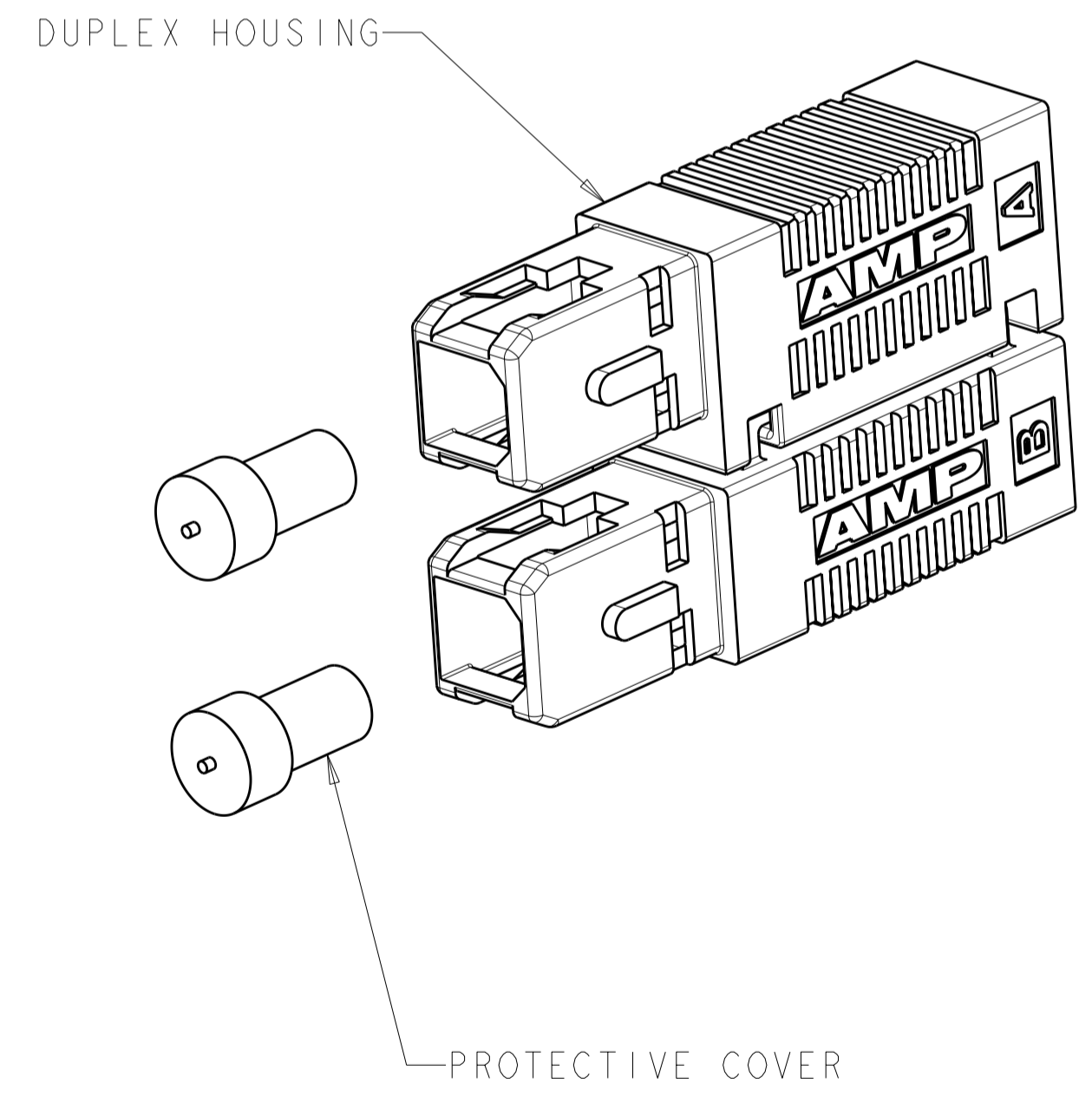


THIS DRAWING IS UNPUBLISHED. RELEASED FOR PUBLICATION 20
 © COPYRIGHT 20 ALL RIGHTS RESERVED.

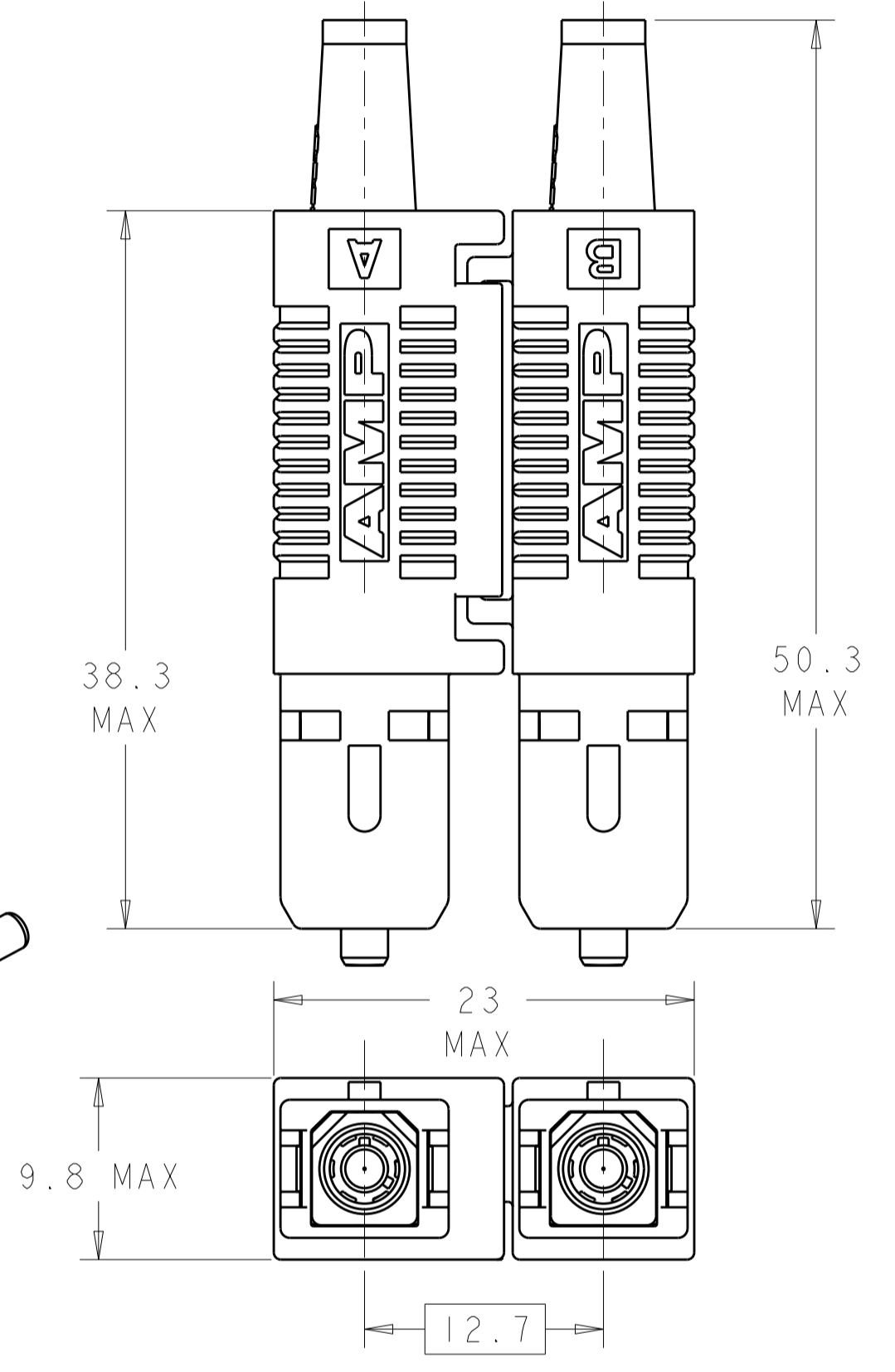
LOC	DIST	REVISIONS				
P	LTR	DESCRIPTION	DATE	DWN	APVD	
HG	-					
	H	REVISE PER 0A00-0556-04	12NOV2004	BB	SM	
	J	REVISE PER 0A00-11-002798	9FEB2011	DD	CT	

1 MATERIAL:
 CONNECTOR HOUSING: PBT-GF17, COLOR: BEIGE.*
 PROTECTIVE COVER: LDPE, COLOR: BLACK, NON-FR.
 CONNECTOR SUBASSEMBLY:
 PLUG BODY: PES-GF20, COLOR: BLUE.*
 FERRULE ASSEMBLY: CERAMIC/PBT-GF17, COLOR: BEIGE.*
 EPOXY FILL TUBING: PTFE, COLOR: CLEAR, UL VW-1 RATED.
 SPRING: STAINLESS STEEL.
 RETAINER BODY: PES-GF20, COLOR: BEIGE.*
 CRIMP EYELET: TIN PLATED COPPER.
 BOOT: TPE, COLOR: BEIGE.*
 *UL94 V-0 RATED AT QUALIFYING THICKNESS.

- 2 BULK PACKAGE.
- 3. 3.0mm KIT FOR USE WITH "LOOSE-JACKETED" CABLE.
- 4 NO AMP LOGO.
- 5 CONTAINS NO CRIMP EYELETS.



OBSOLETE



5	4	2	NONE	504657-7
4	2		3.0mm	504657-6
4	2		3.0mm AND 900um	504657-5
4			3.0mm	504657-4
2			3.0mm	504657-3
2			3.0mm	504657-2
			3.0mm	504657-1
			BOOT	PART NUMBER

THIS DRAWING IS A CONTROLLED DOCUMENT.		DWN B. BRIGGS 12NOV2004	TE Connectivity	
DIMENSIONS: mm		CHK S. MILLER 12NOV2004		
TOLERANCES UNLESS OTHERWISE SPECIFIED:		APVD S. BUCHTER 12NOV2004	NAME SC, MULTIMODE CONNECTOR KIT, 900um AND 3.0mm	
0 PLC ±	1 PLC ±	PRODUCT SPEC	SIZE	CAGE CODE
2 PLC ±	3 PLC ±	APPLICATION SPEC	A200779	DRAWING NO
4 PLC ±	ANGLES ±	WEIGHT	C-504657	RESTRICTED TO
MATERIAL	FINISH	CUSTOMER DRAWING	SCALE 3:1	SHEET 1 OF 1