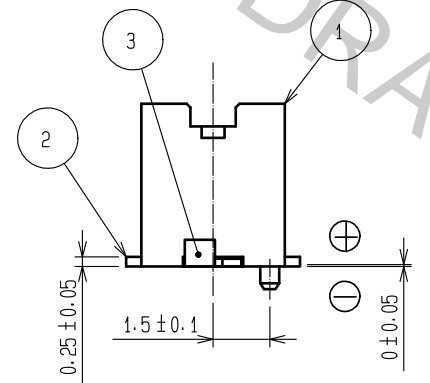
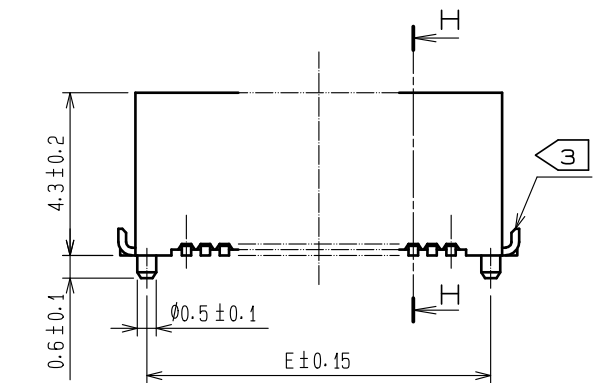
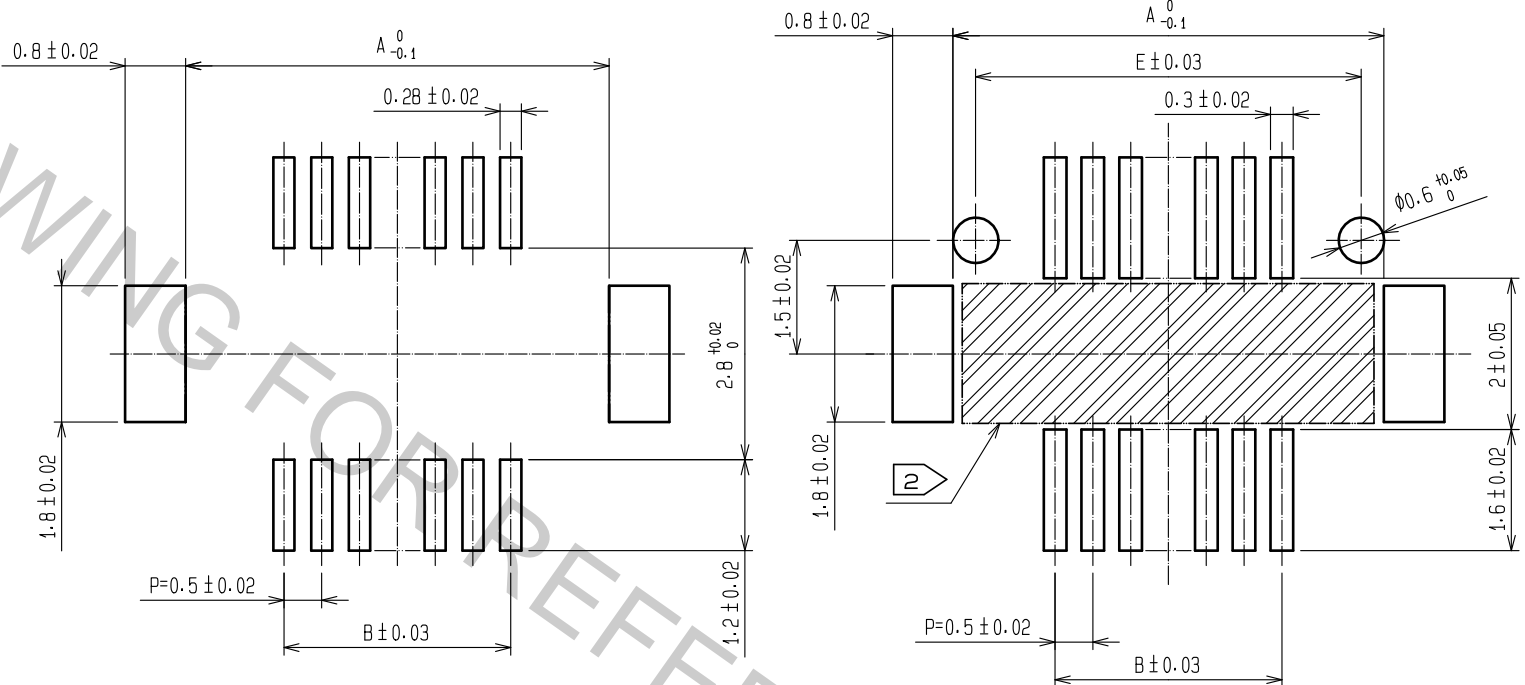


CODE No.	CONTACT	A	B	C	D	E	F	G
CL537-0153-9-86	20	7.2	4.5	5.3	5.7	6.6	5.3	8.1
CL537-0155-4-86	30	9.7	7.0	7.8	8.2	9.1	7.8	10.6
CL537-0156-7-86	36	11.2	8.5	9.3	9.7	10.6	9.3	12.1
CL537-0157-0-86	40	12.2	9.5	10.3	10.7	11.6	10.3	13.1
CL537-0159-5-86	50	14.7	12.0	12.8	13.2	14.1	12.8	15.6
CL537-0161-7-86	60	17.2	14.5	15.3	15.7	16.6	15.3	18.1

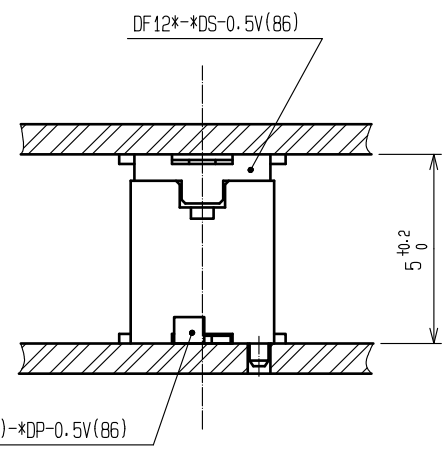
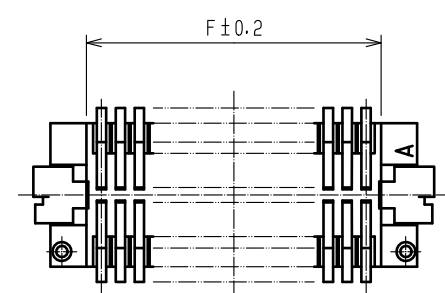


RECOMMEND METAL MASK PATTERN (10:1)

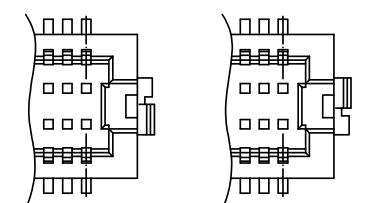
RECOMMENDED PATTERN (10:1)



RECOMMENDED THICKNESS OF SOLDER PASTE : 120 μm



NOTES 1 : LEAD CO-PLANARITY INCLUDING REINFORCED METAL FITTINGS SHALL BE 0.08 mm MAX.
 2 : IF THERE IS PATTERN ON [Hatched] PART, THERE IS A POSSIBILITY THAT IT WILL MAKE CONTACT WITH THE LEADS.
 3 : REINFORCED METAL FITTINGS AS FOLLOWS.

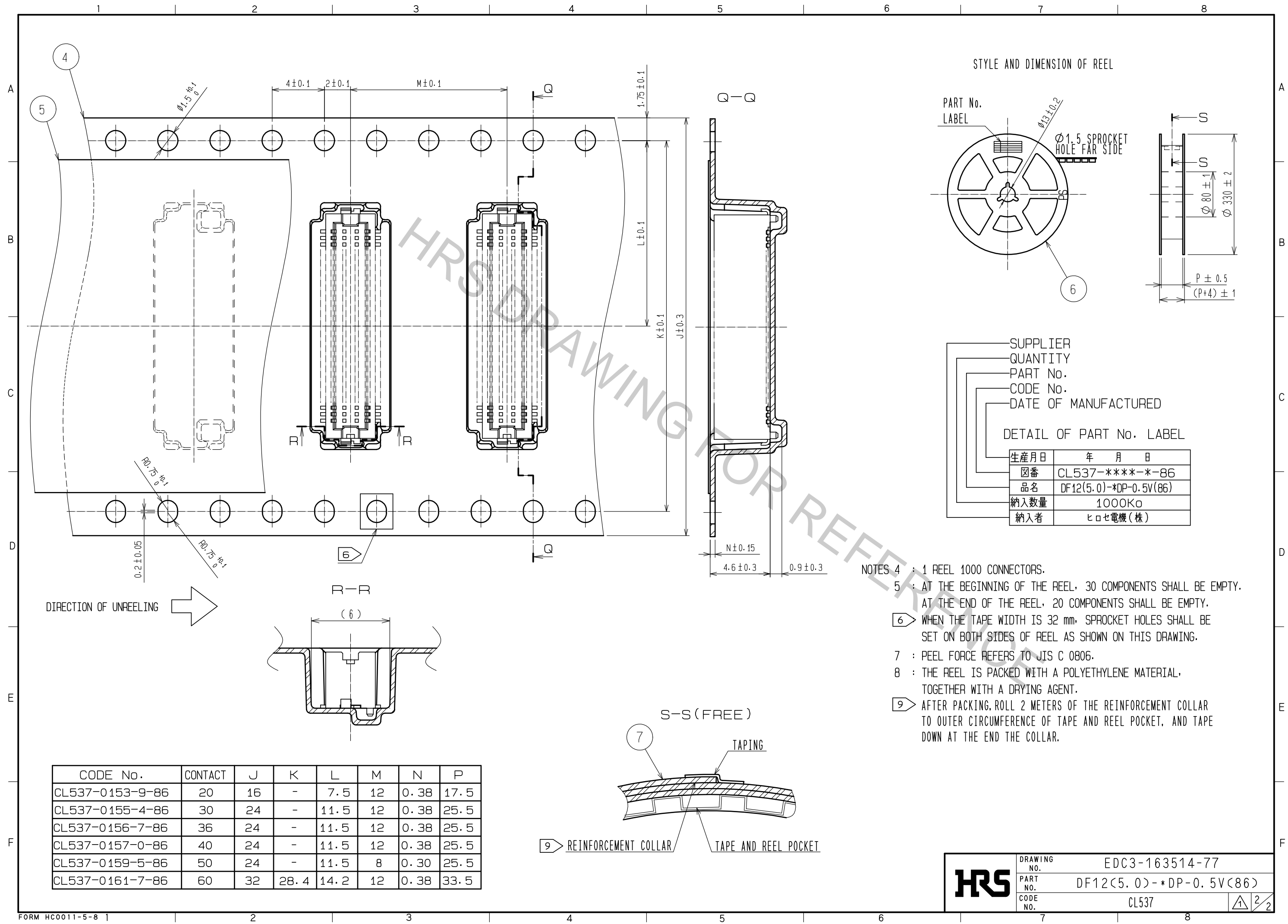


NO.	MATERIAL	FINISH	REMARKS	NO.	MATERIAL	FINISH	REMARKS
2	PHOSPHOR BRONZE		CONTACT AREA:GOLD PLATED 0.2μm min LEAD AREA:GOLD PLATED 0.015μm OTHERS(UNDER PLATING):NICKEL PLATED 2μm min	7	PS		CLEAR (REINFORCEMENT COLLAR)
1	POLYAMIDE		UL94V-0·NATURAL (BEIGE)	6	PS		BLACK (PLASTIC REEL)
				5	POLYESTER		CLEAR (COVER TAPE)
				4	PS		CLEAR (EMBOSSED CARRIER TAPE)
				3	BRASS		TIN PLATED 2μm min (UNDER PLATING):NICKEL 1μm min

UNITS	SCALE	COUNT	DESCRIPTION OF REVISIONS	DESIGNED	CHECKED	DATE
mm	5 : 1	1	DIS-H-00001707	SH. HOSODA	TS. MIYAZAKI	16.06.10

APPROVED	CHECKED	DESIGNED	DRAWN	DATE
KH. IKEDA	TS. MIYAZAKI	YH. MICHIDA	YH. MICHIDA	12.01.11
				12.01.10
				12.01.10
				12.01.10

DRAWING NO.	PART NO.	CODE NO.
EDC3-163514-77	DF12(5.0)-*DP-0.5V(86)	CL537



CODE No.	CONTACT	J	K	L	M	N	P
CL537-0153-9-86	20	16	-	7.5	12	0.38	17.5
CL537-0155-4-86	30	24	-	11.5	12	0.38	25.5
CL537-0156-7-86	36	24	-	11.5	12	0.38	25.5
CL537-0157-0-86	40	24	-	11.5	12	0.38	25.5
CL537-0159-5-86	50	24	-	11.5	8	0.30	25.5
CL537-0161-7-86	60	32	28.4	14.2	12	0.38	33.5

HRS	DRAWING NO.	EDC3-163514-77
	PART NO.	DF12(5.0)-*DP-0.5V(86)
	CODE NO.	CL537
		\triangle 2/2