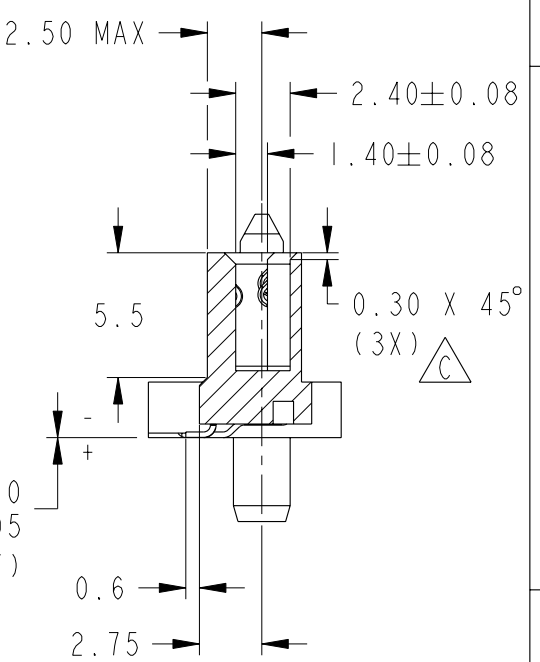
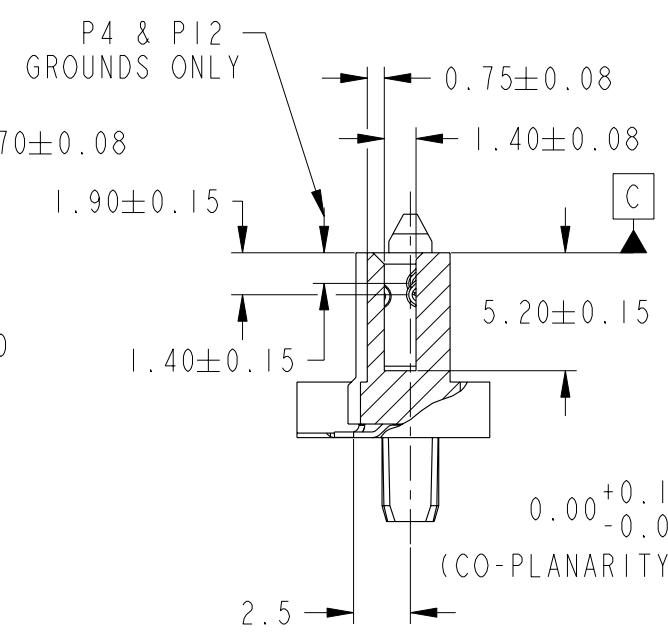
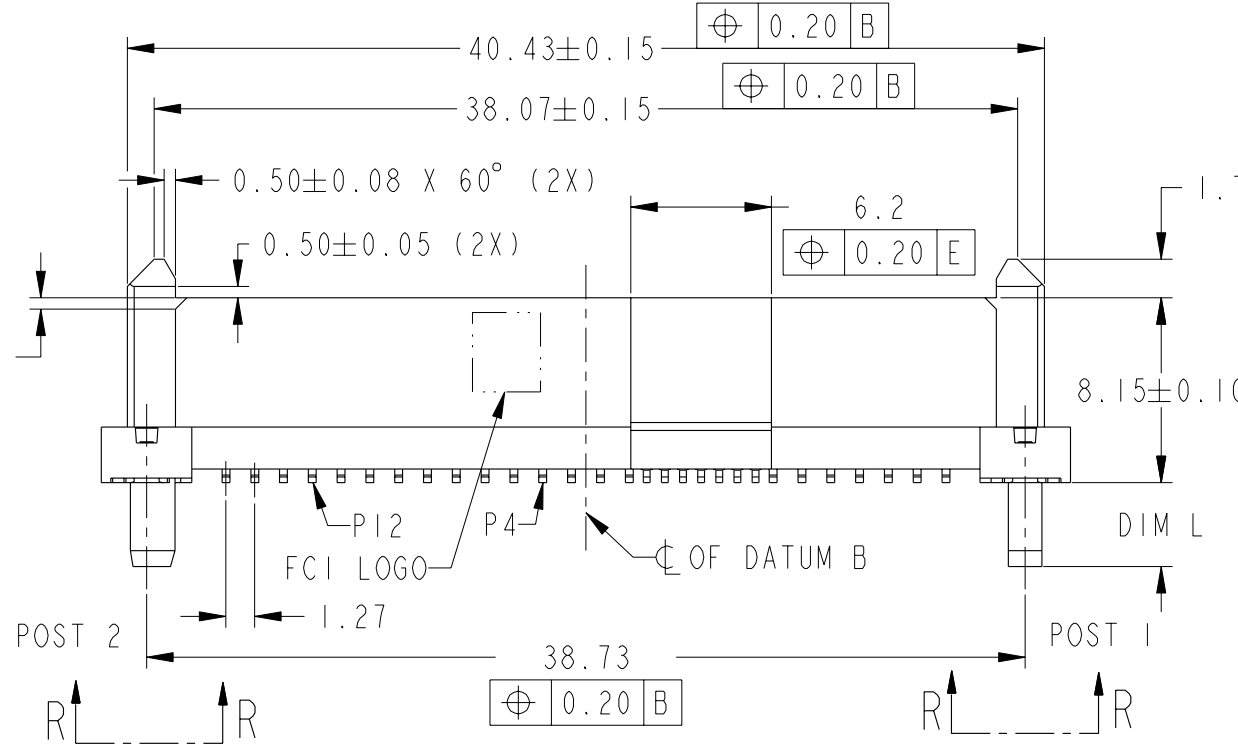
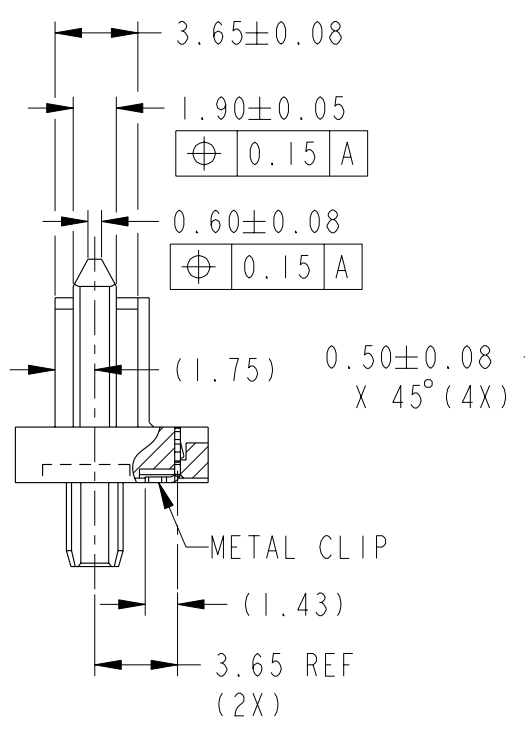
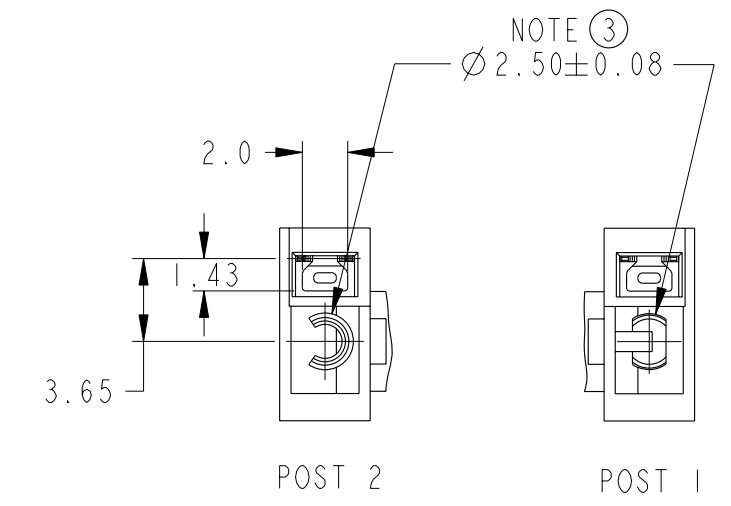
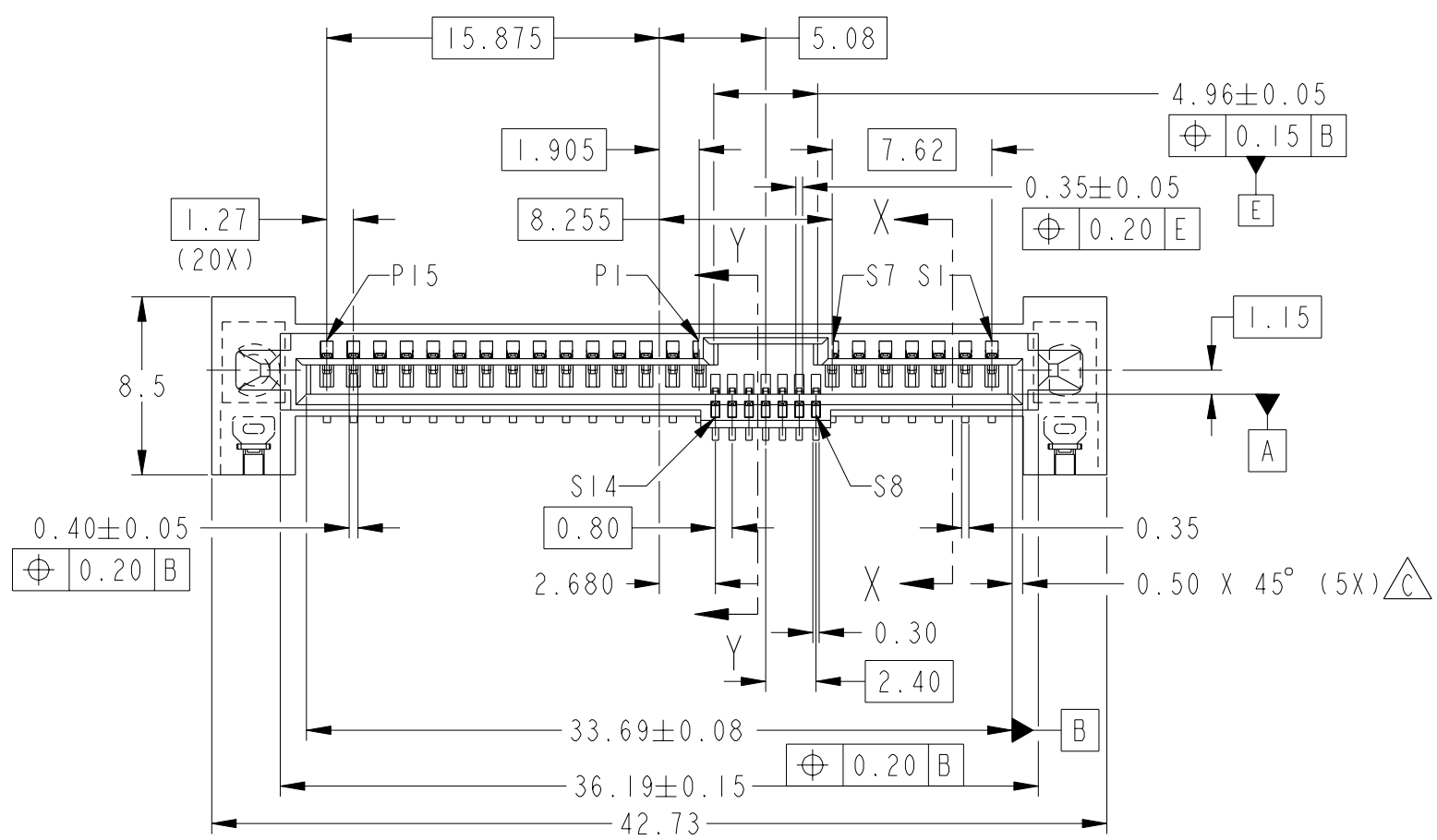


PRODUCT NO
SEE TABLE



Copyright FCI.

SECTION Z-Z

SECTION X-X

SECTION Y-Y

spec ref	-	dr	GL LOO	2007-02-12	projection	MM	size	A3	scale	3:1
tolerance std	ISO 406 ISO 1101	eng	GL LOO	2007-02-12			ecn no	S10-0228	rel level	-
TOLERANCES UNLESS OTHERWISE SPECIFIED		chr	GL LOO	2010-10-28						
surface	ISO 1302	appr	JOEY NG	2010-10-28			rel level	-		
	linear	0.X	±-							
		0.XX	±0.20							
		0.XXX	±-							
	angular	0°	±2°							



SAS RECEPTACLE
WIDE BASE SMT

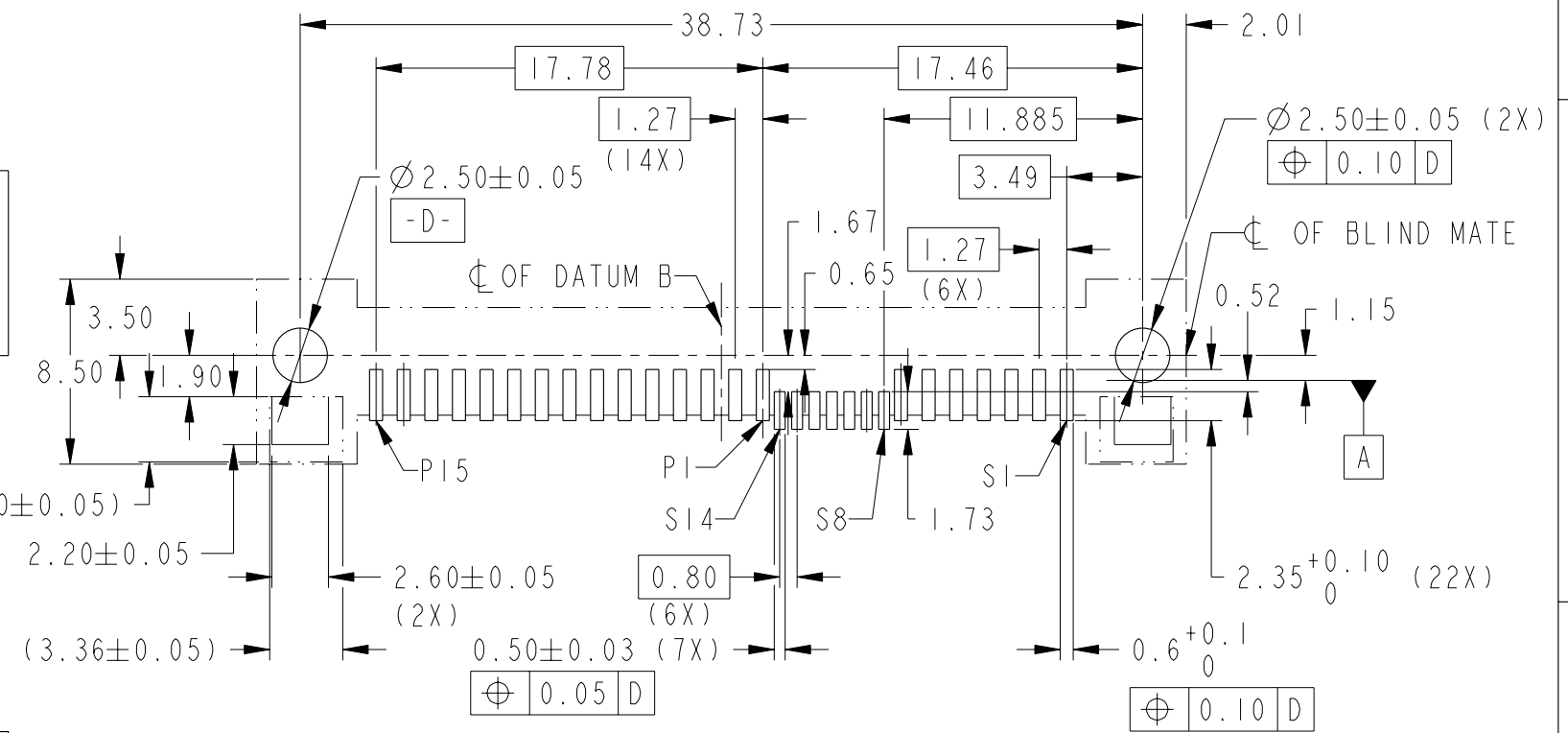
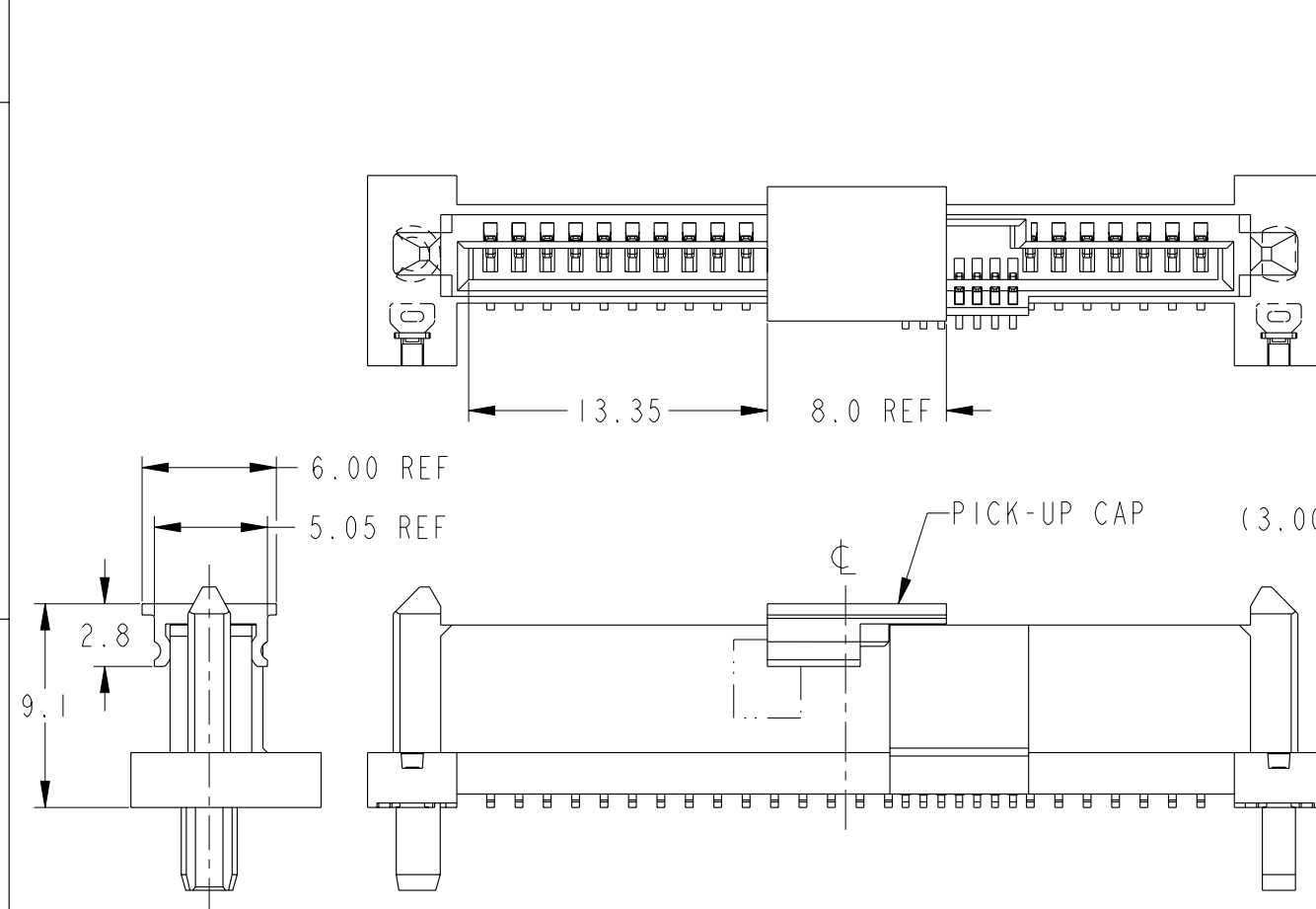
dwg no 10076579

rev C

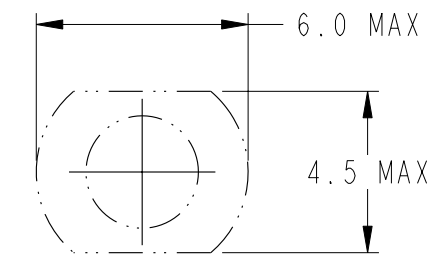
www.fci.com

cat. no. - Product - Customer Drw sheet 1 of 3

PRODUCT NO	DIM L	RECOMMENDED P.C. BOARD THICKNESS	PICK-UP CAP	PACKAGING	REMARK
10076579-001LF	3.7	4.57mm (0.018")	NO	TRAY	--
10076579-001CLF	3.7		YES		
10076579-001C-TRLF	3.7		YES	TAPE & REEL	
10076579-002LF	2.0	2.54mm (0.100")	NO	TRAY	--
10076579-002CLF	2.0		YES		
10076579-002C-TRLF	2.0		YES	TAPE & REEL	



RECOMMENDED PCB LAYOUT




RECOMMENDED SUCTION HEAD SIZE

PART WITH PICK-UP CAP, SEE NOTE ⑤

spec ref	-	dr	GL LOO	2007-02-12	projection	MM	size	A3	scale	3:1
tolerance std	ISO 406 ISO 1101	eng	GL LOO	2007-02-12			ecn no	S10-0228	rel level	-
TOLERANCES UNLESS OTHERWISE SPECIFIED		chr	GL LOO	2010-10-28						
surface	ISO 1302	appr	JOEY NG	2010-10-28			rel level	-	dwg no	10076579
linear	0.X ± - 0.XX ±0.20 0.XXX ± -			SAS RECEPTACLE WIDE BASE SMT		rev	C	cat. no. - Product - Customer Drw		sheet 2 of 3
angular	0° ±2°	www.fci.com		PDS: Rev :C		STATUS:Released		Printed: Nov 01, 2011		

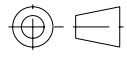
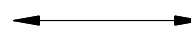


Copyright FCI. FCI

NOTES:

1. MATERIAL:
 - 1) HOUSING : HIGH TEMP TERMOPLASTIC, UL 94V-0
COLOUR : BLACK
 - 2) TERMINAL : COPPER ALLOY
 - 3) HOLD DOWN : COPPER ALLOY
2. FINISH :
 - 1) TERMINAL : 30µ" Au PLATING (CONTACT POINT) OVER 50µ" NICKEL
 - 2) SOLDER TAIL : 50µ" MIN Sn OVER 50µ" NICKEL
 - 3) HOLD DOWN : 50µ" MIN Sn OVER 50µ" NICKEL
- ③ THE DIM. IS MEASURED AT P.C. BOARD SITTING PLANE
- ④ PER SFF REV 1.3
- ⑤ PART WITH PICK-UP CAP, P/N XXXXXXXX-XXXC LF
- ⑥ THE STD PACKAGING IS IN TRAY
7. FOR TAPE & REEL PACKAGING, SUFFIX "-TR" ADDED.
P/N XXXXXXXX-XXXC-TR LF
8. THE HOUSING WILL WITHSTAND EXPOSURE TO 260°C PEAK TEMPERATURE FOR 10 SECONDS IN A CONVECTION, INFRA-RED OR VAPOR PHASE REFLOW OVEN
- ⑨ THIS PRODUCT MEETS EUROPEAN UNION DIRECTIVES AND OTHER COUNTRY REGULATIONS AS DESCRIBED IN GS-22-008
- ⑩ PART NUMBERS ENDING IN "LF" MEANS FOR NOTE 8 LEAD FREE IDENTIFICATION
- ⑪ A  SYMBOL WILL BE NEXT TO ANY DIMENSION, VIEW, OR NOTE WHICH HAS BEEN MODIFIED WITH THE CURRENT DRAWING REVISION.



Copyright FCI.

spec ref -		dr	GL LOO	2007-02-12	projection 	MM 	size	A3	scale	3:1
tolerance std ISO 406 ISO 1101		eng	GL LOO	2007-02-12			ecn no	S10-0228		
TOLERANCES UNLESS OTHERWISE SPECIFIED		chr	GL LOO	2010-10-28			rel level	-		
surface 	linear	0.X	± -		SAS RECEPTACLE	dwg no	10076579		rev	C
		0.XX	±0.20							
		0.XXX	± -							
ISO 1302	angular	0°	±2°	www.fci.com	cat. no.	-	Product - Customer Drw		sheet 3 of 3	