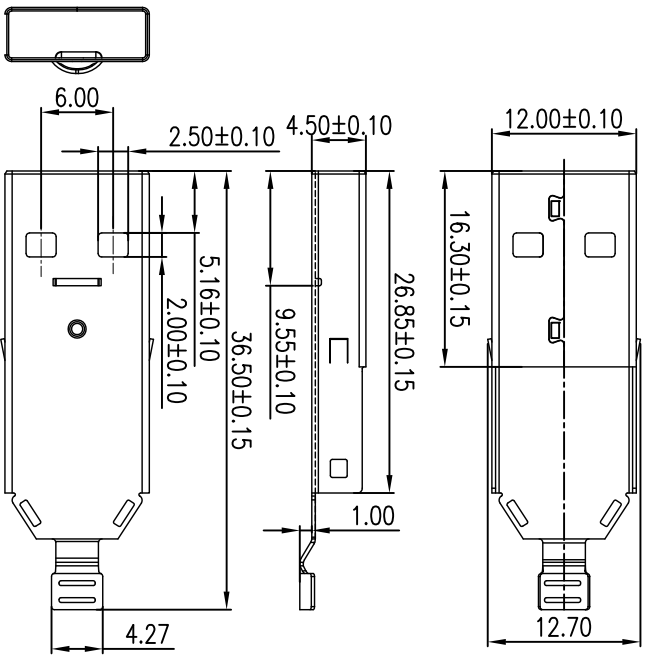


NOTE:
1. MATERIAL:
1.1 INSULATOR: PBT+30%GF UL 94V-0
1.2 CONTACT: 4pin BRASS(T=0.20mm)
5pin BRASS(T=0.25mm)

2. ELECTRICAL CHARACTERISTICS:
2.1 CONTACT RESISTANCE: 30mΩ Max
2.2 CONTACT CURRENT RATING: 1.5A
2.3 DIELECTRIC WITHSTANDING VOLTAGE: 500 V R.M.S.
2.4 INSULATION RESISTANCE: 100 MEGOHMS Min
2.5 OPERATING TEMPERATURE: -40°C ~ 85°C
3. MECHANICAL CHARACTERISTICS:
3.1 MATING FORCE: 35 N Max
3.2 UNMATED FORCE: 10 N Min INITIAL; 8 N Min AFTER TEST
3.3 DURABILITY: 5,000 CYCLES
4. PLATING
4.1 TERMINAL CONTACT: GOLD PLATING ALL OVER 50U" MIN NICKEL AND 80U" MIN Matte Tin ALL OVER 50U" MIN NICKEL IN SOLDER AREA
4.2 SHELL: 50U" MIN. NICKEL ALL OVER



2014/06/06	Jody	Structural changes	A1
2012/03/06	XIE	NEW DWG	A0
DATE	DR. BY	ECN. NO.	DESCRIPTION
			MARK
			VER.
-TOLERANCES- UNLESS OTHERWISE SPECIFIED			
X.X	±0.25	X.X'	±3.00"
X.XX	±0.20	X.XX'	±1.00"
X.XXX	±0.15	X.XXX'	±0.500"
TITLE: USB 3.0 9P AM ASSEMBLY 15U" Blue		PRODUCT NO: 1003-023-01300	DATE: 2012/04/06
SCALE: 1:1		UNIT: mm	TYPE: Z
PAGE: 1/1			

Cnc Tech, LLC