

DO NOT SCALE FROM THIS PRINT

DIMENSIONS ARE IN INCHES

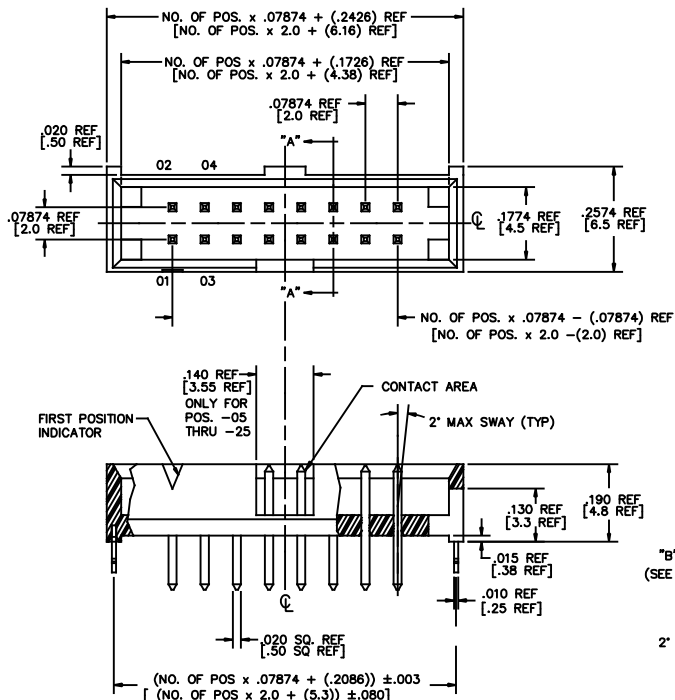
UNLESS OTHERWISE NOTED

TOLERANCES ARE:

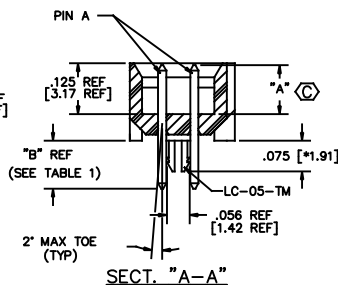
ONE PLACE DECIMALS ± .1 [2.5] THREE PLACE DECIMALS ± .005 [.13] ANGLES ± 1°
 TWO PLACE DECIMALS ± .01 [.3] FOUR PLACE DECIMALS ± .0010 [.025]

TITLE: 2mm C.L. SHROUDED TERMINAL STRIP TO MATE WITH CABLE

STMM-1XX-XX-XX-D-XX-XX
 SHEET 1 OF 3



THROUGH HOLE
FIG. 1



SECT. "A-A"

STMM-1XX-XX-XX-D-XX-XX

NO. OF POSITIONS
-02 THRU -25

TERMINAL STYLE
LEAD STYLE -01 IS STANDARD (.100 [2.54] POST HEIGHT), LEAD STYLE -02 IS FOR MATING WITH TCSD ONLY (.120 [3.05] POST HEIGHT) (SEE TABLE 1)

POLARIZED OPTION
XX = PIN NO TO BE OMITTED

OPTION
-RA: RIGHT ANGLE (SEE FIG 2 -RA & TABLE 1 SHT 1)
-SM: SURFACE MOUNT (SEE TABLE 1 SHT 1 & TABLE 2 SHT 2)
-LC: LOCKING CLIP (SEE NOTE 9)
(USE LC-05-TM FOR THROUGH HOLE STYLE, SEE FIG 1, * DIMS)
(USE LC-07-TM FOR -SM STYLE, SEE FIG 3, SHT 2 * DIMS)
NOT AVAILABLE FOR -RA STYLE
LEAVE BLANK FOR THROUGH HOLE (SEE FIG 1 & TABLE 1 SHT 1)
-P: PICK AND PLACE PAD (USE PFP-24, SEE FIG 4 SHT 2)
(3 POSITION MINIMUM) (NOT AVAILABLE WITH -RA OPTION)
-M: METAL PICK AND PLACE PAD (USE MPP-07, SEE FIG 5 SHT 2)
(-SM OPTION ONLY) (3 POSITION MINIMUM) (SEE NOTE 8)
(NOT AVAILABLE WITH -RA OPTION)
-TR: TAPE & REEL (SEE FIG 7 SHT 3). FOR SM OPTION ONLY.
-K: POLYIMIDE FILM PAD (SEE FIG 6, SHT 2)
(USE K-DOT-.295-.406-.005)
(NOT AVAILABLE WITH -RA OPTION)

PLATING SPECIFICATIONS
-G: 20μ" GOLD IN CONTACT AREA, 3μ" GOLD ON TAIL
-T: MATTE TIN CONTACT AND TAIL
-S: 30μ" SELECTIVE GOLD IN CONTACT AREA, MATTE TIN ON TAIL
-L: 10μ" SELECTIVE GOLD IN CONTACT AREA, MATTE TIN ON TAIL
-F: 3μ" SELECTIVE GOLD IN CONTACT AREA, MATTE TIN ON TAIL
-H: 30μ" GOLD IN CONTACT AREA, 3μ" GOLD ON TAIL
-SM: 30μ" SELECTIVE GOLD IN CONTACT AREA, MATTE TIN ON TAIL
-TM: MATTE TIN CONTACT AND TAIL
-LM: 10μ" SELECTIVE GOLD IN CONTACT AREA, MATTE TIN ON TAIL
-FM: 3μ" SELECTIVE GOLD IN CONTACT AREA, MATTE TIN ON TAIL

ROW SPECIFICATION
-D: DOUBLE (USE STMM-XX-D-LC)

- NOTES:**
- MAX PIN ROTATION IN BODY TO BE 2°.
 - PUSHOUT FORCE TO BE 1 lb. MIN.
 - ⊕ REPRESENTS CRITICAL DIMS.
 - DIMENSIONS IN [] ARE IN MILLIMETERS.
 - FOR LOCKING CLIPS: 12 OZ. MIN RETENTION
 - MEASURE AT BEND.
 - ORIENTATE PINS TO REDUCE THE NUMBER OF BANDOLIER MARKS IN THE POST AREA. (SEE TABLE 4)
 - M OPTION NOT RECOMMENDED WITH -T OR -TM PLATING OPTIONS FOR LEAD FREE PROCESSING.
 - DUE TO THE HIGH AMOUNT OF INSERTION FORCE NEEDED, THE -LC OPTION IS NOT COMPATIBLE WITH AUTO PLACEMENT. SAMTEC RECOMMENDS MANUAL PLACEMENT FOR ALL ASSEMBLIES WITH THE -LC OPTION.

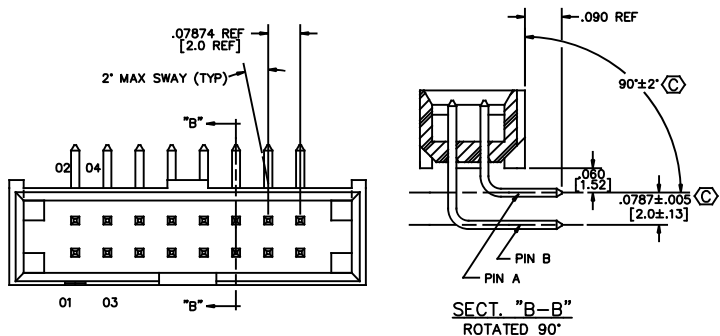
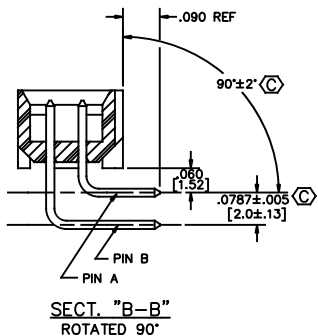


FIG. 2
-RA: RIGHT ANGLE

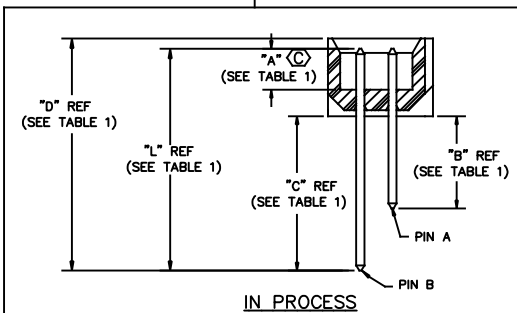
DIFFERENT AS SHOWN OTHERWISE SAME AS FIG. 1



SECT. "B-B"
ROTATED 90°

TABLE 1

	LEAD STYLE	"A" REF	"B" REF	"C" REF	PIN A	"L" REF TERMINAL LENGTH	"D" REF	PIN B	"L" REF TERMINAL LENGTH	"D" REF
THROUGH HOLE (SEE FIG. 1)	-01	.100 [2.54]	.092 [2.3]	N/A	T-1S13-04-XX-2	.255 [6.48]	.280 [7.11]	N/A	.255 [6.48]	N/A
	-02	.120 [3.05]	.117 [3.0]	N/A	T-1S13-07-XX-2	.302 [7.67]	.307 [7.80]	N/A	.302 [7.67]	N/A
RIGHT ANGLE (SEE FIG. 2)	-01	.100 [2.5]	.232 [5.9]	.390 [9.9]	T-1S13-05-XX-2	.397 [10.08]	.422 [10.71]	T-1S13-06-X-2	.555 [14.10] REF	.580 [14.73]
	-02	.120 [3.0]	.228 [5.8]	.386 [9.8]	T-1S13-19-XX-2	.413 [10.49]	.438 [11.13]	T-1S13-22-X-2	.571 [1.50] REF	.576 [14.63]
SURFACE MOUNT (SEE FIG. 3)	-01	.100 [2.54]	.172 [4.4]	N/A	T-1S13-07-XX-2	.302 [7.67]	.327 [8.31]	N/A	SEE TABLE 2	N/A
	-02	.120 [3.05]	.173 [4.4]	N/A	T-1S13-20-XX-2	.323 [8.20]	.328 [8.33]	N/A	SEE TABLE 2	N/A



IN PROCESS

MATERIAL:
BODY: LCP
COLOR: BLACK

TERMINAL:
PHOSPHOR BRONZE

PLOT SCALE: 1=2.5

EXISPROD ASSEMBLY 2MM STMMASM
samtec

520 PARK EAST BLVD. NEW ALBANY, INDIANA 47150
 PHONE (812) 944-6733 P.O. BOX 1147
 CODE 55322

MADE BY: KOLB 1-28-92

STMM-1XX-XX-XX-D-XX-XX
 SHEET 1 OF 3

* PROPRIETARY NOTE *

THIS DOCUMENT CONTAINS CONFIDENTIAL AND PROPRIETARY INFORMATION AND ALL DESIGN, MANUFACTURING, REPRODUCTION, USE, PATENT RIGHTS AND SALES RIGHTS ARE EXPRESSLY RESERVED BY SAMTEC, INC. THIS DOCUMENT SHALL NOT BE DISCLOSED, IN WHOLE OR PART TO ANY UNAUTHORIZED PERSON OR ENTITY NOR REPRODUCED, TRANSMITTED OR INCORPORATED IN ANY OTHER PROJECT IN ANY MANNER WITHOUT THE EXPRESS WRITTEN CONSENT OF SAMTEC, INC.