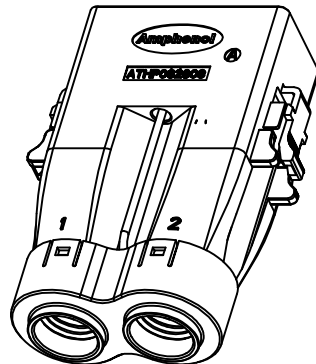
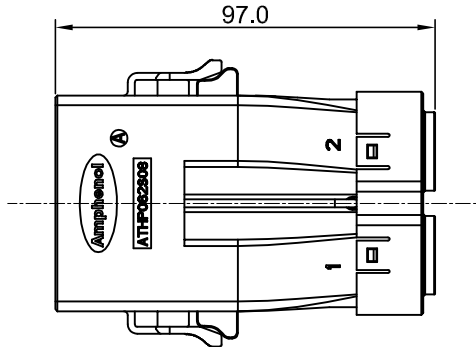
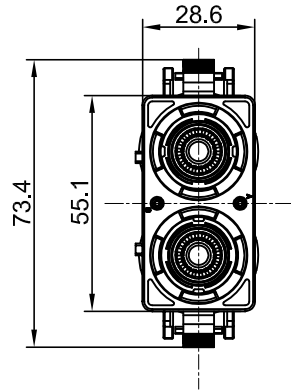


REVISIONS					
REV	ECO	DESCRIPTION	DATE	BY	APPR
A1	-	RELEASE NEW DRAWING	Dec.15.2016	Regan	Tommy



NO.	PART NUMBER	Cable OD Range
1	ATHP062S08NL16-50S1	15.5~16.5 mm

OTHER OD RANGE IS OPTION

NOTES: UNLESS OTHERWISE SPECIFIED

- MATERIAL:
 - HOUSING: THERMOPLASTIC UL 94V0
 - SEAL: SILICONE RUBBER
 - POWER CONTACT: COPPER ALLOY, SILVER PLATED
- SPECIFICATIONS:
 - CURRENT RATING: 50mm²@180 AMPS
 - VOLTAGE RATING: 1000 V AC/DC
 - OPERATING TEMPERATURE: -40°C TO +130°C
 - DIELECTRIC WITHSTANDING VOLTAGE: LESS THAN 2 MILLIAMPS CURRENT LEAKAGE @ 3000 VOLTS AC.
 - INSULATION RESISTANCE: 500 MEGOHMS MIN@25°C.
 - DEGREE OF PROTECTION: IP67 (MATED CONDITION)
 - MATING CYCLE DURABILITY: 100 CYCLES
 - RoHS COMPLIANT
- SIGNAL CONTACT: RT SERIES 14# SOCKET CONTACT
POWER CONTACT: SC000383-8
- ALL DIMENSIONS ARE FOR REFERENCE USE ONLY.

TITLE: ATHP PLUG,2 PIN,8MM HVIL WITH/OUT EMC SHIELDING
DWG NO: ATHP062S08NL16-50Sx
REV: A1
SH: 1
OF: 1

PART NUMBER		DESCRIPTION		ITEM																																													
ATHP062S08NL16-50Sx		ATHP, PLUG,2 PIN,8MM HVIL WITHOUT EMC SHIELDING		1																																													
<table border="1"> <thead> <tr> <th>QUANTITY</th> <th colspan="4">MATERIALS LIST</th> </tr> </thead> <tbody> <tr> <td rowspan="3">UNLESS OTHERWISE SPECIFIED 1) All dimensions are in metric(mm). 2) Tolerances are as follows: 1 PL DEC ±0.30 2 PL DEC ±0.15 3 PL DEC ±0.08 3) Note reference = </td> <td colspan="2">SIGNATURES</td> <td colspan="2">DATE</td> </tr> <tr> <td colspan="2">DRAWN: Regan</td> <td colspan="2">Dec.15.2016</td> </tr> <tr> <td colspan="2">CHECKED:</td> <td colspan="2">ENGINEER:</td> </tr> <tr> <td colspan="2">MATERIAL SPECIFICATIONS:</td> <td colspan="2">APPROVAL:</td> <td rowspan="2"> <p style="text-align: center;">Amphenol</p> <p>Sine Systems - www.amphenol-sine.com 44724 Morley Drive Clinton Township, MI 48036</p> </td> </tr> <tr> <td colspan="2">PROCESS SPECIFICATIONS:</td> <td colspan="2">CUSTOMER:</td> </tr> <tr> <td colspan="2">NEXT ASSY:</td> <td colspan="2">THIS DRAWING IS SUPPLIED FOR INFORMATION ONLY. DESIGN FEATURES, SPECIFICATIONS AND PERFORMANCE DATA SHOWN HEREON ARE THE PROPERTY OF THE AMPHENOL CORPORATION. NO RIGHTS OF REPRODUCTION ARE IMPLIED. ALL DIMENSIONS ARE SUBJECT TO NORMAL MANUFACTURING VARIATIONS.</td> <td> <table border="1"> <tr> <td>SIZE</td> <td>TYPE</td> <td>DWG NO:</td> <td>REVISION</td> </tr> <tr> <td>B</td> <td>C-</td> <td>ATHP062S08NL16-50Sx</td> <td>A1</td> </tr> </table> </td> </tr> <tr> <td colspan="2"></td> <td>SCALE: NONE</td> <td colspan="2">SHEET 1 OF 1</td> </tr> </tbody> </table>					QUANTITY	MATERIALS LIST				UNLESS OTHERWISE SPECIFIED 1) All dimensions are in metric(mm). 2) Tolerances are as follows: 1 PL DEC ±0.30 2 PL DEC ±0.15 3 PL DEC ±0.08 3) Note reference =	SIGNATURES		DATE		DRAWN: Regan		Dec.15.2016		CHECKED:		ENGINEER:		MATERIAL SPECIFICATIONS:		APPROVAL:		<p style="text-align: center;">Amphenol</p> <p>Sine Systems - www.amphenol-sine.com 44724 Morley Drive Clinton Township, MI 48036</p>	PROCESS SPECIFICATIONS:		CUSTOMER:		NEXT ASSY:		THIS DRAWING IS SUPPLIED FOR INFORMATION ONLY. DESIGN FEATURES, SPECIFICATIONS AND PERFORMANCE DATA SHOWN HEREON ARE THE PROPERTY OF THE AMPHENOL CORPORATION. NO RIGHTS OF REPRODUCTION ARE IMPLIED. ALL DIMENSIONS ARE SUBJECT TO NORMAL MANUFACTURING VARIATIONS.		<table border="1"> <tr> <td>SIZE</td> <td>TYPE</td> <td>DWG NO:</td> <td>REVISION</td> </tr> <tr> <td>B</td> <td>C-</td> <td>ATHP062S08NL16-50Sx</td> <td>A1</td> </tr> </table>	SIZE	TYPE	DWG NO:	REVISION	B	C-	ATHP062S08NL16-50Sx	A1			SCALE: NONE	SHEET 1 OF 1	
QUANTITY	MATERIALS LIST																																																
UNLESS OTHERWISE SPECIFIED 1) All dimensions are in metric(mm). 2) Tolerances are as follows: 1 PL DEC ±0.30 2 PL DEC ±0.15 3 PL DEC ±0.08 3) Note reference =	SIGNATURES		DATE																																														
	DRAWN: Regan		Dec.15.2016																																														
	CHECKED:		ENGINEER:																																														
MATERIAL SPECIFICATIONS:		APPROVAL:		<p style="text-align: center;">Amphenol</p> <p>Sine Systems - www.amphenol-sine.com 44724 Morley Drive Clinton Township, MI 48036</p>																																													
PROCESS SPECIFICATIONS:		CUSTOMER:																																															
NEXT ASSY:		THIS DRAWING IS SUPPLIED FOR INFORMATION ONLY. DESIGN FEATURES, SPECIFICATIONS AND PERFORMANCE DATA SHOWN HEREON ARE THE PROPERTY OF THE AMPHENOL CORPORATION. NO RIGHTS OF REPRODUCTION ARE IMPLIED. ALL DIMENSIONS ARE SUBJECT TO NORMAL MANUFACTURING VARIATIONS.		<table border="1"> <tr> <td>SIZE</td> <td>TYPE</td> <td>DWG NO:</td> <td>REVISION</td> </tr> <tr> <td>B</td> <td>C-</td> <td>ATHP062S08NL16-50Sx</td> <td>A1</td> </tr> </table>	SIZE	TYPE	DWG NO:	REVISION	B	C-	ATHP062S08NL16-50Sx	A1																																					
SIZE	TYPE	DWG NO:	REVISION																																														
B	C-	ATHP062S08NL16-50Sx	A1																																														
		SCALE: NONE	SHEET 1 OF 1																																														