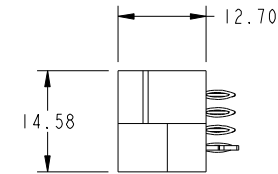
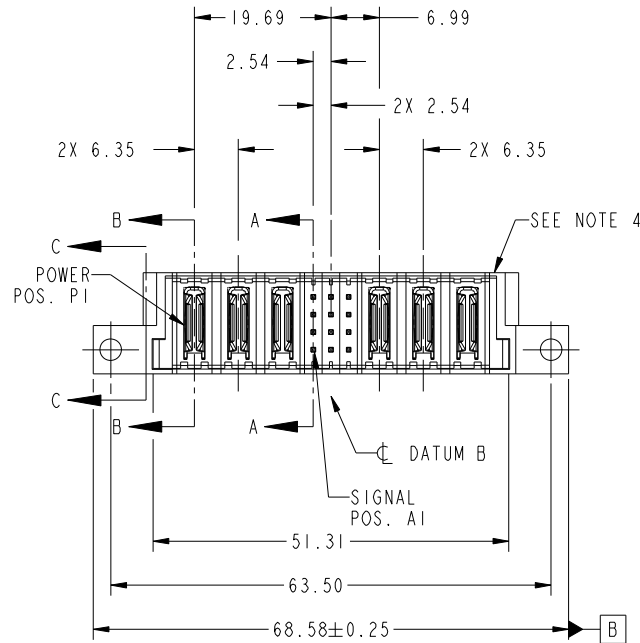
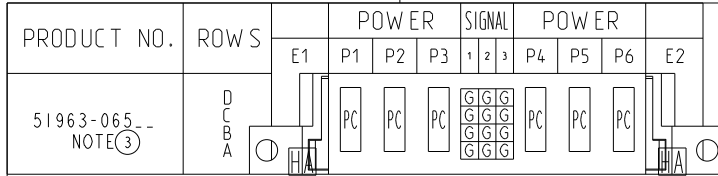


Tous droits strictement réservés. Reproduction ou communication a des tiers interdite sous quelque forme que ce soit sans autorisation écrite du propriétaire. Propriété de c FCI. Droits de reproduction FCI.

All rights strictly reserved. Reproduction or issue to third parties in any form whatever is not permitted without written authority from the proprietor. Property of FCI. Copyright FCI.



CODE	DIM "M" MATING LENGTH	CONTACT TYPE
PC	[N/A]	POWER
HA	[N/A]	HOLD-DOWN
G	[6.86]	SIGNAL

mat'l code				tolerances unless otherwise specified		CUSTOMER		www.fciconnect.com	
ltr	ecn no.	dr	date	linear	0.X ± 0.5		COPY		title 3P + 12S + 3P VERTICAL PRESS-FIT HEADER
A	DG11-0064	AL	11/03/08		0.XX ± 0.25		projection		
					0.XXX ± 0.1				
				angles	0° ± 2°				product family PwrBlade code 213
				dr	Anson Liu	11/03/08	size		sheet 1 of 4
				enr	Anson Liu	11/03/08	dwg no		
				chr	PM ZHENG	11/03/08	scale		
				appd	JOSEPH HSIA	11/03/08	1:1		
sheet index	revision sheet	A 1	A 2	A 3	A 4				

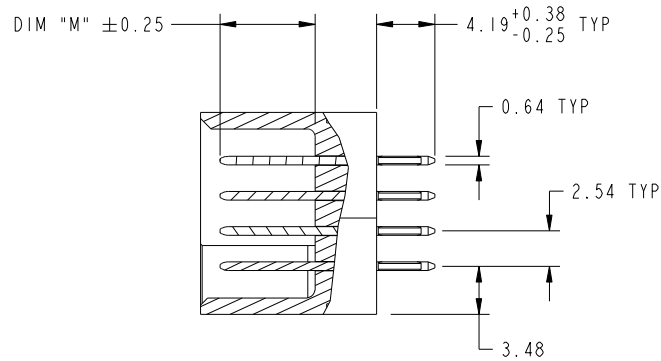
cage code 22526

Tous droits strictement reserves. Reproduction ou communication a des tiers interdite sous quelque forme que ce soit sans autorisation écrite du propriétaire. Propriete de c FCI. Droits de reproduction FCI.

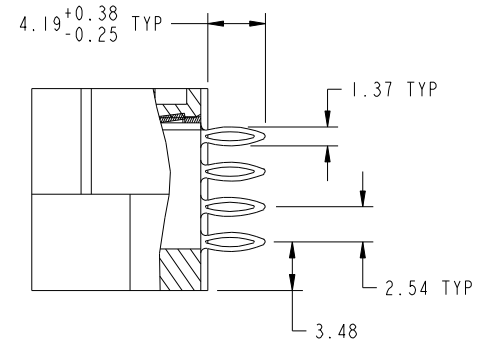


All rights strictly reserved. Reproduction or issue to third parties in any form whatever is not permitted without written authority from the proprietor. Property of FCI. Copyright FCI.

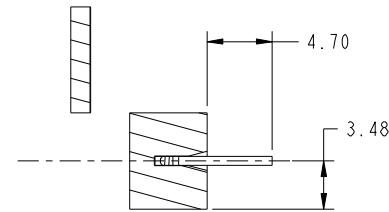
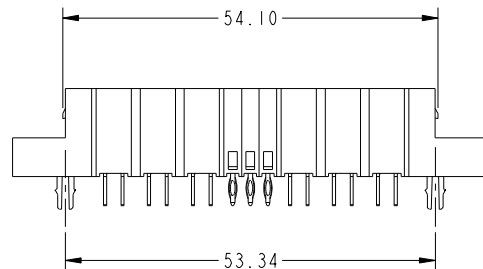
PRODUCT NUMBER
51963-065__
NOTE 3



SECTION A-A
SCALE 2:1



SECTION B-B
SCALE 2:1



SECTION C-C
SCALE 2:1

mat'l code				tolerances unless otherwise specified		CUSTOMER		FCI	
ltr	ecn no.	dr	date	linear	0.X ±0.5	COPY		www.fciconnect.com	
A					0.XX ±0.25	projection		title	
				angles	0.XXX ±0.1			3P + 12S + 3P VERTICAL PRESS-FIT HEADER	
				dr	0° ±2°	MIM		product family PwrBlade code	
				enr	Anson Liu 11/03/08			size	
				chr	Anson Liu 11/03/08	scale		dwg no	
				appd	PM ZHENG 11/03/08	1:1		51963-065	
					JOSEPH HSIA 11/03/08			sheet	
sheet index		revision sheet						2 of 4	

cage code 22526

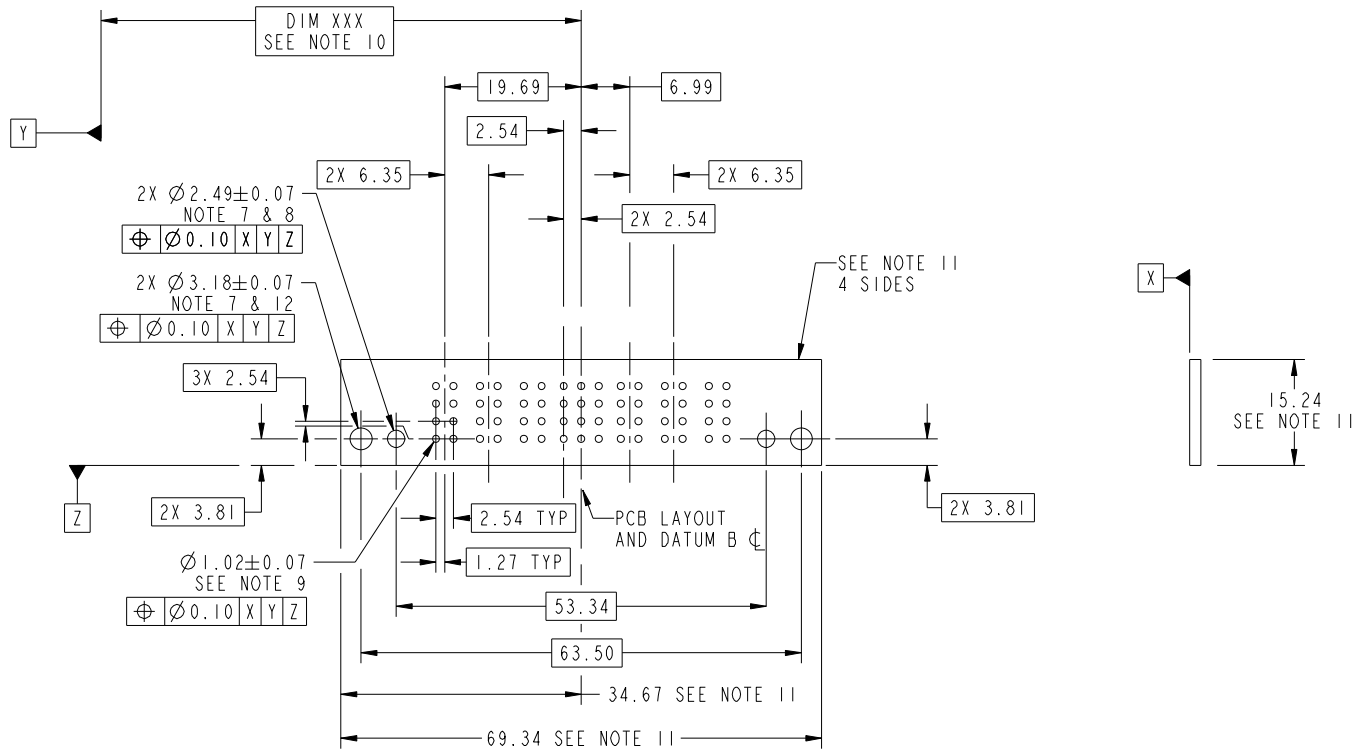
Pro/E

Tous droits strictement reserves. Reproduction ou communication a des tiers interdite sous quelque forme que ce soit sans autorisation écrite du propriétaire. Propriete de c FCI. Droits de reproduction FCI.



All rights strictly reserved. Reproduction or issue to third parties in any form whatever is not permitted without written authority from the proprietor. Property of FCI. Copyright FCI.

PRODUCT NUMBER
51963-065__
NOTE 3



RECOMMENDED PCB LAYOUT

mat'l code				tolerances unless otherwise specified		CUSTOMER		FCI	
ltr	ecn no.	dr	date	linear	0.X ± 0.5	COPY		www.fciconnect.com	
A					0.XX ± 0.25	projection		title 3P + 12S + 3P	
				angles	0.XXX ± 0.1			VERTICAL PRESS-FIT HEADER	
				dr	Anson Liu 11/03/08	MIM		product family	PwrBlade
				enr	Anson Liu 11/03/08			size	code 213
				chr	PM ZHENG 11/03/08	scale		dwg no	sheet
				appd	JOSEPH HSIA 11/03/08	1:1		A 51963-065	3 of 4
sheet index	revision sheet								

cage code 22526

Pro/E

Tous droits strictement reserves. Reproduction ou communication a des tiers interdite sous quelque forme que ce soit sans autorisation écrite du propriétaire. Propriete de c FCI. Droits de reproduction FCI.



All rights strictly reserved. Reproduction or issue to third parties in any form whatever is not permitted without written authority from the proprietor. Property of FCI. Copyright FCI.

PRODUCT NUMBER
51963-065_
NOTE 3

NOTES:

1. DIMENSIONS AND TOLERANCES ARE IN ACCORDANCE WITH ASME Y14.5M, 1994 UNLESS OTHERWISE SPECIFIED.

CONNECTOR NOTES:

- 2 HOUSING MATERIAL: UL 94 V-0 GLASS FILLED HIGH-TEMP THERMOPLASTIC
POWER CONTACT MATERIAL: COPPER ALLOY
SIGNAL PIN MATERIAL: COPPER ALLOY
- 3. SEE ITEM 3 & 4 IN PRINT 10064183 FOR PLATING SPEC OF 51963-065 AND 51963-065LF RESPECTIVELY.

4 MANUFACTURER'S NAME, DATE CODE AND OPTIONAL P/N TO APPEAR ON THIS SURFACE. THE P/N CAN BE OMITTED IF THERE IS NOT ENOUGH SPACE ON THIS SURFACE.

5. PRODUCT SPECIFICATION GS-12-149.
APPLICATION SPECIFICATION BUS-20-067.

6. PACKAGED IN TRAYS.

PCB NOTES:

- 7. ALL HOLE DIAMETERS ARE FINISHED HOLE SIZE.
- 8. MOUNTING HOLES, WHERE APPLICABLE, ARE UNPLATED.

9 $\varnothing 1.151 \pm 0.025$ DRILLED HOLES PLATED WITH 0.008 MIN SnPb OR Sn OVER .001 [0.03] TO 0.08 Cu PLATING TO ACHIEVE $\varnothing 1.02 \pm 0.07$ HOLE.

10 "DIM XXX" TO BE DETERMINED BY THE CUSTOMER.

11 CONNECTOR KEEP-OUT ZONE.

12. CUSTOMER SUPPLIES (2) #4-40 UNC SCREWS, HARDWARE TO MOUNT HEADER TO PC BOARD.

13. FOR PRESS FIT APPLICATION USE FCI CAM TOOL 430169-XXX.

mat'l code				tolerances unless otherwise specified		CUSTOMER		FCI		www.fciconnect.com	
ltr	ecn no.	dr	date	linear	0.X ± 0.5		COPY		projection	title	
A					0.XX ± 0.25		MIM			3P + 12S + 3P	
					0.XXX ± 0.1		←			VERTICAL PRESS-FIT HEADER	
				angles	0° ± 2°		MIM		product family		code
				dr	Anson Liu	11/03/08	←		PwrBlade		213
				enr	Anson Liu	11/03/08	←		size		sheet
				chr	PM ZHENG	11/03/08	←		dwg no		4 of 4
				appd	JOSEPH HSIA	11/03/08	←		A		51963-065
sheet index		revision sheet				scale		1:1			

cage code 22526

Pro/E