

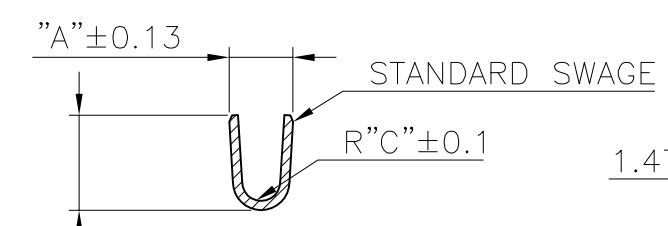
PRODUCT NO.	PLATING CODE	AWG RANGE	SPRING THICKNESS
75231-032LF	A	22-26	0.17
75231-031LF	A	22-26	0.09
75231-030LF	A	22-26	0.12
75231-029LF	A	28-32	0.17
75231-028LF	A	28-32	0.12
75231-027LF	B	22-26	0.17
75231-026LF	B	22-26	0.09
75231-025LF	B	22-26	0.12
75231-024LF	B	28-32	0.17
75231-023LF	B	28-32	0.12
75231-015LF	C	22-26	0.17
75231-014LF	C	22-26	0.09
75231-013LF	C	22-26	0.12
75231-004LF	C	28-32	0.17
75231-003LF	C	28-32	0.09
75231-002LF	C	28-32	0.12

75231-XXXLF IS SIMILAR TO 75231-XXX, THE SUFFIX 'LF' IS ADDED FOR LEAD FREE IDENTIFICATION.

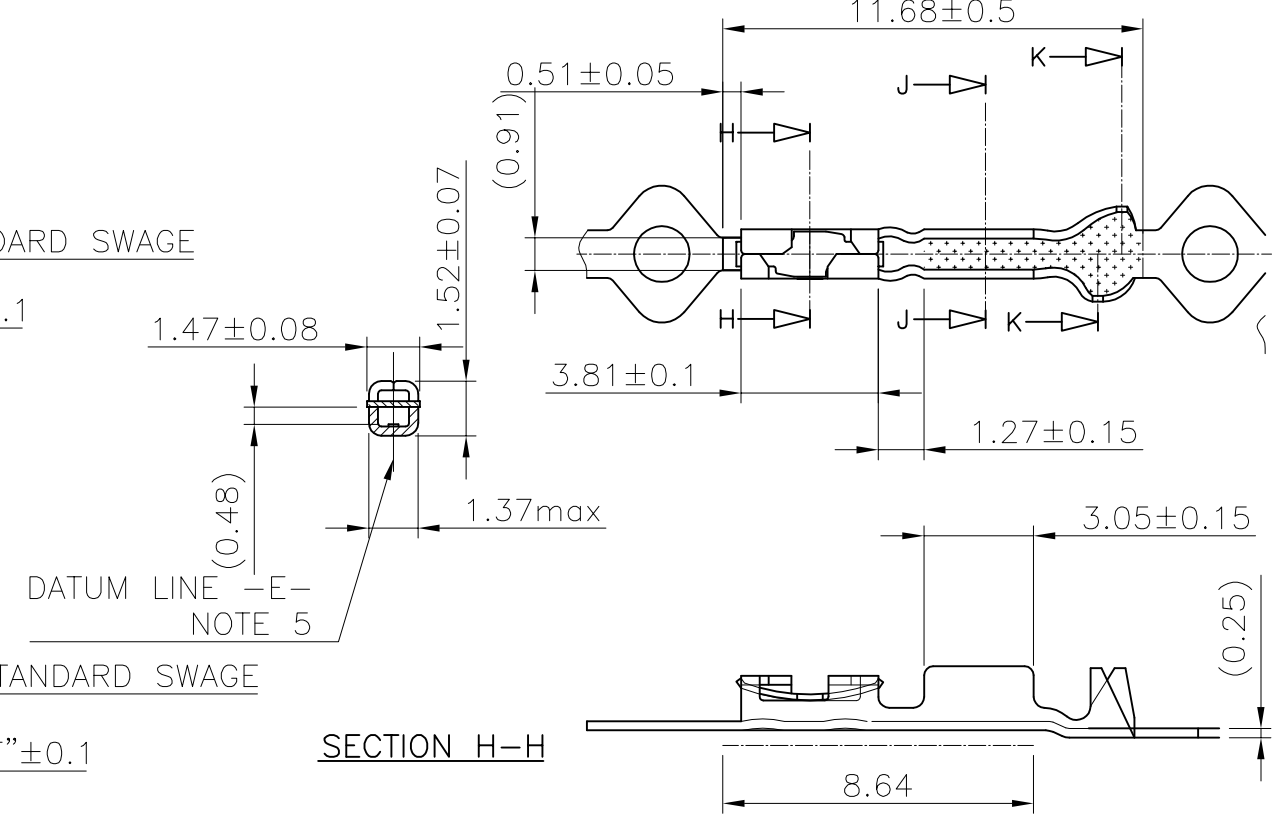
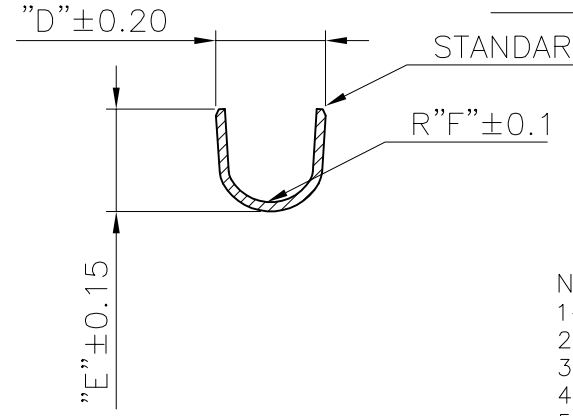
AWG RANGE	WIRE BARREL			INSULATION BRL.			INSULATION RANGE
	A	B	C	D	E	F	
22-26	1.78	1.78	0.43	1.70	1.93	0.56	0.51-1.14
28-32	1.37	1.47	0.28	1.70	1.93	0.56	0.51-1.14

PLATING CODE	PLATING THICKNESS			UNDER LAYER
	CONTACT AREA	INSIDE BOX	REMAINDER	
A	0.76µm Au	0.2µm Au	GOLD FLASH	1.3µm Ni
B	1.0µm Au	0.2µm Au	GOLD FLASH	1.3µm Ni
C	1.0µm Au	0.2µm Au	0.2µm Au	1.3µm Ni

SECTION J-J
WIRE BARREL



SECTION K-K
INSULATION BARREL



- NOTES:
- 1- MATERIAL BOX: BRASS ASTM B36, ALLOY C26000-H01.
 - 2- MATERIAL SPRING: BERYLLIUM COPPER ASTM B194, ALLOY C17200-TF00.
 - 3- PART TO BE LUBRICATED TO FACILITATE CRIMPING.
 - 4- MAXIMUM BURR ANY EDGE 0.08.
 - 5- BOTTOM SURFACE OF TERMINAL SHALL BE WITHIN 0.08 OVER 8.64 REF. LENGTH AS MEASURED ALONG DATUM LINE -E- ESTABLISHED AT C OF 1.37 DIMENSION PERFECT FORM NOT REQUIRED AT MMC.
 - 6- TAB CUT-OFF DIMENSION IS VERY CRITICAL WHEN USED IN CONJUNCTION WITH MINI-ROD AND MINI-LATCH HOUSING.
 - 7- PART TO MATE WITH 0.64 ± 0.05 SQUARE PIN.
 - 8- APPLICATION SPECIFICATIONS:
 - a BUS-20-025 PRODUCT SPECIFICATION.
 - 9- RoHS COMPATIBLE PRODUCT SPECIFICATIONS
 - a- PLATING:
 - "LF" MEANS THE PRODUCT IS LEAD-FREE,
 - b- LABELING:
 - MEETS PACKAGING SPECS AS PER GS-14-920
 - c- LEGAL STATEMENT: SEE GS-22-008
- THE PRODUCT IS NOT INTENDED TO BE EXPOSED TO A MANUFACTURING SOLDER PROCESS.

mat'l. code	surface	tolerance	projection	product family
SEE DRAWING	ISO 1302 ✓	ISO 406 ISO 101		BERGCON
ltr	ecn no	dr	date	title
B	B	HHC	83.08.31	CTW MINI PV SMALL INSULATION
C	F05-0235	DLE	05.09.13	
D	F05-0286	DLE	05.11.07	dwg no 75231 sheet 1 of 1 size A3 type CUSTOMER Drawing
E	F06-0217	DLE	06.07.11	
F	F06-0276	DLE	06.09.14	
G	F08-0160	PNZ	08.04.21	
		appd	P NZ	05.08.30
sheet index	revision sheet			