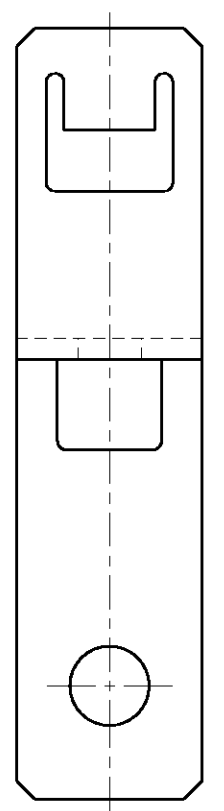


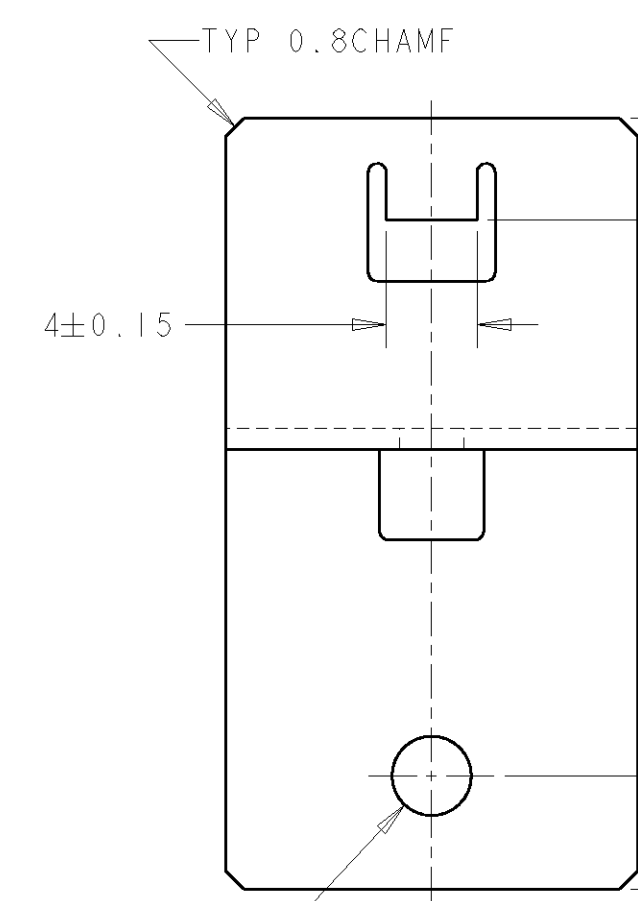
THIS DRAWING IS UNPUBLISHED. RELEASED FOR PUBLICATION 20
 © COPYRIGHT 20 BY TYCO ELECTRONICS CORPORATION. ALL RIGHTS RESERVED.

| P | LTR | DESCRIPTION | ECN | DATE | DWN | APVD |
|----|-----|-----------------------------|---------------|-----------|-----|------|
| | | | | | | |
| 0 | | RELEASED | FJ00-0726-94 | 08JUL1994 | N.M | S.M |
| A | | REVISED | FJ00-1505-94 | 27OCT1994 | K.I | S.M |
| AI | | PART NO. ADDITION & REDRAWN | ECR-05-018866 | 05DEC2005 | M.M | D.M |



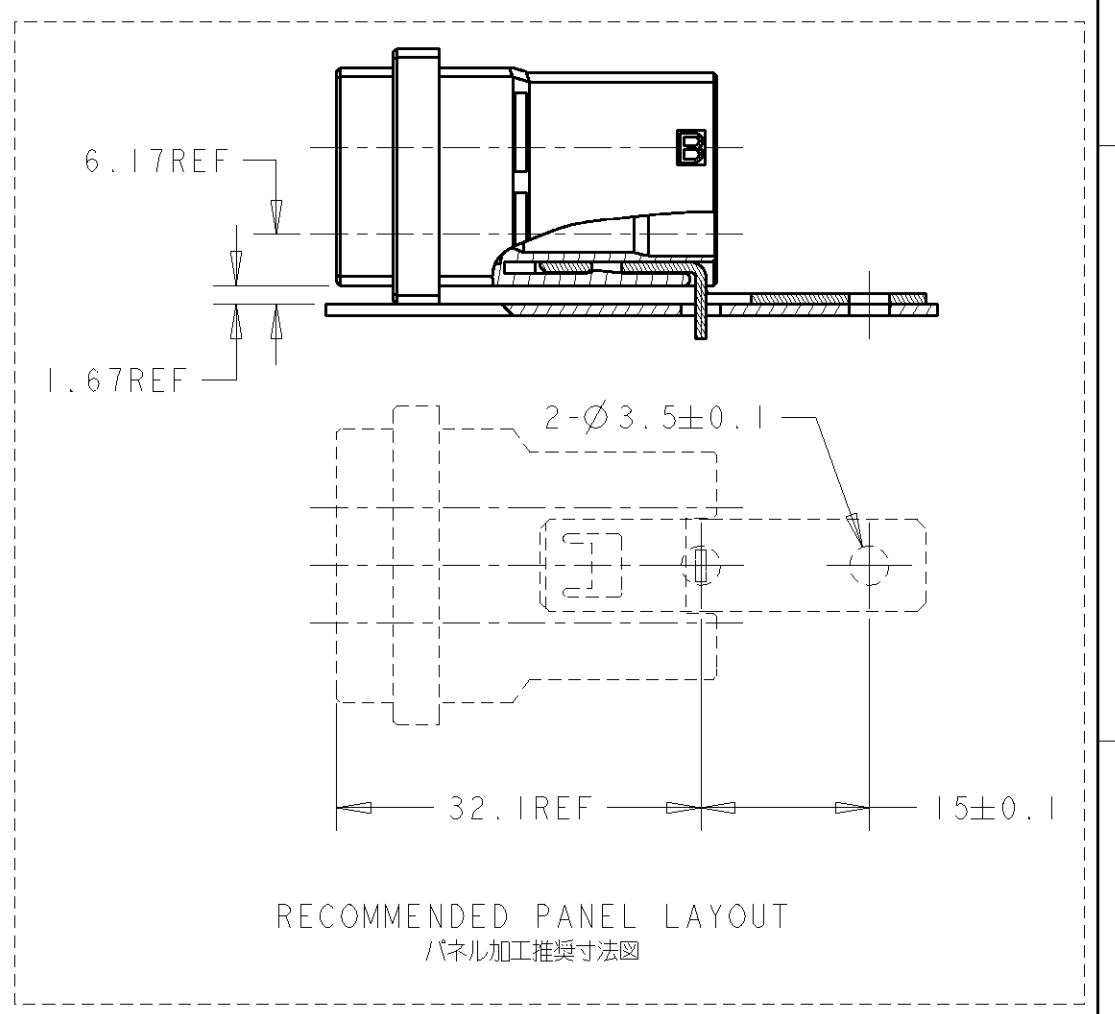
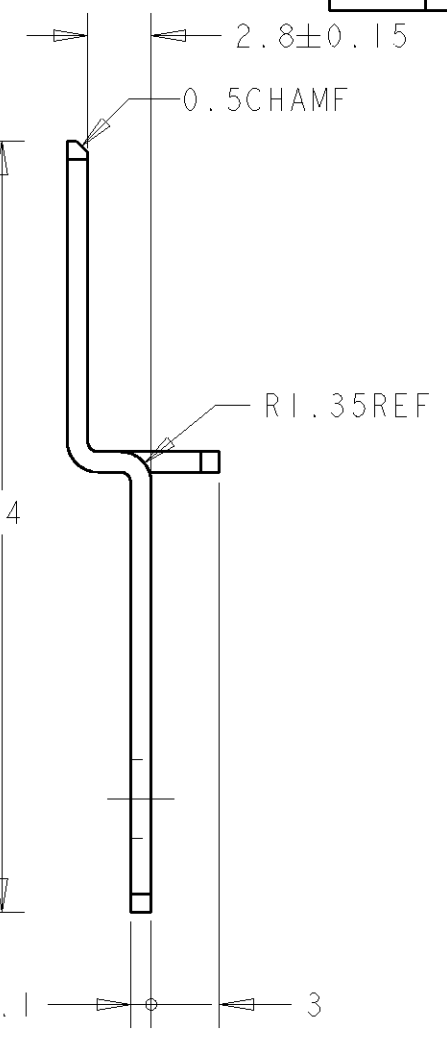
8.15±0.15

900121-2
 (AI)5900121-2
 SMALL



18.15±0.15

900121-4
 (AI)5900121-4
 LARGE



- ① MATERIAL : CARBON STEEL, THICKNESS=0.9±0.1mm
- ② FINISH : CHROMATE (Zn PLATE)
- ③ FINISH : AFTER Cu GROUND PLATING 2.5μmMIN OF ALL ASPECTS, Ni PLATE 2.5μmMIN
- ① 材料 : スチール 板厚=0.9±0.1mm
- ② 仕上 : クロメート(亜鉛めっき)処理
- ③ 仕上 : 全面銅下地めっき2.5μm以上の上に, Niめっき2.5μm以上を施す

| | | | | | |
|-------|--------|----------|----------|-----------|------|
| LARGE | ③ | ① STEEL | t=0.9 | 5900121-4 | (AI) |
| SMALL | ③ | ① STEEL | t=0.9 | 5900121-2 | (AI) |
| LARGE | ② | ① STEEL | t=0.9 | 900121-4 | |
| SMALL | ② | ① STEEL | t=0.9 | 900121-2 | |
| NAME | FINISH | MATERIAL | PART NO. | | |

| | | | | | |
|--|--|--|--|---|--|
| THIS DRAWING IS A CONTROLLED DOCUMENT FOR TYCO ELECTRONICS CORPORATION IT IS SUBJECT TO CHANGE AND THE CONTROLLING ENGINEERING ORGANIZATION SHOULD BE CONTACTED FOR THE LATEST REVISION. | | DWN M.MAEBASHI 05DEC2005 CHK T.SAKAMOTO 06JAN2006 APVD D.MITSUGI 10JAN2006 | | tyco Electronics Tyco Electronics AMP K.K. Kawasaki, Japan | |
| DIMENSIONS: 単位: 概 mm | | TOLERANCES UNLESS OTHERWISE SPECIFIED: 一般公差 ±0.3, ±3° 0-PLC ± 1-PLC ±0.5 2-PLC ±0.13 3-PLC ±0.013 4-PLC ±0.001 ANGLES ± | | PRODUCT SPEC 製品規格 108-5349 APPLICATION SPEC 取付適用規格 - | |
| MATERIAL 材料 - | | FINISH 仕上 - | | NAME 名称 "L" METAL HOOK FOR DYNAMIC FREE HANGING (D-3) | |
| WEIGHT - | | SIZE A3 | | CAGE CODE 00779 | |
| CUSTOMER DRAWING | | DRAWING NO 900121 | | RESTRICTED TO - | |
| SCALE 尺度 3:1 | | SHEET 1 OF 1 | | REV AI | |