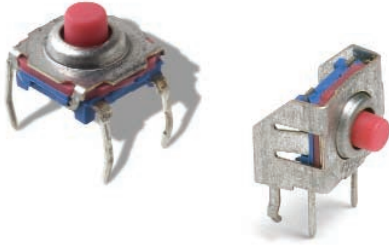


KSI Series Sealed Tact Switches



Features/Benefits

- Long and soft actuator
- Distinctive tactile feel
- 1.1 & 3 N actuation force
- Salt mist resistance 96 hours
- Ground terminal optional

Typical Applications

- Computer mouse
- Automotive
- Automation
- Door entry systems
- Remote controls

Specification

FUNCTION: Momentary action
 CONTACT ARRANGEMENT: 1 make contact = SPST, N.O.
 DISTANCE BETWEEN BUTTON CENTERS (min.): 7.62 (0.300)
 TERMINALS: PC pins

Mechanical

Type	Actuation force N (grams)	Operating life (operations)	Travel to make
KSI0M011	1.1 (110)	500,000	0,4 ± 0,15
KSI0M411	3.0 (300)	100,000	1,1 ± 0,2
KSI0V211*	2.0 (200)	300,000	0,8 ± 0,2
KSI0V411*	4.0 (400)	100,000	1,1 ± 0,2

Electrical

	Silver	Gold
MAXIMUM POWER:	1 VA	0.2 VA
MAXIMUM VOLTAGE:	50 VDC	50 VDC
MINIMUM VOLTAGE:	20 mV	20 mV
MAXIMUM CURRENT:	50 mA	10 mA
MINIMUM CURRENT:	1 mA	1 mA

DIELECTRIC STRENGTH (50 Hz, 1 min.): 300 Vrms
 CONTACT RESISTANCE: < 50 mΩ
 INSULATION RESISTANCE (100V): > 10¹¹ Ω
 BOUNCE TIME: < 1 ms

Environmental

	Silver	Gold
OPERATING TEMPERATURE:	-40°C to 90°C	-40°C to 125°C
STORAGE TEMPERATURE:	-40°C to 90°C	-55°C to 125°C

Process

SOLDERING: Protected against flux and is compatible with the following soldering processes:

- Fluxing of PCB bottom side
- Preheating at 85°C
- Wave soldering (Tin/Lead 40-60) 250°C for 2 sec.
- Cooling down to ambient temperature.
- Eventual cleaning by brushing on soldered side. TMS Freon to be avoided.

Packaging

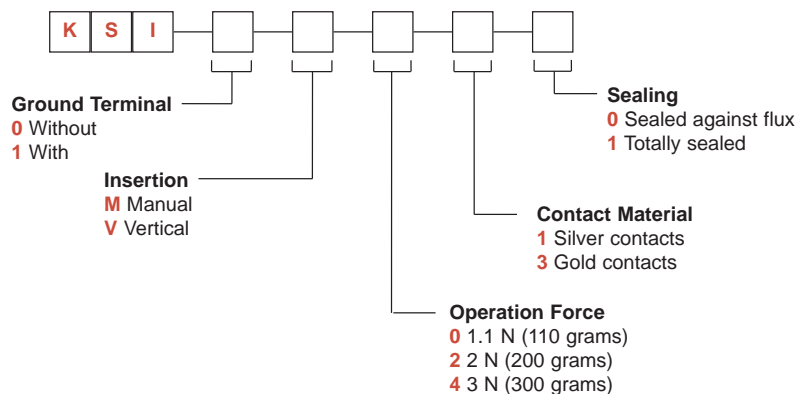
Delivered in boxes of 500 pieces.

NOTE: Part numbers listed above do not represent all possible configurations. For information on specific and custom switches, consult Customer Service Center.

* Durometer for silicone actuator is 50 shore

How To Order

Our easy build-a-switch concept allows you to mix and match options to create the switch you need. To order, select desired option from each category and place it in the appropriate box.



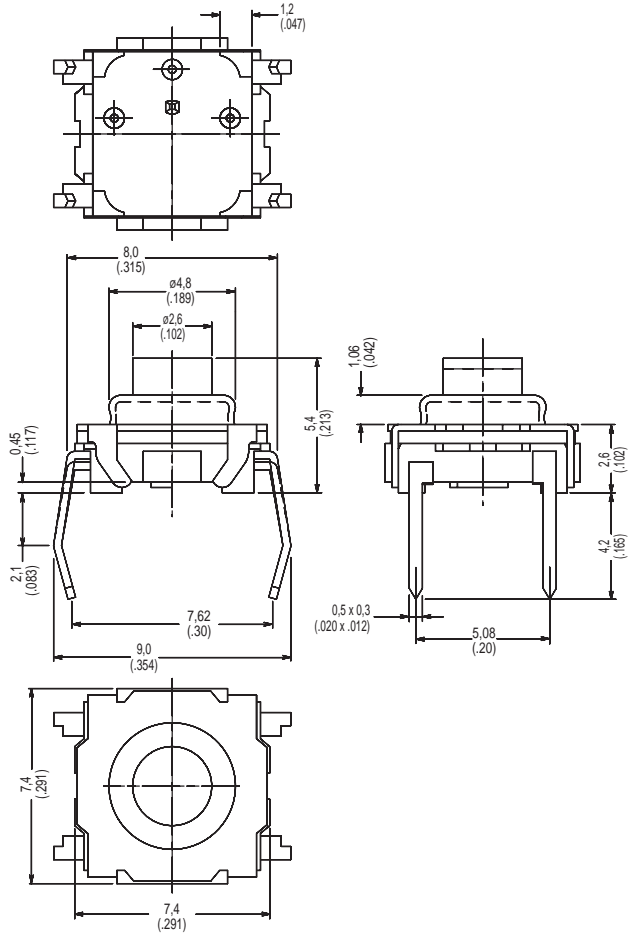
KSI Series Sealed Tact Switches

SERIES

KSI



KSI0M010



GROUND TERMINAL

0 WITHOUT

1 WITH



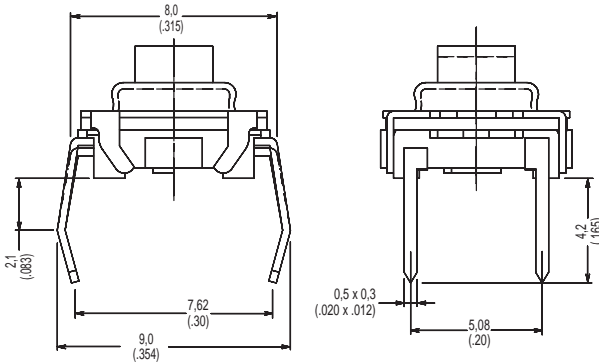
B

Tactile Switches

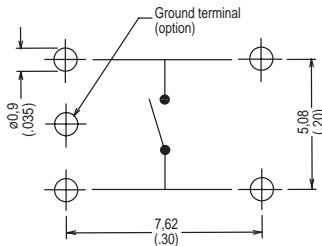
KSI Series Sealed Tact Switches

INSERTION

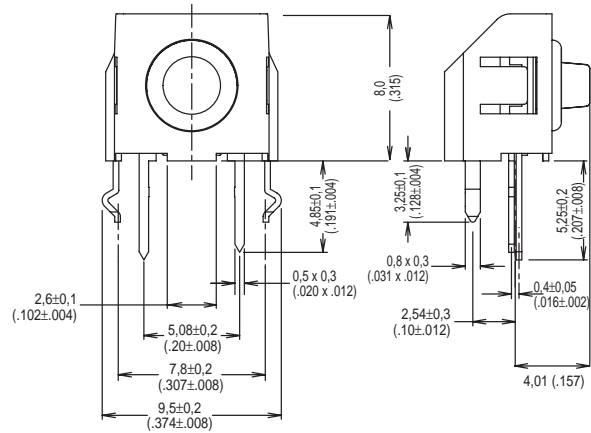
M MANUAL



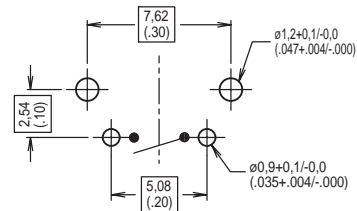
PCB LAYOUT



V VERTICAL



PCB LAYOUT



B

Tactile Switches

OPERATING FORCE

OPTION CODE	OPERATING FORCE
0	1.1 N (110 grams)
2	2 N (200 grams)
4	3 N (300 grams)

CONTACT MATERIAL

OPTION CODE	CONTACT MATERIAL
1	Silver contacts
3	Gold contacts

SEALING

OPTION CODE	SEALING
0	Sealed against flux
1	Totally sealed