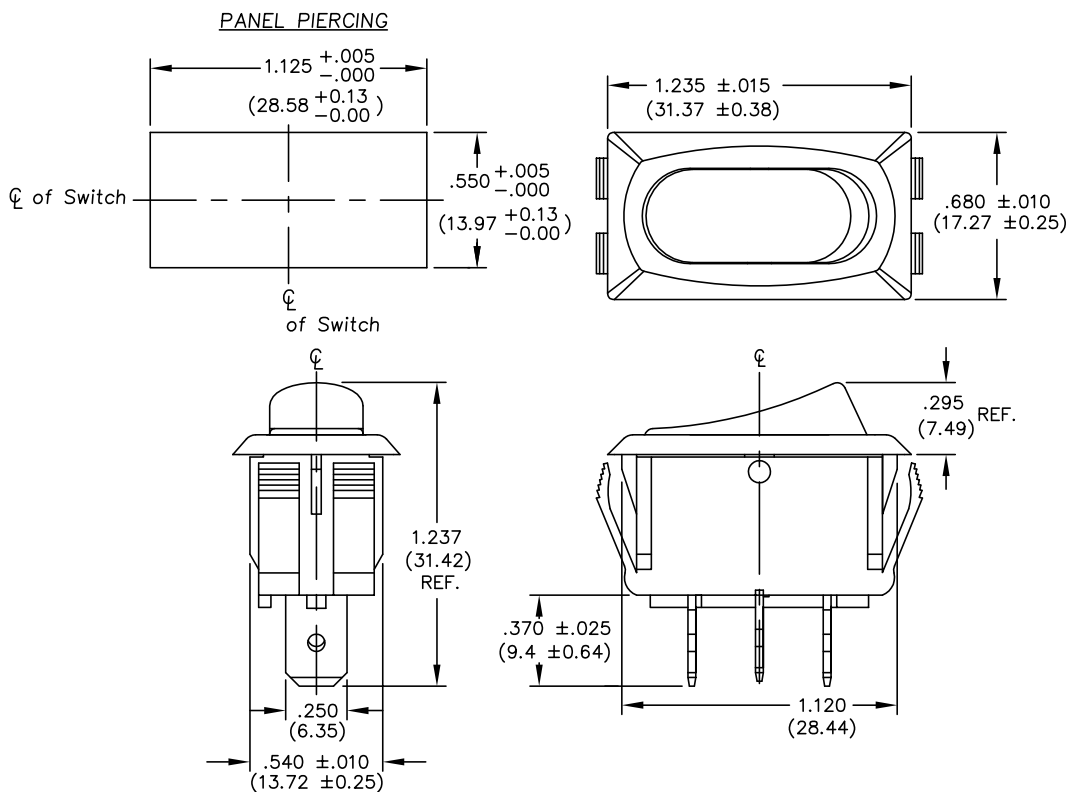


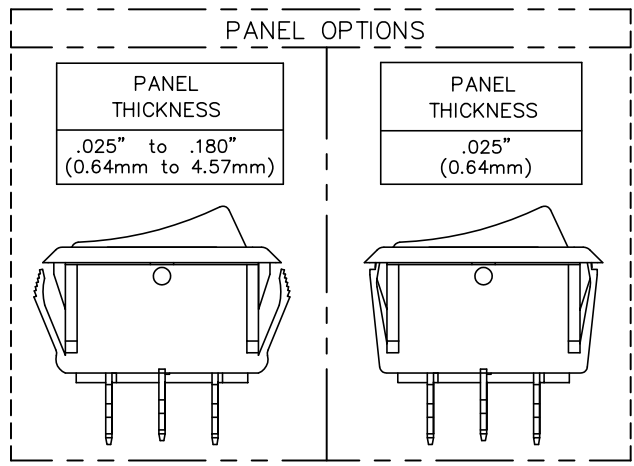
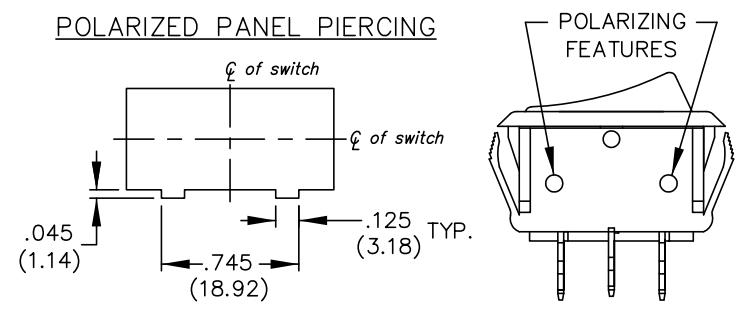
THIS INFORMATION IS CONFIDENTIAL AND PROPRIETARY TO CW INDUSTRIES INCORPORATED AND ITS AFFILIATES. IT MAY NOT BE DISCLOSED TO ANYONE OTHER THAN CW INDUSTRIES PERSONNEL, WITHOUT WRITTEN AUTHORIZATION FROM CW INDUSTRIES INCORPORATED, SOUTHAMPTON, PENNSYLVANIA USA.

DIMENSIONS IN INCHES (MILLIMETERS)  
DO NOT SCALE DRAWING .....

Dwg. No.  
GRS-2012-24XX



**POLARIZED OPTION**



**TERMINAL OPTIONS:**

.250" Wide Terminal is standard.  
(As Shown in Drawing)

.187" Wide Terminal is optional.

(MATTE FINISH)

B-FORMAT 2002	REVISIONS	1	2	3	4	5	6	7

PDF FILE MADE	<b>CW INDUSTRIES</b> Southampton, Pa. 18966	Title: <b>ROCKER SWITCH S.P.D.T. ASSEMBLY STYLE LINE</b> 1.125" x .550" PANEL
	TOLERANCES UNLESS OTHERWISE SPECIFIED	
	2 Place Decimal $\pm$ .010 3 Place Decimal $\pm$ .005 Angles ..... $\pm$ 1°	METRIC 1 Place Dec. $\pm$ .25mm 2 Place Dec. $\pm$ .13mm
	Made for: CW IND.	Division: SWITCH
Drawn by: DGW 7-09-2010	Dwg. No. GRS-2012-24XX	
Checked by:		
Approval:		