

DESIGNED & DIMENSIONED  
IN MILLIMETERS [INCHES]

MCX-J-P-X-ST-MT1

GENDER -J: JACK  
TYPE -P: PCB  
TERMINATION -MT1: MIXED TECHNOLOGY  
ORIENTATION -ST: STRAIGHT

PLATING SPECIFICATIONS  
-H: HEAVY GOLD (SEE NOTE 6 & 7)  
(MCX-J-P-F-ST-MT1-SHL)  
(MCX-J-P-ST-MT1-INS)  
(MCX-J-P-H-ST-SM1-SKT)

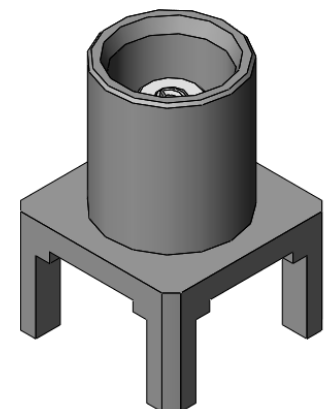
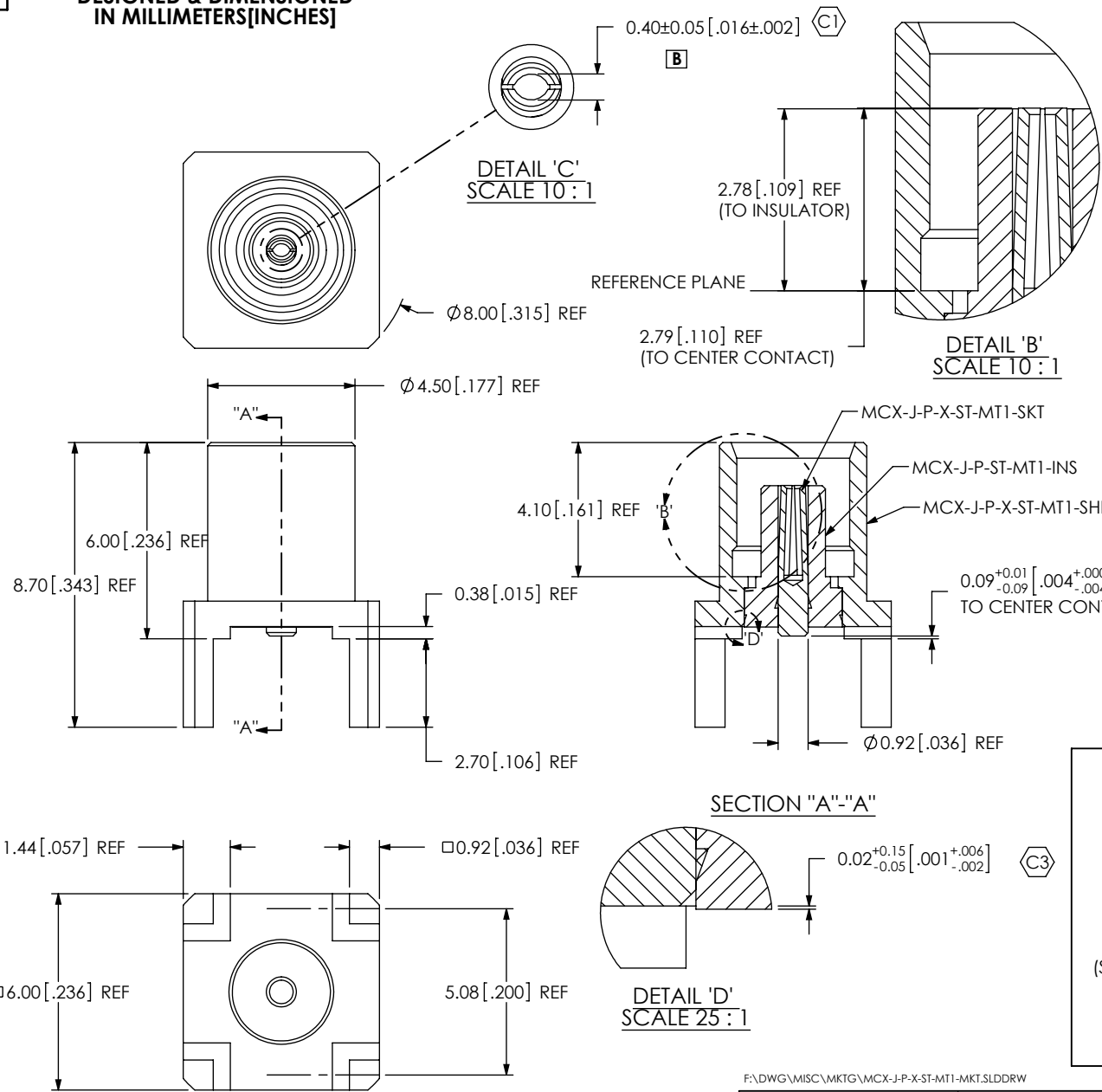
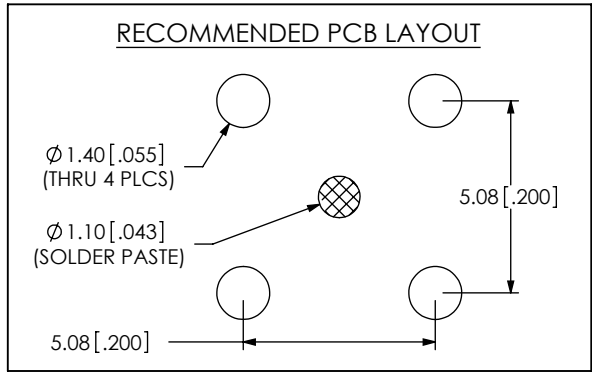



FIG.1  
MCX-J-P-X-ST-MT1 SHOWN



- NOTES:
- Ⓢ REPRESENTS A CRITICAL DIMENSION.
  - PUSHOUT FORCE FOR INSULATOR: 20 N [4.5 LB] MIN.
  - PUSHOUT FORCE FOR CENTER CONTACT: 10 N [2.25 LB] MIN.
  - PRODUCT TO BE PACKAGED PER PACKAGING STANDARD CO-HD-WI-3040-M.
  - RoHS COMPLIANT.
  - PLATING: -H: 0.000030" MIN. GOLD OVER 0.000050" MIN. NICKEL.  
-F: 0.000003" MIN. GOLD OVER 0.000050" MIN. NICKEL.
  - ASSEMBLY PLATING DESIGNATIONS:  
-H: (CENTER CONTACT)-H  
(OUTER CONTACT)-F

F:\DWG\MISC\MKTG\MCX-J-P-X-ST-MT1-MKT.SLDDRW

<p>UNLESS OTHERWISE SPECIFIED DIMENSIONS ARE IN MILLIMETERS [INCHES] TOLERANCES ARE: DECIMALS ANGLES .X: ±0.3 [01] 2° .XX: ±0.13 [005] .XXX: ±0.051 [0020]</p>	<p>PROPRIETARY NOTE THIS DOCUMENT CONTAINS INFORMATION CONFIDENTIAL AND PROPRIETARY TO SAMTEC, INC. AND SHALL NOT BE REPRODUCED OR TRANSFERRED TO OTHER DOCUMENTS OR DISCLOSED TO OTHERS OR USED FOR ANY PURPOSE OTHER THAN THAT WHICH IT WAS OBTAINED WITHOUT THE EXPRESSED WRITTEN CONSENT OF SAMTEC, INC.</p>	 520 PARK EAST BLVD, NEW ALBANY, IN 47150 PHONE: 812-944-6733 FAX: 812-948-5047 e-Mail: info@SAMTEC.com code: 55322
<p>MATERIAL: DO NOT SCALE DRAWING CONTACT: COPPER ALLOY SHELL: BRASS DIELECTRIC: PTFE</p>	<p>SHEET SCALE: 5:1</p>	<p>DESCRIPTION: MCX, STRAIGHT JACK, MIXED TECHNOLOGY - 50 OHM DWG. NO. <b>MCX-J-P-X-ST-MT1</b> BY: T. MEEK 02/12/2010 SHEET 1 OF 1</p>