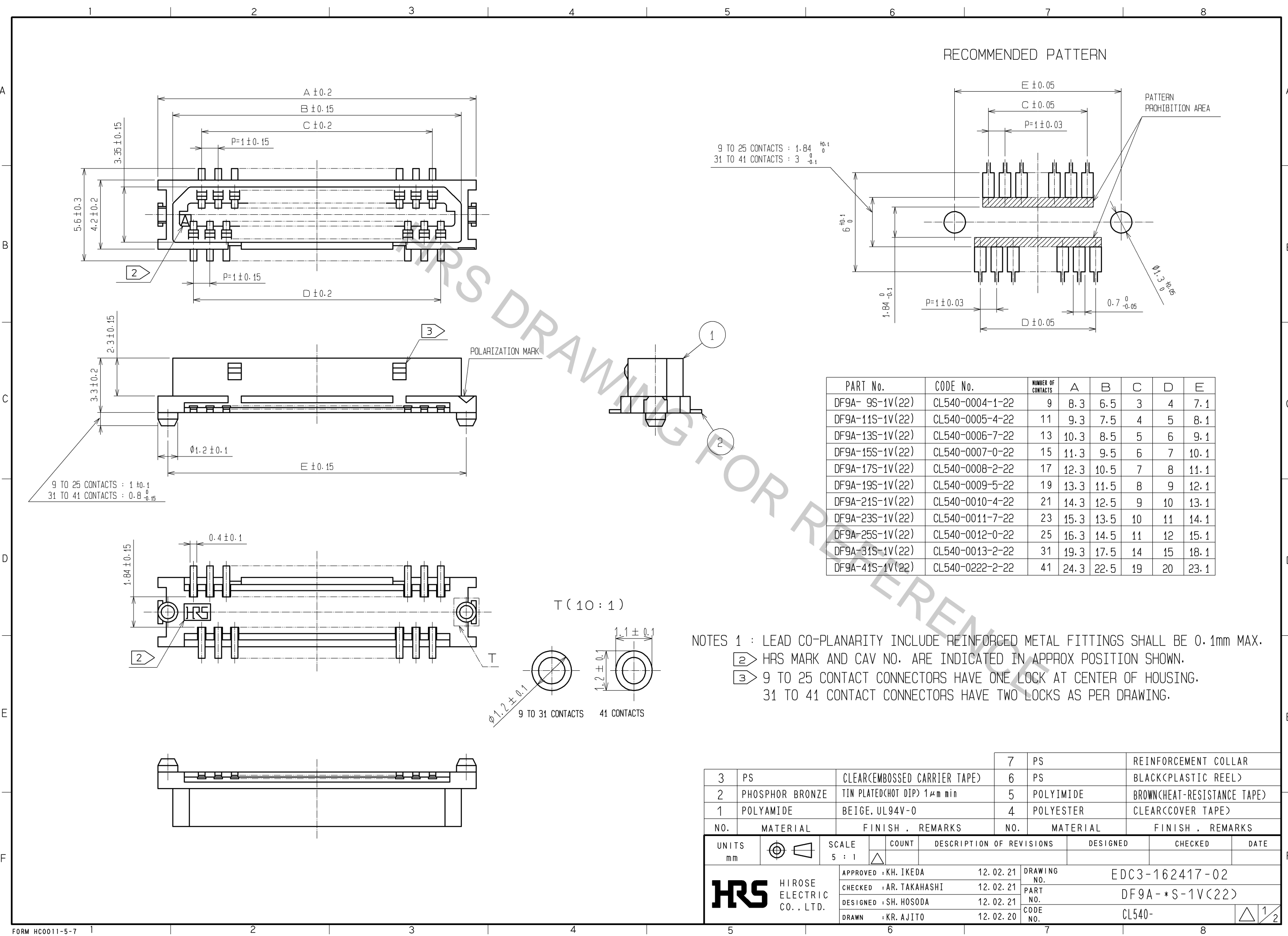


Apr.1.2017 Copyright 2017 HIROSE ELECTRIC CO., LTD. All Rights Reserved.

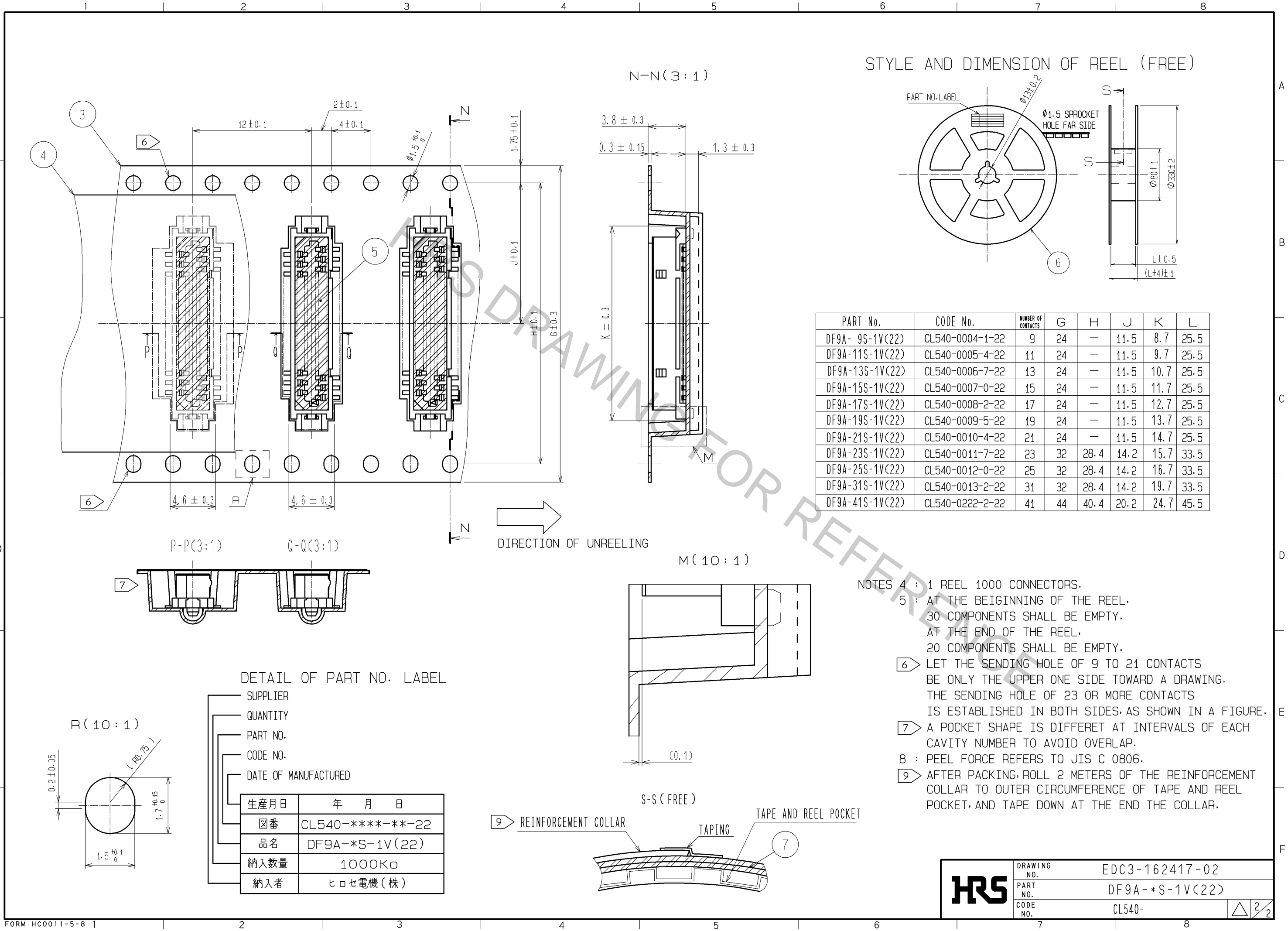


| PART No. | CODE No. | NUMBER OF CONTACTS | A | B | C | D | E |
|-----------------|-----------------|--------------------|------|------|----|----|------|
| DF9A-9S-1V(22) | CL540-0004-1-22 | 9 | 8.3 | 6.5 | 3 | 4 | 7.1 |
| DF9A-11S-1V(22) | CL540-0005-4-22 | 11 | 9.3 | 7.5 | 4 | 5 | 8.1 |
| DF9A-13S-1V(22) | CL540-0006-7-22 | 13 | 10.3 | 8.5 | 5 | 6 | 9.1 |
| DF9A-15S-1V(22) | CL540-0007-0-22 | 15 | 11.3 | 9.5 | 6 | 7 | 10.1 |
| DF9A-17S-1V(22) | CL540-0008-2-22 | 17 | 12.3 | 10.5 | 7 | 8 | 11.1 |
| DF9A-19S-1V(22) | CL540-0009-5-22 | 19 | 13.3 | 11.5 | 8 | 9 | 12.1 |
| DF9A-21S-1V(22) | CL540-0010-4-22 | 21 | 14.3 | 12.5 | 9 | 10 | 13.1 |
| DF9A-23S-1V(22) | CL540-0011-7-22 | 23 | 15.3 | 13.5 | 10 | 11 | 14.1 |
| DF9A-25S-1V(22) | CL540-0012-0-22 | 25 | 16.3 | 14.5 | 11 | 12 | 15.1 |
| DF9A-31S-1V(22) | CL540-0013-2-22 | 31 | 19.3 | 17.5 | 14 | 15 | 18.1 |
| DF9A-41S-1V(22) | CL540-0222-2-22 | 41 | 24.3 | 22.5 | 19 | 20 | 23.1 |

NOTES 1 : LEAD CO-PLANARITY INCLUDE REINFORCED METAL FITTINGS SHALL BE 0.1mm MAX.
 ② HRS MARK AND CAV NO. ARE INDICATED IN APPROX POSITION SHOWN.
 ③ 9 TO 25 CONTACT CONNECTORS HAVE ONE LOCK AT CENTER OF HOUSING.
 31 TO 41 CONTACT CONNECTORS HAVE TWO LOCKS AS PER DRAWING.

| NO. | MATERIAL | FINISH | REMARKS | NO. | MATERIAL | FINISH | REMARKS |
|-----|-----------------|--------|-----------------------------------|-----|-----------|--------|-----------------------------|
| 3 | PS | | CLEAR(EMBOSSED CARRIER TAPE) | 7 | PS | | REINFORCEMENT COLLAR |
| 2 | PHOSPHOR BRONZE | | TIN PLATED(HOT DIP) 1 μ m min | 6 | PS | | BLACK(PLASTIC REEL) |
| 1 | POLYAMIDE | | BEIGE, UL94V-0 | 5 | POLYIMIDE | | BROWN(HEAT-RESISTANCE TAPE) |
| | | | | 4 | POLYESTER | | CLEAR(COVER TAPE) |

| | | | | | | | |
|---------------------------|--|-------|----------|---|--|---------|------|
| UNITS | | SCALE | COUNT | DESCRIPTION OF REVISIONS | DESIGNED | CHECKED | DATE |
| mm | | 5 : 1 | Δ | | | | |
| HIROSE ELECTRIC CO., LTD. | | | | APPROVED : KH. IKEDA 12.02.21 CHECKED : AR. TAKAHASHI 12.02.21 DESIGNED : SH. HOSODA 12.02.21 DRAWN : KR. AJITO 12.02.20 | DRAWING NO. EDC3-162417-02 PART NO. DF9A-*S-1V(22) CODE NO. CL540- | 1/2 | |



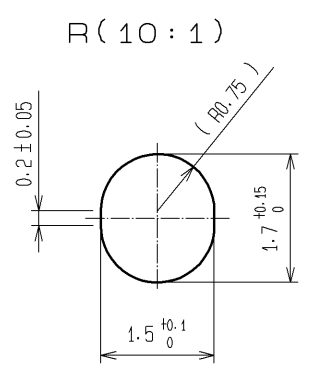
| PART No. | CODE No. | NUMBER OF CONTACTS | G | H | J | K | L |
|-----------------|-----------------|--------------------|----|------|------|------|------|
| DF9A-9S-1V(22) | CL540-0004-1-22 | 9 | 24 | — | 11.5 | 8.7 | 25.5 |
| DF9A-11S-1V(22) | CL540-0005-4-22 | 11 | 24 | — | 11.5 | 9.7 | 25.5 |
| DF9A-13S-1V(22) | CL540-0006-7-22 | 13 | 24 | — | 11.5 | 10.7 | 25.5 |
| DF9A-15S-1V(22) | CL540-0007-0-22 | 15 | 24 | — | 11.5 | 11.7 | 25.5 |
| DF9A-17S-1V(22) | CL540-0008-2-22 | 17 | 24 | — | 11.5 | 12.7 | 25.5 |
| DF9A-19S-1V(22) | CL540-0009-5-22 | 19 | 24 | — | 11.5 | 13.7 | 25.5 |
| DF9A-21S-1V(22) | CL540-0010-4-22 | 21 | 24 | — | 11.5 | 14.7 | 25.5 |
| DF9A-23S-1V(22) | CL540-0011-7-22 | 23 | 32 | 28.4 | 14.2 | 15.7 | 33.5 |
| DF9A-25S-1V(22) | CL540-0012-0-22 | 25 | 32 | 28.4 | 14.2 | 16.7 | 33.5 |
| DF9A-31S-1V(22) | CL540-0013-2-22 | 31 | 32 | 28.4 | 14.2 | 19.7 | 33.5 |
| DF9A-41S-1V(22) | CL540-0222-2-22 | 41 | 44 | 40.4 | 20.2 | 24.7 | 45.5 |

- NOTES
- 4 : 1 REEL 1000 CONNECTORS.
 - 5 : AT THE BEGINNING OF THE REEL, 30 COMPONENTS SHALL BE EMPTY. AT THE END OF THE REEL, 20 COMPONENTS SHALL BE EMPTY.
 - 6 : LET THE SENDING HOLE OF 9 TO 21 CONTACTS BE ONLY THE UPPER ONE SIDE TOWARD A DRAWING. THE SENDING HOLE OF 23 OR MORE CONTACTS IS ESTABLISHED IN BOTH SIDES, AS SHOWN IN A FIGURE.
 - 7 : A POCKET SHAPE IS DIFFERET AT INTERVALS OF EACH CAVITY NUMBER TO AVOID OVERLAP.
 - 8 : PEEL FORCE REFERS TO JIS C 0806.
 - 9 : AFTER PACKING, ROLL 2 METERS OF THE REINFORCEMENT COLLAR TO OUTER CIRCUMFERENCE OF TAPE AND REEL POCKET, AND TAPE DOWN AT THE END THE COLLAR.

DETAIL OF PART NO. LABEL

- SUPPLIER
- QUANTITY
- PART NO.
- CODE NO.
- DATE OF MANUFACTURED

| | |
|------|------------------|
| 生産月日 | 年 月 日 |
| ☒番 | CL540-****-**-22 |
| 品名 | DF9A-*S-1V(22) |
| 納入数量 | 1000K口 |
| 納入者 | ヒロセ電機(株) |



| | | |
|------------|-------------|----------------|
| HRS | DRAWING NO. | EDC3-162417-02 |
| | PART NO. | DF9A-*S-1V(22) |
| | CODE NO. | CL540- |