

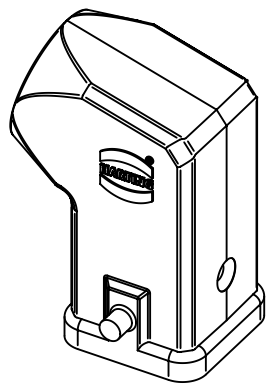
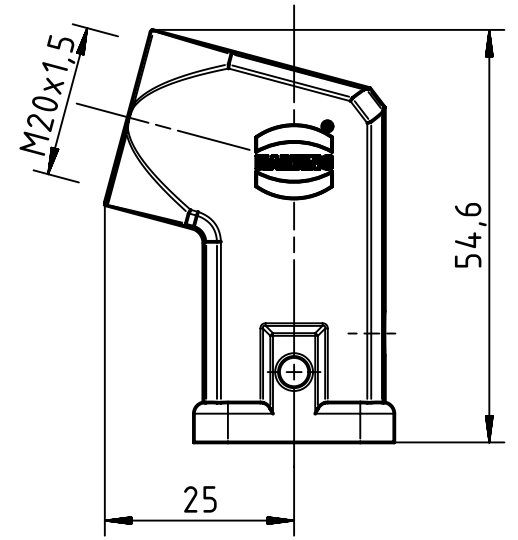
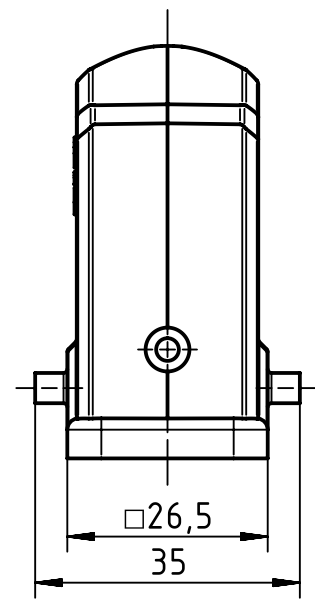
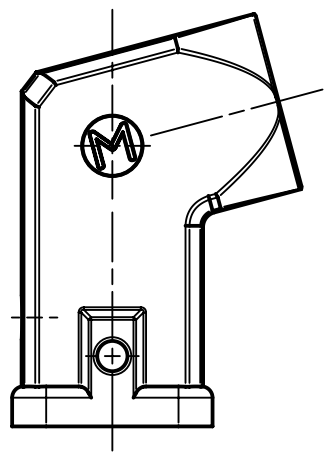
1 2 3 4 5 6


A

B

C

D



	All Dimensions in mm Original Size DIN A4		Scale 1:1	Free size tol.		Ref.	
	All rights reserved Department EL PD - DE		Created by PRIESTER	Inspected by BERGHORN	Standardisation TIEMANNA	Date 2014-05-14	State Final Release
HARTING Electric GmbH & Co. KG D-32339 Espelkamp			Title Han A Hood Angled Entry 2 Pegs M20			Doc-Key / ECM-Nr. 100198419/UGD/005/A 500000074473	
			Type TB	Number 19 20 003 0620		Rev. A	Page 1/1