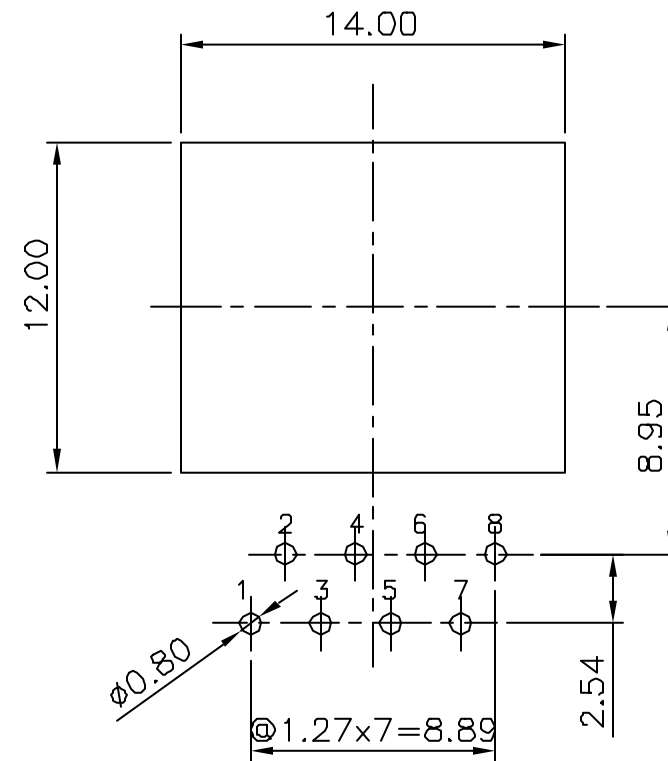
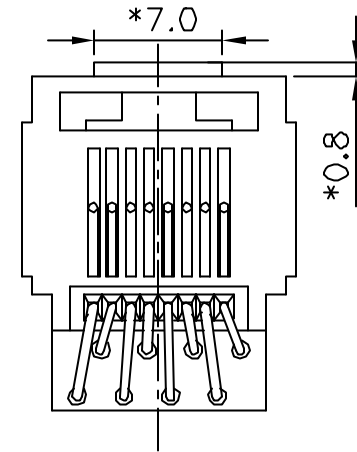
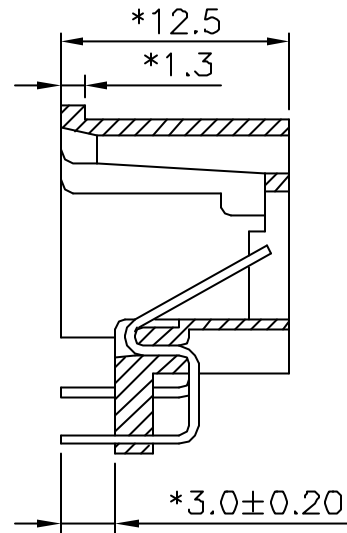
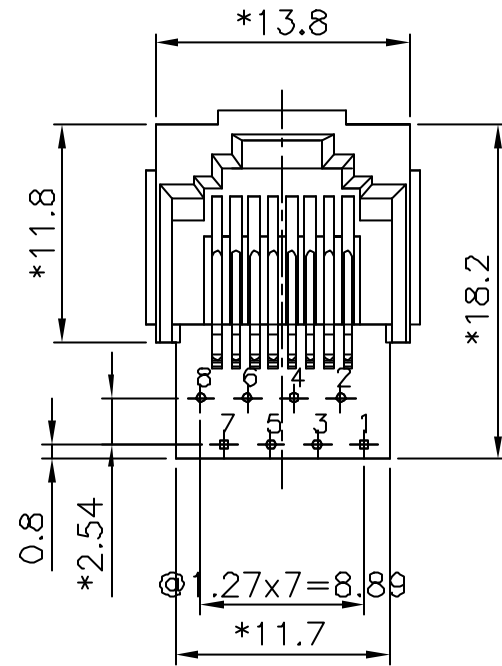


REVISION RECORD				
REV	ECO	DESCRIPTION	DRFT	CHKD



NOTES:

ELECTRICAL;

- 1.VOLTAGE RATING : 125 VAC RMS.
- 2.CURRENT RATING : 1.5 AMP.
- 3.CONTACT RESISTANCE : 30 MILLIOHMS MAX.
- 4.INSULATION RESISTANCE : 1000 MEGOHMS MIN @ 500 VDC.
- 5.DIELECTRIC STRENGTH : 1000 VAC RMS 60Hz, 1MIN.

MECHANICAL:

- 1.HOUSING MATERIAL : GLASS FILLED POLYESTER UL94V-0.
- 2.CONTANT MATERIAL : PHOSPHOR BRONZE Ø0.46mm.
- 3.PLATING : GOLD PLATING OVER NICKEL.
- 4.OPERATING LIFE : 750 CYCLES MIN.
- 5.PCB RETENTION PRE-SOLDER : 1 LB MIN.
- 6.PCB RETENTION POST-SOLDER : 10 LBS MIN.

ENVIRONMENTAL:

- 1.STORAGE : -40°C TO +85°C.
- 2.OPERATION : 0°C TO 70°C.

MATES WITH MODULAR PLUG CONFORMING TO FCC PART 68, SUBPART F.

PART NUMBER:E528X-SQ0XKX

- 2- 2C
- 4- 4C
- 6- 6C
- 8- 8C
- 1- 3u" 2- 6u"
- 3-15u" 4-30u"
- 5-50u" 6-Pd20u"
- 0- A06-0100 BK.
- 4- A06-0110 GY.

PC Board Layout Component Side Shown

DETACHED LISTS	← MM (INCH) →	DFTO PSP	DATE 03/11/02'	FULL RISE ELECTRONIC CO., LTD	
	TOLERANCES EXCEPT AS NOTED	CHKD YICUN	DATE 2003/02/14		
	MM	MFD	DATE	TITLE BOTTOM ENTRY PCB JACK (8P)	
	.0 ±0.20 ±	APPLSHY	DATE 2003/02/14		
.00 ±0.15 ±	MATERIAL :		DRAWING NO. GE523053		
.000 ±0.075 ±	QT'Y :		/PART NO. SEE NOTE		
ANGLES ±	FINISH :		DO NOT SCALE DRAWING		
THIRD ANGLE PROJECTION	SCALE : 2:1		SHEET X OF Y		

H
G
F
E
D
C
B
A