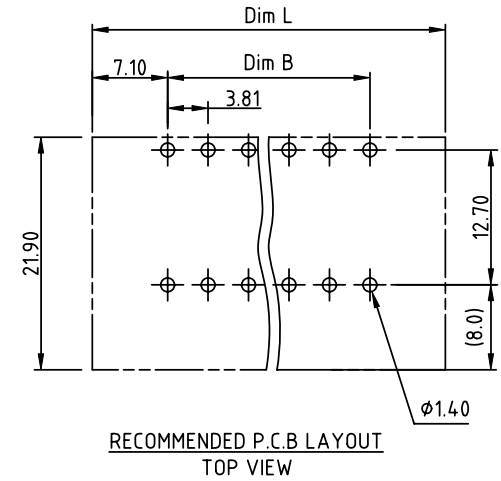
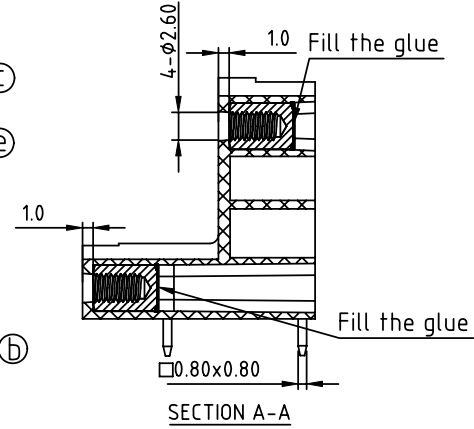
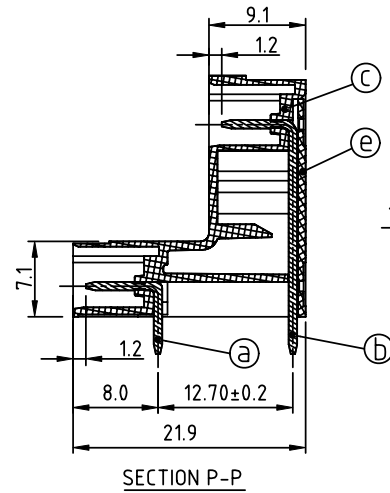
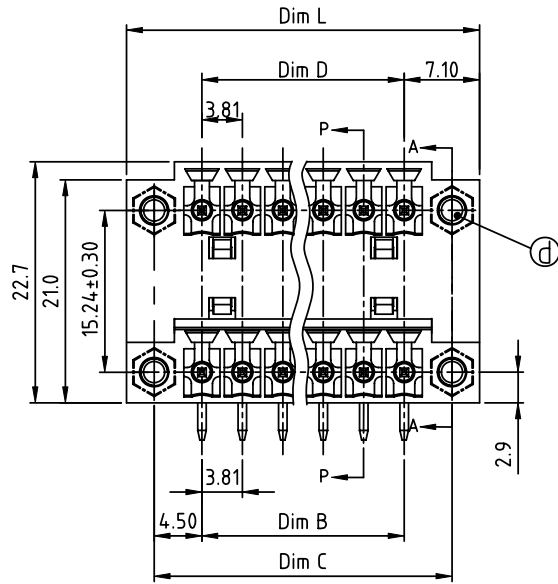


PRODUCT NUMBER	PITCH
VOxx32x100J0G	3.81 mm



- Material:
- ItemⓐShort pin: Copper, Tin plated
  - ItemⓓLong pin: Copper, Tin plated
  - ItemⓐTerminal(housing): Thermoplastic (UL94 V-0)
  - ItemⓐWith flange nut: Brass ,M2.5
  - ItemⓐTerminal(cover): Thermoplastic (UL94 V-0)
- Electrical: cULus
- Voltage rating: 300V
  - Current rating: 10A
  - Withstanding Voltage: 1.6 KV
  - Operating temperature: -40°C to +115°C
  - Soldering temperature: 260°C±5°C/5 Sec
  - Safety Approval:

N = Number of poles  
 Dim L=(N/2-1)×3.81+14.2  
 Dim B=(N/2-1)×3.81  
 Dim C=(N/2-1)×3.81+9.0  
 Dim D=(N/2-1)×3.81

Poles	Tolerance
2x2P-2x5P	±0.15
2x6P-2x10P	±0.20
2x11P-2x15P	±0.25
2x16P-2x20P	±0.30
2x21P-2x24P	±0.35

PART NO.: VO xx 32 x 1 00J0 G

Solid block	Color	RoHS compliant (lead<4%) In copper Alloy
No. of poles	0 Black (RAL9005)	
04 2x2poles	2 Red (RAL3001/D)	
06 2x3poles	3 Orange(RAL2011/P)	
...	4 Yellow(RAL1018/A)	
...	5 Green(RAL6018/T)	
48 2x24poles	6 Blue (RAL5015/A)	
	8 Grey(RAL7035/D)	
	9 White(RAL1102)	
	C Green(RAL6018/U)	

mat'l. code		surface ASME Y14.5	tolerance ASME Y14.5	projection	product family
ltr	ecn no	dr	date		TERMINAL BLOCK
				tolerances unless otherwise specified	title
				angles	TERMINAL BLOCK
				φ	PLUGGABLE SOCKET, WITH FLANGE, RIGHT ANGLE
				X°±1°	scale
		dr	EVIN ZHONG	043014	dwg no
		enr	EVIN ZHONG	043014	sheet 1 of 1
		chr	HANKE FENG	043014	size
		appd	SHI JUN	043014	VOxx32x100J0G
					A4
sheet index	revision	A			type
	sheet	1			CUSTOMER Drawing