

This document is the property of Amphenol Corporation and is delivered on the express condition that is not to be disclosed, reproduced or used, in whole or in part, for manufacture or sale by anyone other than Amphenol Corporation without its prior consent, and that no right is granted to disclose or to use any information in this document.

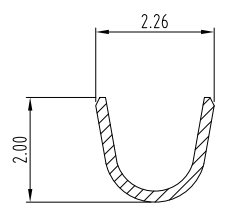
The marking on this product doesn't contain environmental hazardous materials per Material Specification SS-00259 for Sony GP compliant or per directive 2011/65/EU for RoHS compliant or per IEC 61249-2-21 for Halogen-Free compliant.

FOR REFERENCE ONLY

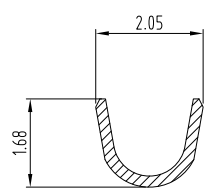
REVISIONS				
SYM	ECN No.	DESCRIPTION	DATE	BY
AX1	NE-XXXXX	UNRELEASED REVISION	2016.4.24	Joseph Jiang
AX2	NE-XXXXX	UNRELEASED REVISION	2018.5.3	Joseph Jiang



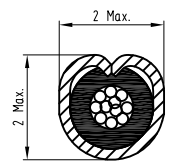
SECTION: C-C



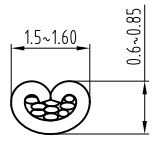
SECTION: A-A



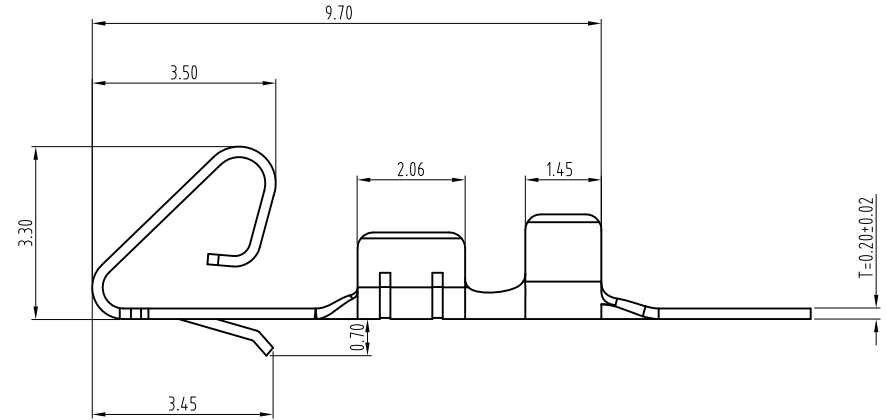
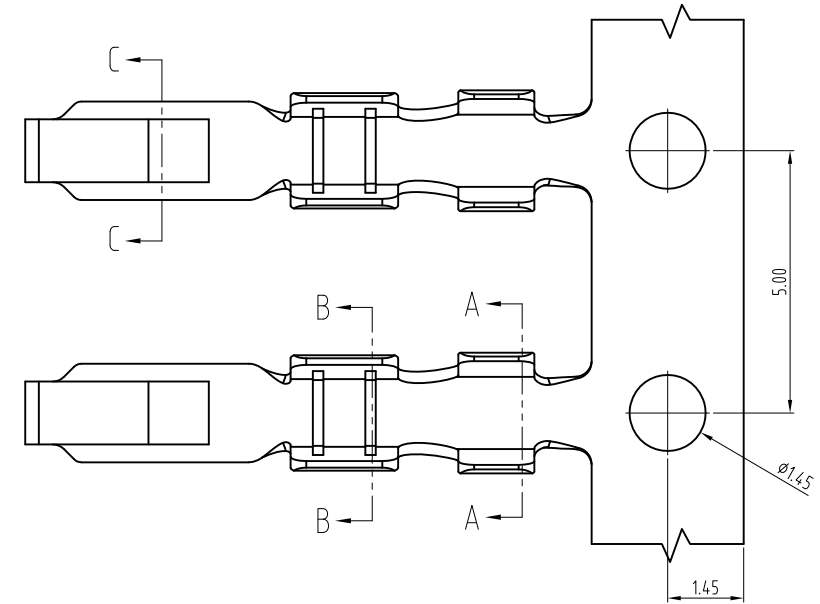
SECTION: B-B



Insulation after crimping



Conductor after crimping



PARTS No.: GFMF01T0 X R0000HR

FINISH
 0: TIN
 1: GF
 2: 15 μ"
 3: 30 μ"

NOTES:

- MATERIAL:
TERMINAL: COPPER ALLOY.
- FINISH:
TERMINAL:
CONTACT AREA: SECTIVE GOLD PLATING ;
SOLDERING AREA: MATTE TIN PLATING 100 μ" THICKNESS MIN.;
UNDER PLATING: NICKEL PLATING 50 μ" THICKNESS MIN. OVERALL.
- THIS PRODUCT DOESN'T CONTAIN ENVIRONMENTAL HAZARDOUS PER DIRECTIVE 2011/65/EU FOR RoHS COMPLIANT.

TOLERANCE	DRAWN	APPROVALS	DATE	TITLE	UNIT	SIZE	PART No.
X. X.X ±0.30 X.XX ±0.20 X.XXX ±0.10	DESIGNED	Joseph Jiang	2018.5.3	CRIMP TERMINAL FOR FAN CONNECTOR	mm	A3	GFMF01TOXR0000HR
	CHECKED	Chenny Yeh	2018.5.3				
	APPROVED	Hank Hsu	2018.5.3				
ANGULAR ±2°	DWG TYPE	CUST DWG	PROJECT CODE		SCALE		
UNLESS OTHERWISE SPECIFIED			TXXX		NA	SHEET 1 OF 2	DWG No. GFMF01TOXR0000HR REV. AX2

Amphenol®

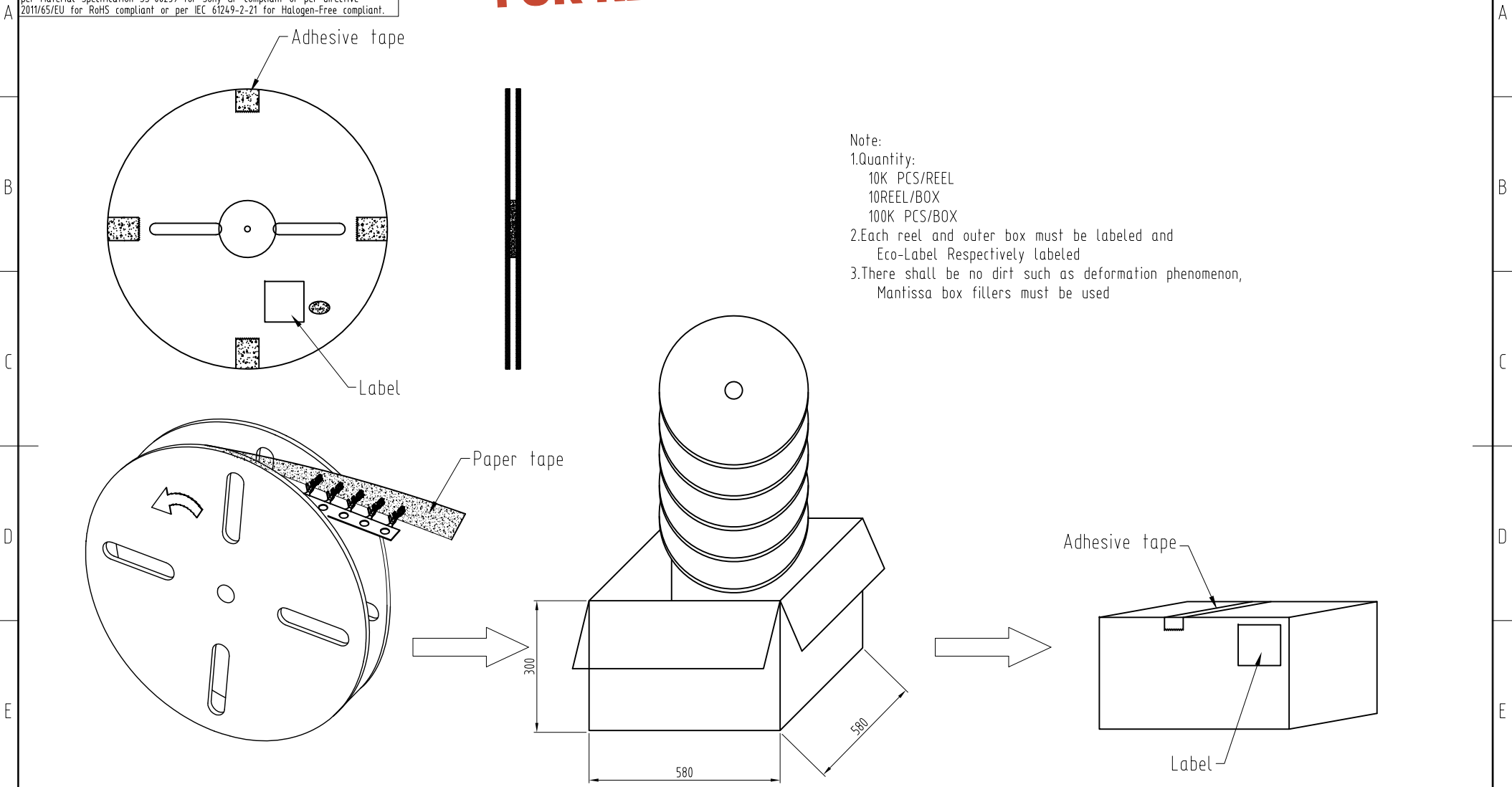
Amphenol Corporation
Amphenol Taiwan Corporation

This document is the property of Amphenol Corporation and is delivered on the express condition that is not to be disclosed, reproduced or used, in whole or in part, for manufacture or sale by anyone other than Amphenol Corporation without its prior consent, and that no right is granted to disclose or to use any information in this document.

The marking on this product doesn't contain environmental hazardous materials per Material Specification SS-00259 for Sony GP compliant or per directive 2011/65/EU for RoHS compliant or per IEC 61249-2-21 for Halogen-Free compliant.

FOR REFERENCE ONLY

REVISIONS				
SYM	ECN No.	DESCRIPTION	DATE	BY
AX1	NE-XXXXX	UNRELEASED REVISION	2016.4.24	Joseph Jiang
AX2	NE-XXXXX	UNRELEASED REVISION	2018.5.3	Joseph Jiang



Note:

- Quantity:
10K PCS/REEL
10REEL/BOX
100K PCS/BOX
- Each reel and outer box must be labeled and Eco-Label Respectively labeled
- There shall be no dirt such as deformation phenomenon, Mantissa box fillers must be used

TOLERANCE	DRAWN	APPROVALS	DATE	TITLE	Amphenol®							
X. X.X ±0.30 X.XX ±0.20 X.XXX ±0.10	DESIGNED	Joseph Jiang	2018.5.3	CRIMP TERMINAL FOR FAN CONNECTOR	Amphenol Corporation Amphenol Taiwan Corporation							
	CHECKED	Chenny Yeh	2018.5.3									
ANGULAR ±2°	APPROVED	Hank Hsu	2018.5.3		UNIT	mm	SIZE	A3	PART No.	GFMF01TOXR0000HR		
UNLESS OTHERWISE SPECIFIED	DWG TYPE	CUST DWG			SCALE	NA	SHEET	2 OF 2		DWG No.	GFMF01TOXR0000HR	REV.