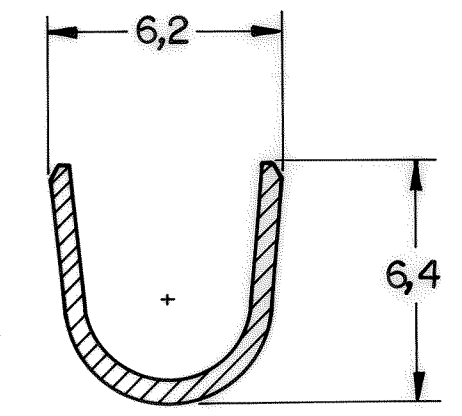
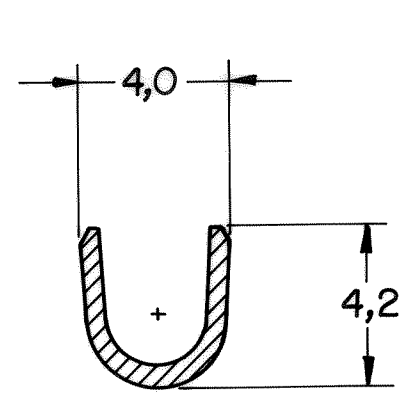
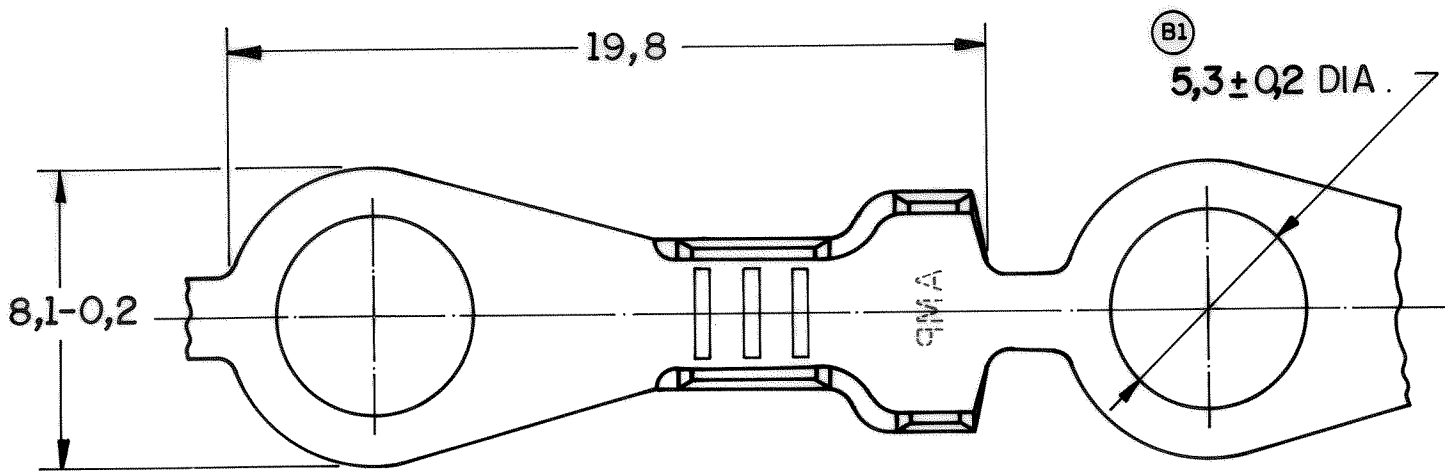


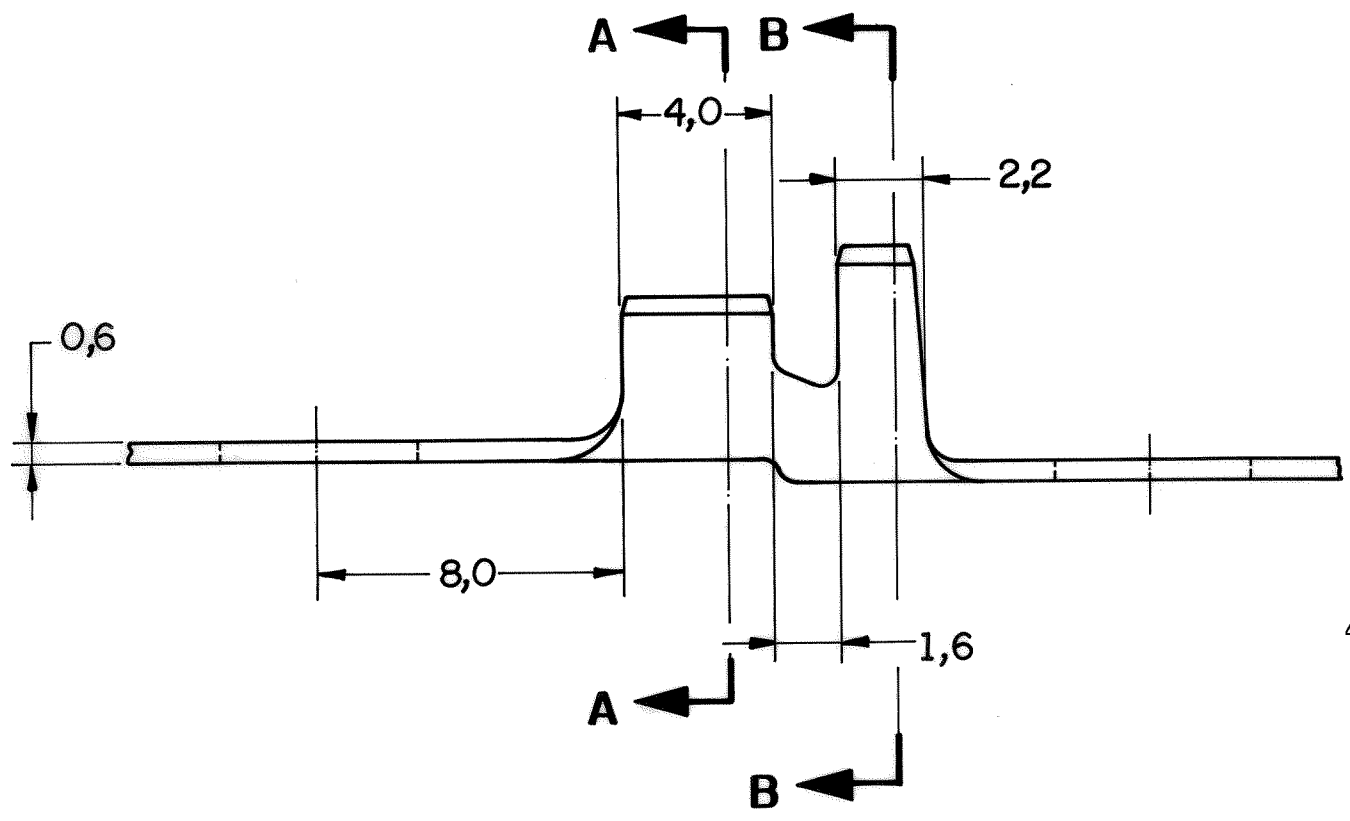
C 880643 1 OF 1

DWG NO.		DO NOT SCALE		METRIC		3rd ANGLE PROJECTION	
		DIMENSIONS IN mm.					
REQ. PER ASSY	ITEM	DESCRIPTION	MATERIAL	FINISH			



CORTE A-A
SECTION

CORTE B-B
SECTION



⚠️ - REBOBINAR INTERCALANDO COM PAPEL.
- REELING WITH PAPER-INTERLEAVE.

⚠️ OBSOLETE PARTS: OBSOLETE CIS STREAMLINING PER D.RENAUD/D.SINIS

⚠️	OBSOLETE	⚠️	ESTANHADO/TIN PLATED	LATÃO / BRASS	-6
			NIQUELADO/NICKEL PLATED	LATÃO / BRASS	-5
(B2)	OBSOLETE		ESTANHADO/TIN PLATED	BRONZE FOSF./PHOSP. BR.	-4
(B2)	OBSOLETE			BRONZE FOSF./PHOSP. BR.	-3
			ESTANHADO/TIN PLATED	LATÃO / BRASS	-2
				LATÃO / BRASS	-1
				FINISH	PART NUMBER

CUSTOMER DWG
for REFERENCE ONLY

THIS DRAWING IS UNPUBLISHED | RELEASED FOR PUBLICATION
 © COPYRIGHT 19 BY AMP DO BRASIL LTDA S.P. ALL INTERNATIONAL RIGHTS RESERVED AMP PRODUCTS MAY BE COVERED BY U.S. AND FOREIGN PATENTS AND/OR PATENTS PENDING.
 TOLERANCES UNLESS OTHERWISE STATED
 INS. DIA. RANGE 2,7-4,0mm WIRE RANGE >1,0-2,5mm² SCALE 5:1
 DEC. ± 0,3
 ANGLES ± 1°

DR. N.C. LAPRESA
11-APR-94
AMP AMP do BRASIL LTDA.
São Paulo, Brasil

B3	REVISED PER ECO-09-026444		KK	AEG	26NOV09	CHK.	15-AB	DESCRIPTION RING TONGUE
B2	Revised By EC-LB 00	0336/01	HS	05 SEP 01		J.R. FOLDSCHMIDT		
B1	WAS 5,3+0,2 DIA.	132-98	DAR	13-MAY-98	DE	J. Guinther 15 APR 94		
B	REDESENHADO C/ MODIF.	118/94	NCL	11-APR-94	APP	15 APR 94		
ISS	REVISION RECORD	ECN	DR	CHK	DATE	APP		A3

DWG NO. **C 880643** SHEET 1 OF 1