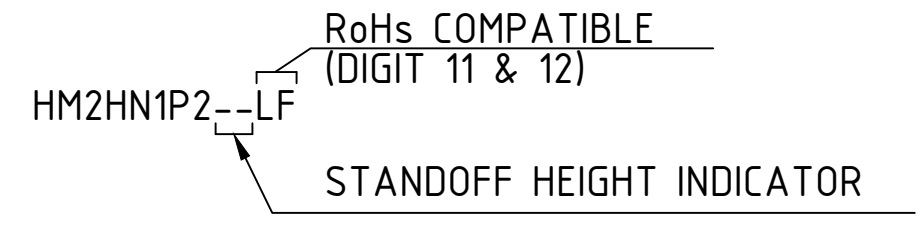
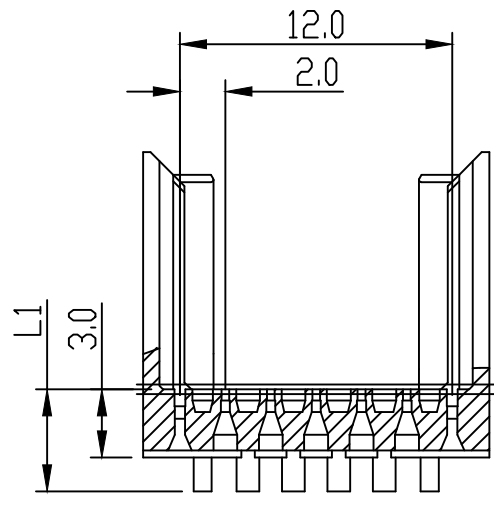
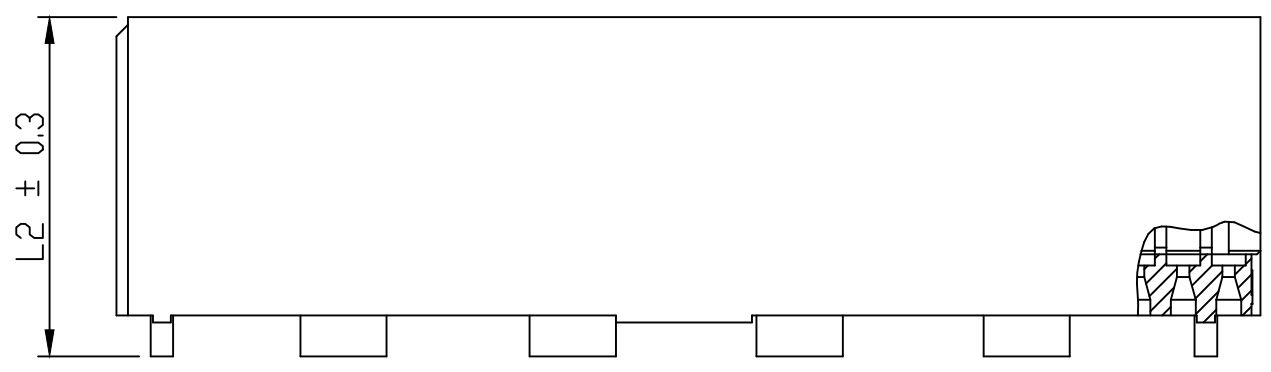
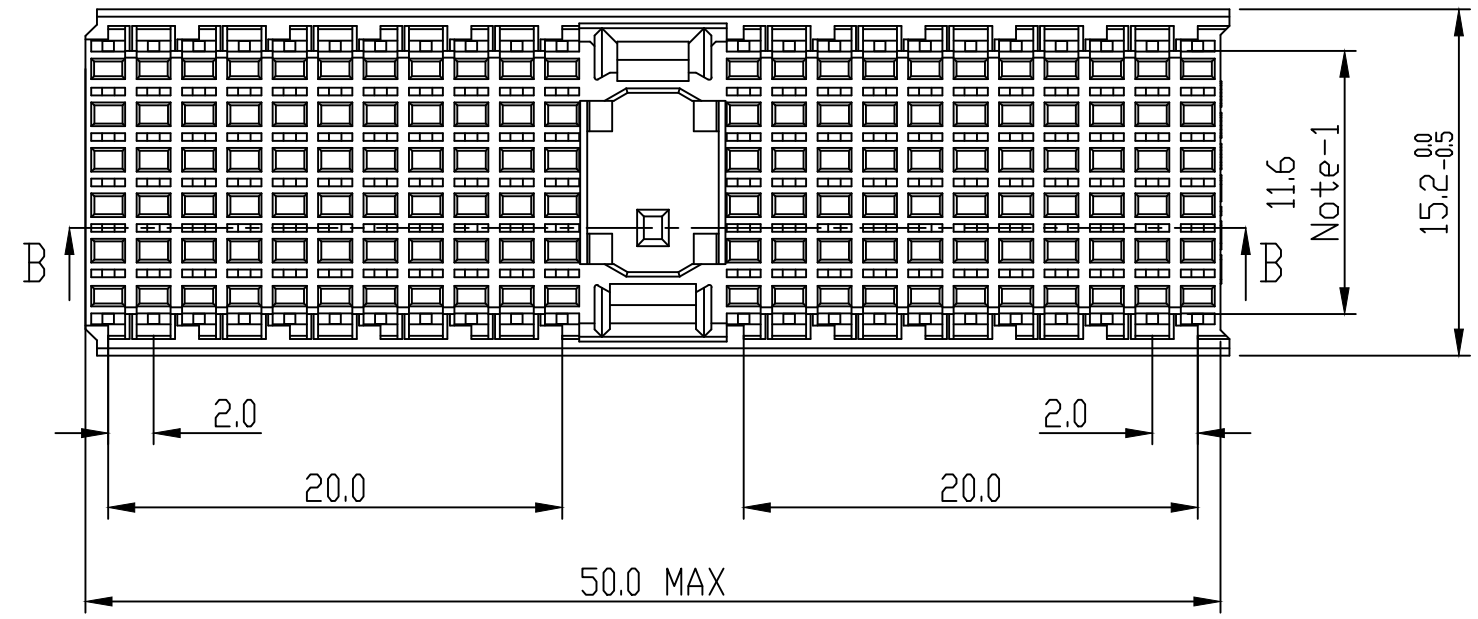
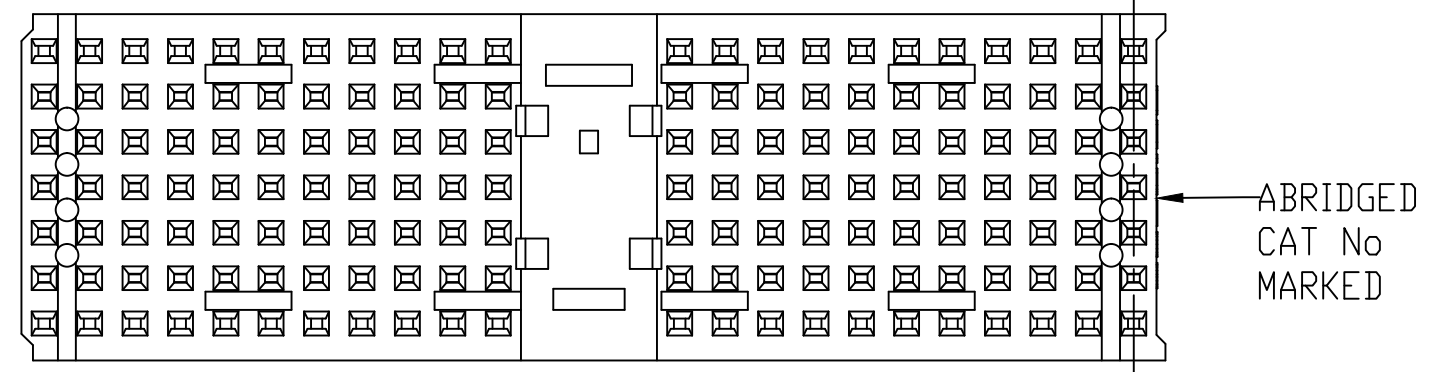


NOTES:

- 1. MEASURED AT THE BOTTOM
- 2. MATERIAL : GLASS REINFORCED POLYESTER UL94-V0
- 3. THIS PRODUCT MEETS EUROPEAN UNION DIRECTIVES AND OTHER COUNTRY REGULATIONS AS DESCRIBED IN GS-47-0004
- 4. PARTS WITH AND WITHOUT SUFFIX LF TO THE PRODUCT PART NUMBER ARE IDENTICAL IN FORM , FIT AND FUNCTION LF SUFFIX IS ADDED TO THE PART NUMBER OF THIS PRODUCT TO HAVE UNIFORM IDENTIFICATION OF ALL RoHS COMPATIBLE PRODUCTS



CAT. NO.	L1	L2	
HM2HN1P2LF	3.0	13.45	AVAILABLE
HM2HN1P209LF	3.9	14.35	AVAILABLE
HM2HN1P211LF	4.1	14.55	NOT AVAILABLE
HM2HN1P213LF	4.3	14.75	NOT AVAILABLE
HM2HN1P215LF	4.5	14.95	AVAILABLE
HM2HN1P217LF	4.7	15.15	AVAILABLE
HM2HN1P219LF	4.9	15.35	AVAILABLE
HM2HN1P222LF	5.2	15.65	AVAILABLE
HM2HN1P230LF	6.0	16.45	AVAILABLE



mat'l. code		surface	tolerance	projection	product family
		ISO 1302	ISO 406 ISO 1101		MILLIPACS
ltr	ecn no	dr	date	title	
A	105-0139	MINI	2005-08-10	MPACS 5+2 ROW SHROUD STR HDR (TYPE-A) (15.4 MAX)	
B	106-0099	MINI	2006-07-07	angles	linear
C	107-0107	MINI	2007-08-31	0°±1°	linear
D	ELX-I-18259	AKA	2014-07-09	dr	MINI K V
		enr	ALEX BABU	2005-03-08	2005-03-08
		chr	ALEX BABU	2007-08-31	2007-08-31
		appd	BIJU K PAUL	2007-08-31	2007-08-31
sheet index	revision sheet	D	1	type Product Customer Drawing	

FCI
FCIconnect.com

Copyright FCI