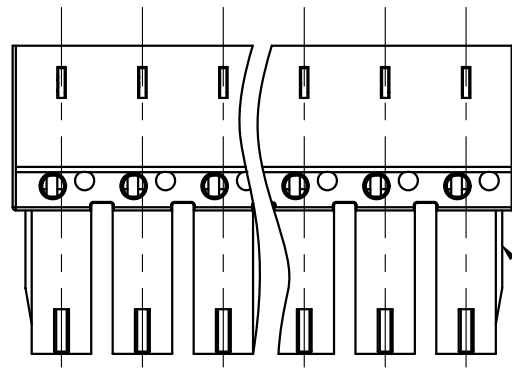
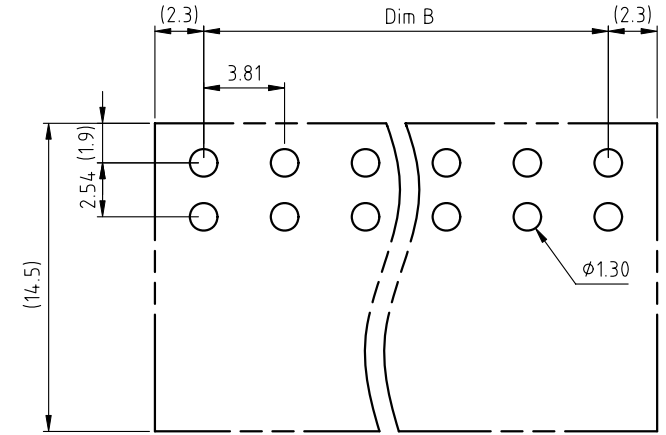
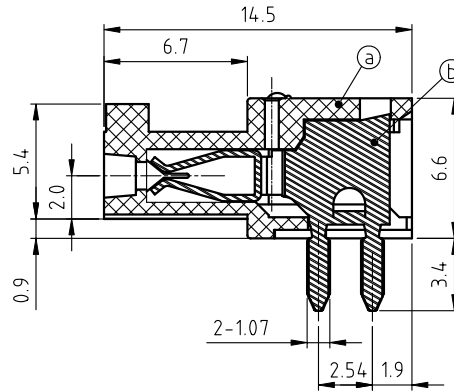
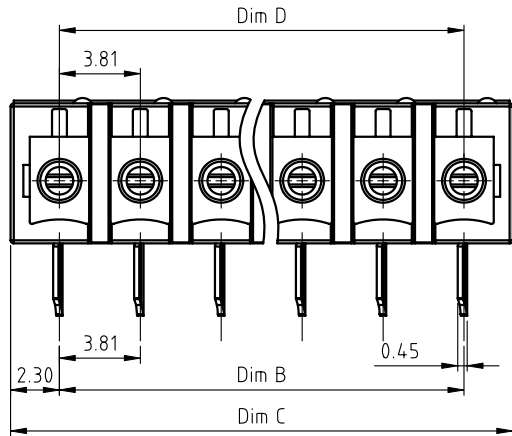


PRODUCT NUMBER	PITCH
V7xx31x100J0G	3.81 mm



2P to 6P with wedge,
above 7P without wedge



RECOMMENDED P.C.B. LAYOUT
TOP VIEW

- Material:
- Item (a) Terminal body: Thermoplastic (UL94V-0)
 - Item (b) Female contact: PhBz(CuSn), Tin plated

- Electrical cULus
- Voltage rating: 300V AC
 - Current rating: 8A
 - Withstanding Voltage: 1.6kv
 - Operating temperature: -40°C to +115°C
 - Soldering temperature: 260°C±5°C/5 Sec
 - Safety Approval:

DIMENSION

Dim B	(N-1)×3.81
Dim C	(N-1)×3.81+4.6
Dim D	(N-1)×3.81

N=Number of poles

Poles	Tolerance
2p-5p	±0.10
6p-10p	±0.15
11p-15p	±0.20
16p-20p	±0.25
21p-24p	±0.30

PART NO.: V7 xx 3 1 x 1 00J0 G

Solid block	0	Color	0	Black (RAL9005)	RoHS compliant (lead<4%) In copper Alloy
No. of poles	2		2	Red (RAL3001/D)	
02	2poles		3	Orange(RAL2011/P)	
03	3poles		4	Yellow(RAL1018/A)	
...	...		5	Green(RAL6018/T)	
24	24poles		6	Blue (RAL5015/A)	
			8	Grey(RAL7035/D)	
			9	White(RAL1102)	
			C	Green(RAL6018/U)	

mat'l. code		surface ASME Y14.5	tolerance ASME Y14.5	projection	product family
ltr	ecn no	dr	date		TERMINAL BLOCK
tolerances unless otherwise specified				MM	title
angles	0	X.±0.5		scale	TERMINAL BLOCK
0	1	X.X±0.3			PLUGGABLE PCB PLUG,RIGHT ANGLE
0	1	X.XX±0.1		FCI	dwg no
dr	EVIN ZHONG	043014			sheet 1 of 1
enrg	EVIN ZHONG	043014			size
chr	HANKE FENG	043014			V7xx31x100J0G
appd	SHI JUN	043014			A4
sheet index	revision	A			type
	sheet	1			CUSTOMER Drawing