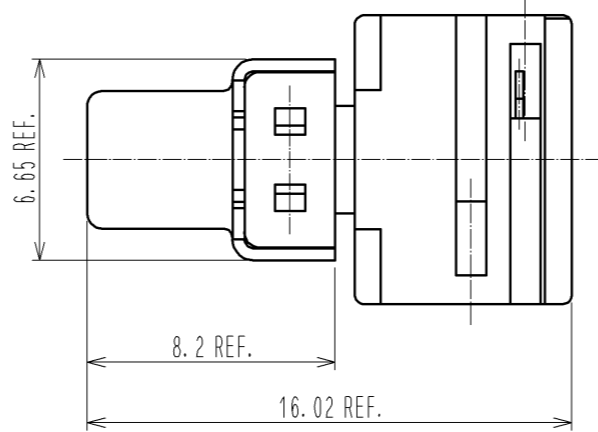
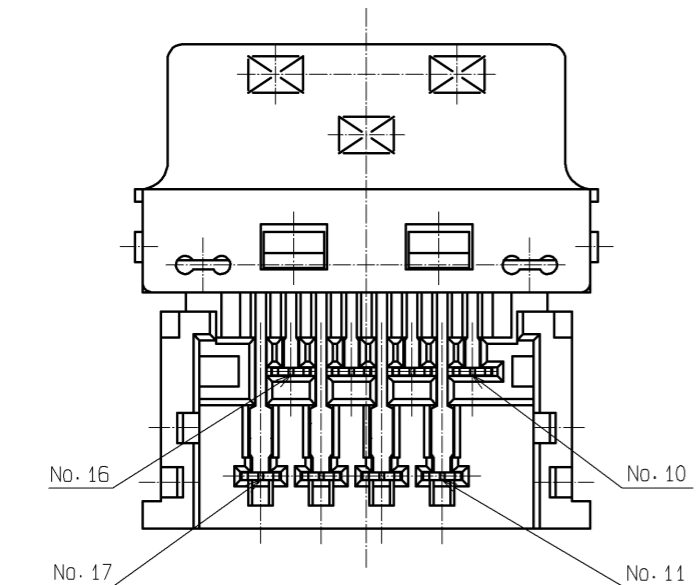
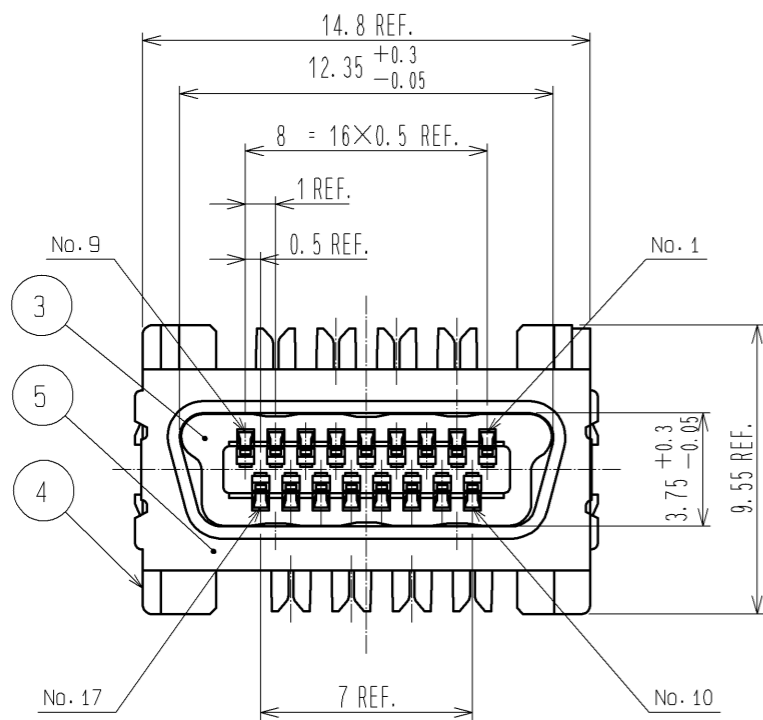
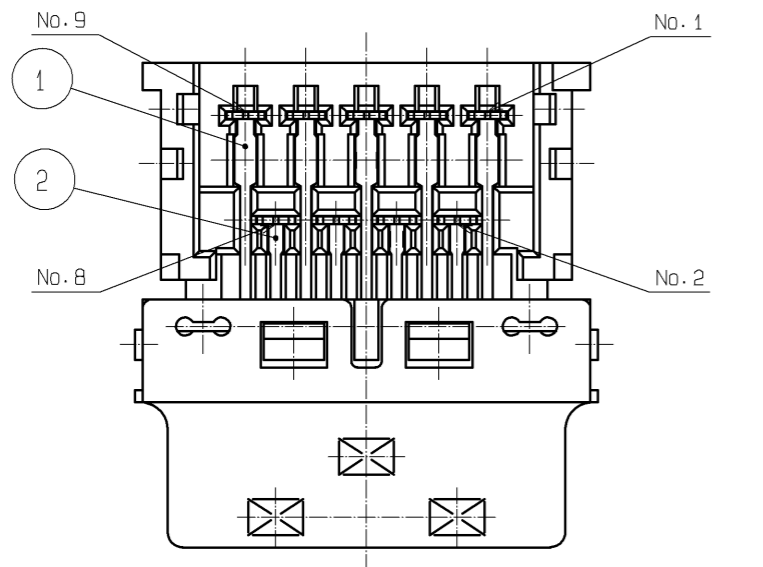
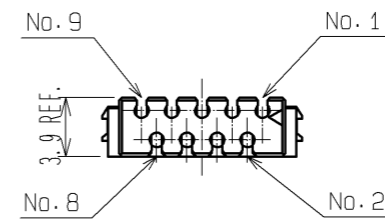


Oct.1.2018 Copyright 2018 HIROSE ELECTRIC CO., LTD. All Rights Reserved.
 In case that the application demands a high level of reliability, such as automotive,
 please contact a company representative for further information.

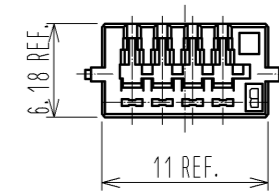
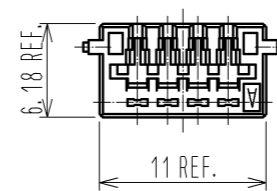
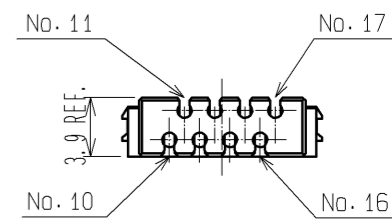


ATTACHED PARTS(2:1)

6 REAR INSERT A



7 REAR INSERT B



NOTE 1 COMPONENTS OF REF. NO. ⑥ AND ⑦ ARE ATTACHED PARTS.

② CONTACT AREA : GOLD 0.2μm MIN
 INSULATION DISPLACEMENT AREA : GOLD 0.03μm MIN
 UNDER PLATING : NICKEL 1μm MIN

3 THIS PRODUCT SHALL BE MATED WITH A 'DH60*-17P*'.
 4 THIS PRODUCT SHALL BE USED ASSEMBLED TO A COVER CASE 'DH-17-C*+B' AND A CLAMP 'DH-17-CMB(6.3)'.

NO.	MATERIAL	FINISH . REMARKS	NO.	MATERIAL	FINISH . REMARKS
3	POLYAMIDE	UL94V-0 (BLACK)	7	PBT	UL94V-0 (BLACK)
2	COPPER ALLOY	②	6	PBT	UL94V-0 (NATURAL)
1	COPPER ALLOY	②	5	STAINLESS STEEL	PLATING : NICKEL 1μm MIN
			4	POLYAMIDE	UL94V-0 (BLACK)

UNITS	SCALE	COUNT	DESCRIPTION OF REVISIONS	DESIGNED	CHECKED	DATE
mm	4 : 1	△				
APPROVED : A0. SUZUKI			09. 04. 13	DRAWING NO. EDC3-126594-00		
CHECKED : MO. SHIMOYAMA			09. 04. 10	PART NO. DH30B-17S		
DESIGNED : TS. ITO			09. 04. 10	CODE NO. CL244-0017-4-00		
DRAWN : TS. ITO			09. 04. 10	△ 1/1		