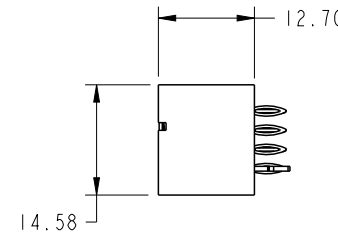
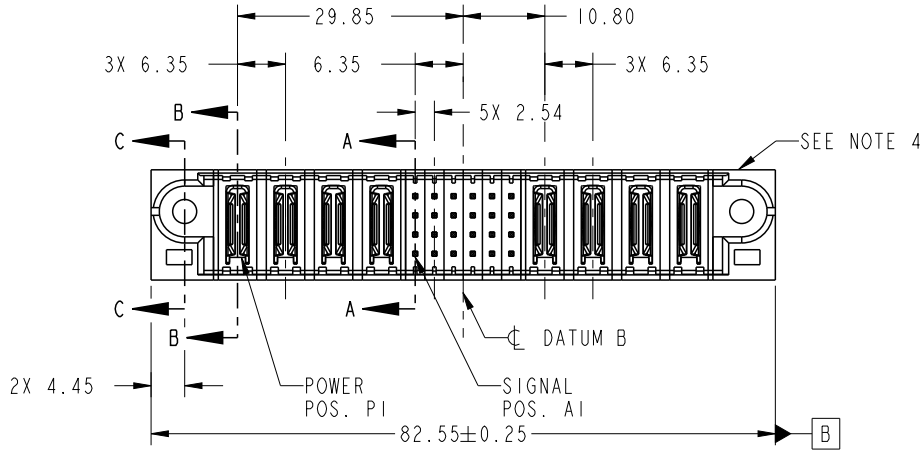


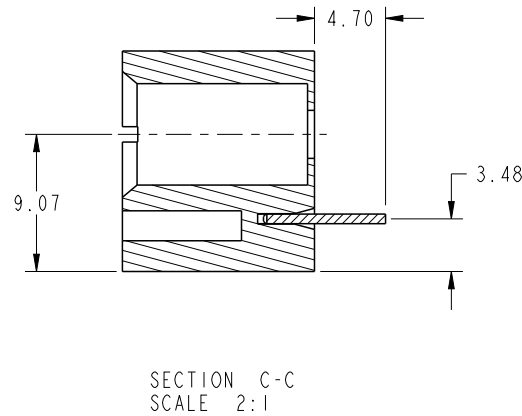
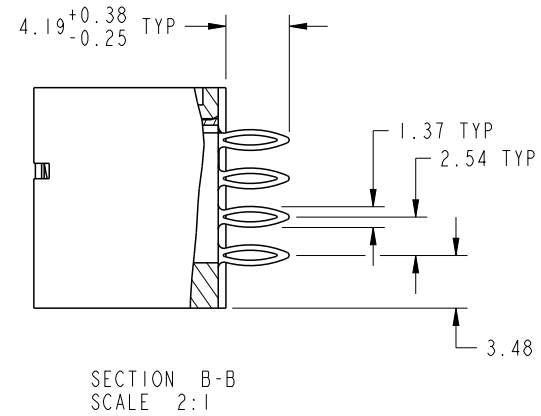
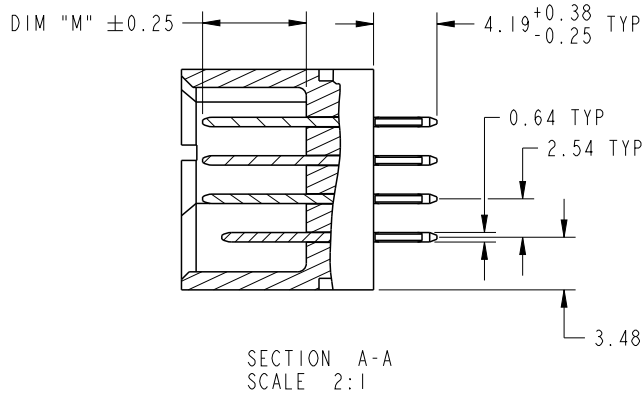
PRODUCT NO.	ROWS	POWER				SIGNAL						POWER				E2	
		E1	P1	P2	P3	P4	1	2	3	4	5	6	P5	P6	P7		P8
51710-050-- NOTE ③	D C B A		PC	PC	PC	PC	G	G	G	G	G	G	PC	PC	PC	PC	



CODE	DIM "M" MATING LENGTH	CONTACT TYPE
PC	[N/A]	POWER
G	[6.86]	SIGNAL
HA	[N/A]	HOLD-DOWN
K	[5.59]	SIGNAL

spec ref		SEE NOTES		dr	Guang, Shi	2012/02/16	projection 	MM 	size	A4	scale	1:1		
tolerance std		TOLERANCES UNLESS OTHERWISE SPECIFIED		eng	Luo Weller	2012/07/17			ecn no	-	rel level			Released
SEE NOTES				chr	-	-					product family			PwrBlade
surface	✓	linear	0.X	±0.50	FCI	www.fci.com	title	4P + 24S + 4P	dwg no	51710-050	rev	A		
			0.XX	±0.25								cat. no.	Product - Customer Drw	sheet 1 of 4
			0.XXX	±0.10										
angular	0°	±2°												

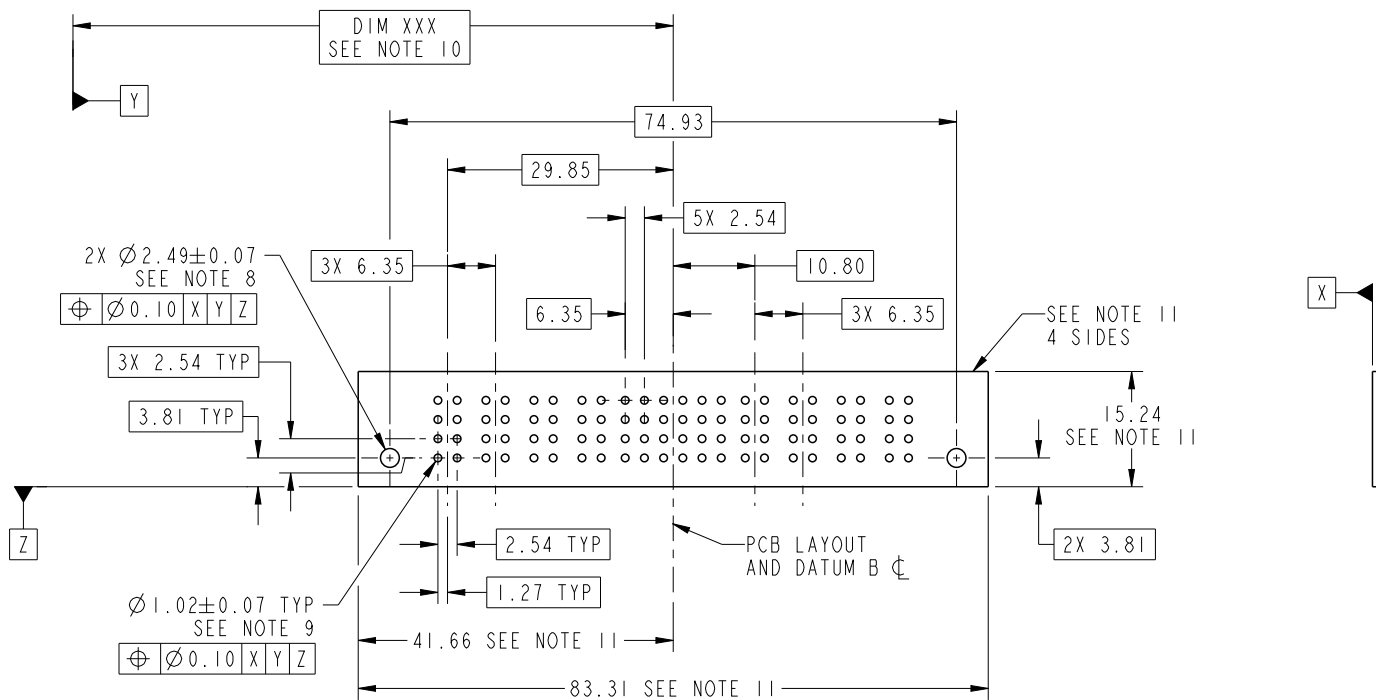
PRODUCT NUMBER  
51710-050--  
NOTE 3



dr	Guang, Shi	2012/02/16	projection 	MM 	size	A4	scale	1:1
eng	Luo Weller	2012/07/17			ecn no	-		
chr	-	-			rel level	Released		
appr	Pei-Ming Zheng	2012/08/13	product family	PwrBlade	rev	A		
	title	4P + 24S + 4P VERTICAL STB HEADER		dwg no	51710-050			
www.fci.com	cat. no.	Product - Customer Drw			sheet 2 of 4			

PRODUCT NUMBER

51710-050\_\_  
NOTE 3



RECOMMENDED PCB LAYOUT

dr	Guang, Shi	2012/02/16	projection 	MM 	size	A4	scale	1:1
eng	Luo Weller	2012/07/17			ecn no	-		
chr	-	-			rel level	Released		
appr	Pei-Ming Zheng	2012/08/13	product family	PwrBlade	rev	A		
	title	4P + 24S + 4P VERTICAL STB HEADER		dwg no	51710-050	sheet 3 of 4		
www.fci.com	cat. no.	Product - Customer Drw			sheet 3 of 4			

PRODUCT NUMBER

51710-050\_\_  
NOTE 3

NOTES:

1. DIMENSIONS AND TOLERANCES ARE IN ACCORDANCE WITH ASME Y14.5M, 1994 UNLESS OTHERWISE SPECIFIED.

CONNECTOR NOTES:

- ② HOUSING MATERIAL: UL 94 V-0 GLASS FILLED HIGH-TEMP THERMOPLASTIC  
POWER CONTACT MATERIAL: COPPER ALLOY  
SIGNAL PIN MATERIAL: COPPER ALLOY
- 3. SEE ITEM 1 & 2 IN PRINT 10064183 FOR PLATING SPEC OF 51710-050 AND 51710-050LF RESPECTIVELY.

④ MANUFACTURER'S NAME, DATE CODE AND OPTIONAL P/N TO APPEAR ON THIS SURFACE. THE P/N CAN BE OMITTED IF THERE IS NOT ENOUGH SPACE ON THIS SURFACE.

5. PRODUCT SPECIFICATION GS-12-149.  
APPLICATION SPECIFICATION BUS-20-067.

6. PACKAGED IN TRAYS.

PCB NOTES:

- 7. ALL HOLE DIAMETERS ARE FINISHED HOLE SIZE.
- 8. MOUNTING HOLES, WHERE APPLICABLE, ARE UNPLATED.

⑨  $\varnothing 1.151 \pm 0.025$  DRILLED HOLES PLATED WITH 0.008 MIN SnPb OR Sn OVER .001 [0.03] TO 0.08 Cu PLATING TO ACHIEVE  $\varnothing 1.02 \pm 0.07$  HOLE.

⑩ "DIM XXX" TO BE DETERMINED BY THE CUSTOMER.

⑪ CONNECTOR KEEP-OUT ZONE.

12. FOR PRESS FIT APPLICATION USE FCI CAM TOOL 430169-XXX.

dr	Guang, Shi	2012/02/16	projection 	MM 	size	A4	scale	1:1			
eng	Luo Weller	2012/07/17			ecn no	-					
chr	-	-			product family	PwrBlade	rel level	Released			
appr	Pei-Ming Zheng	2012/08/13	FCj		title	4P + 24S + 4P		dwg no	51710-050	rev	A
www.fci.com		cat. no.	Product - Customer Drw			sheet 4 of 4					



Copyright FCI.