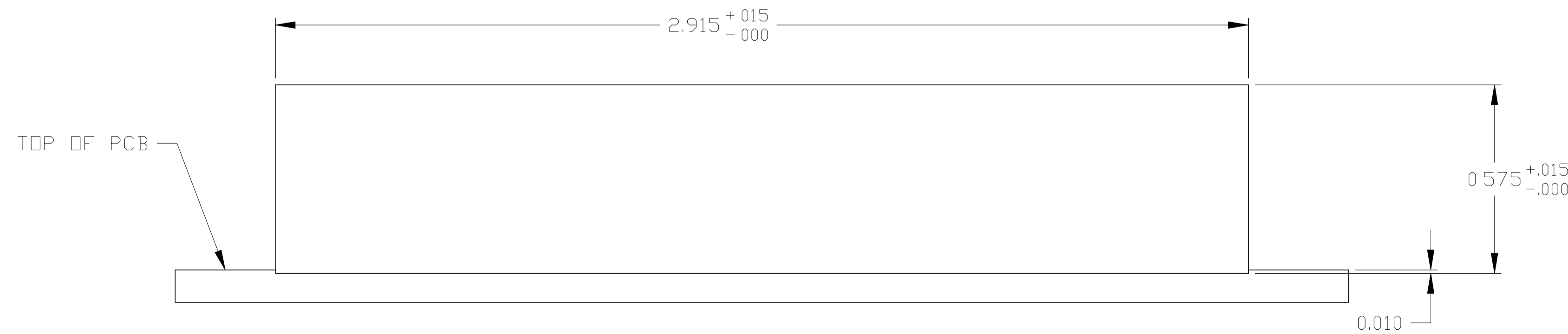
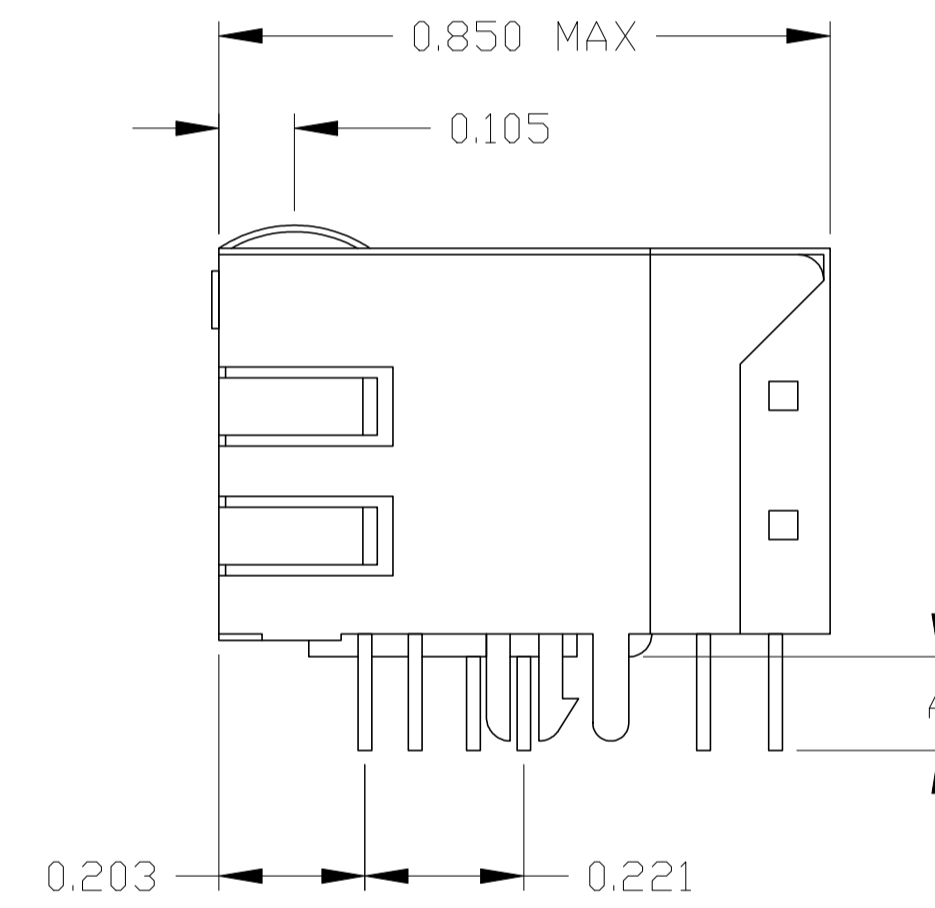
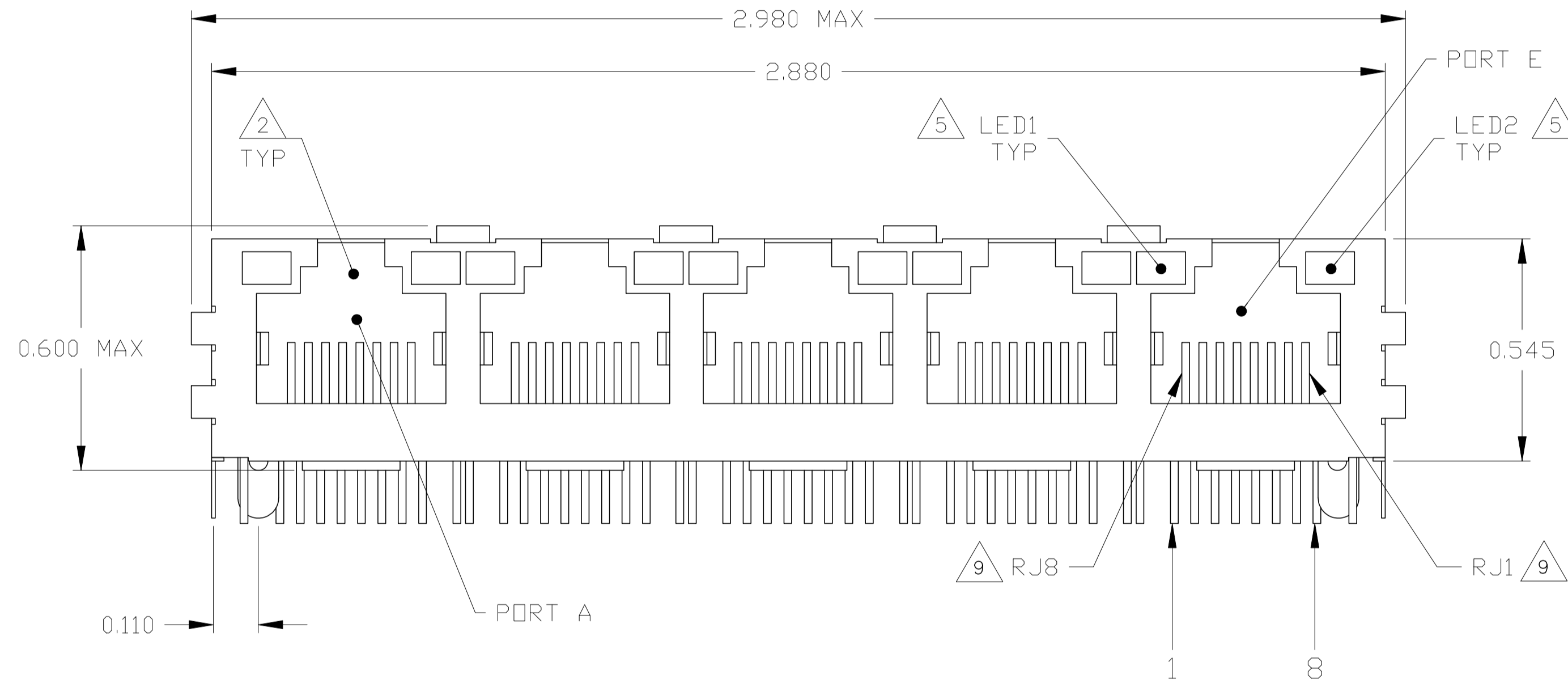
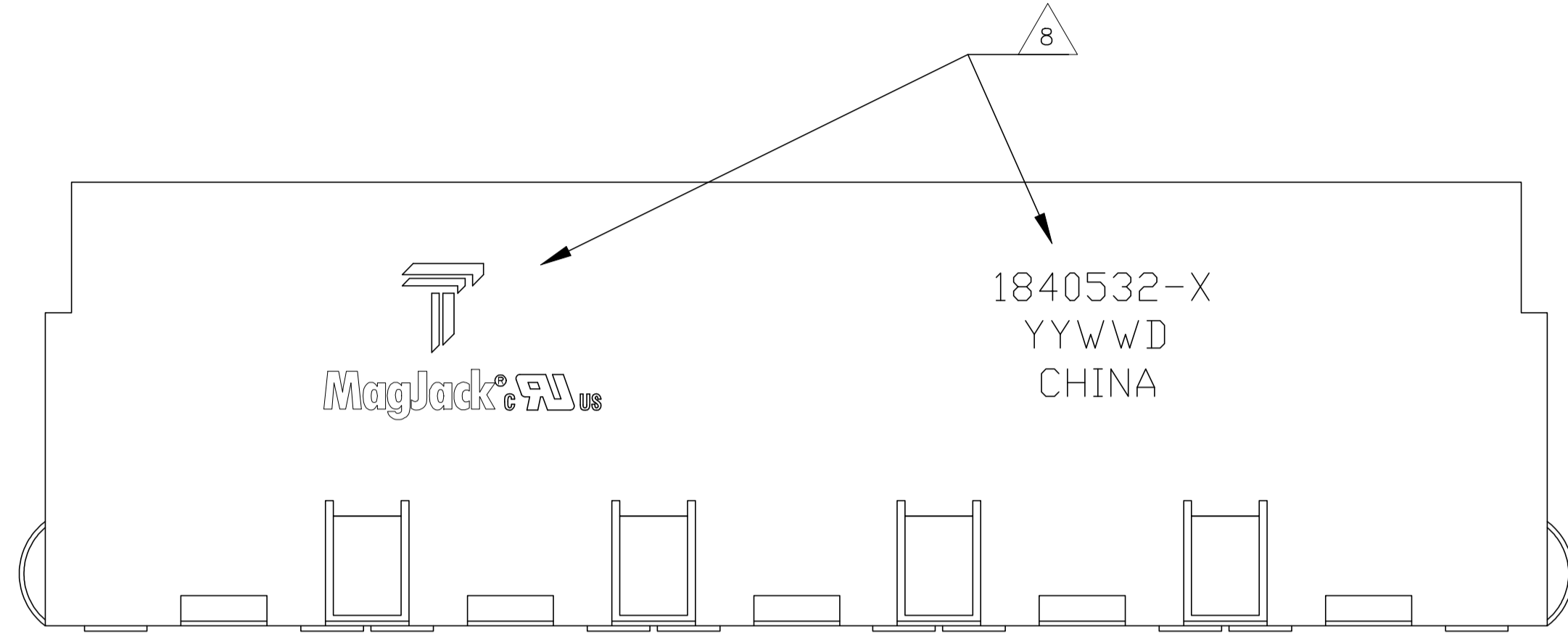


THIS DRAWING AND THE SUBJECT MATTER SHOWN THEREON ARE CONFIDENTIAL AND THE PROPERTY OF BEL/STEWART/TRP CONNECTOR AND SHALL NOT BE REPRODUCED, COPIED, OR USED IN ANY MANNER WITHOUT THE WRITTEN CONSENT OF TRP CONNECTOR.

PRODUCT MAY BE PROTECTED BY ONE OR MORE OF THE FOLLOWING US PATENTS:
 5736910 5939955 6425781 6428361 6554638 6840817 7123117
 7429195 7717749 7808751 6217391 6149050 7924130

REVISIONS					
P	LTR	DESCRIPTION	DATE	DN	APVD
F		EC-1411035 COMPANY LOGO CHANGE	26DEC2014	RT	TL

MECHANICAL:



1X5 SUGGESTED PANEL CUTOUT

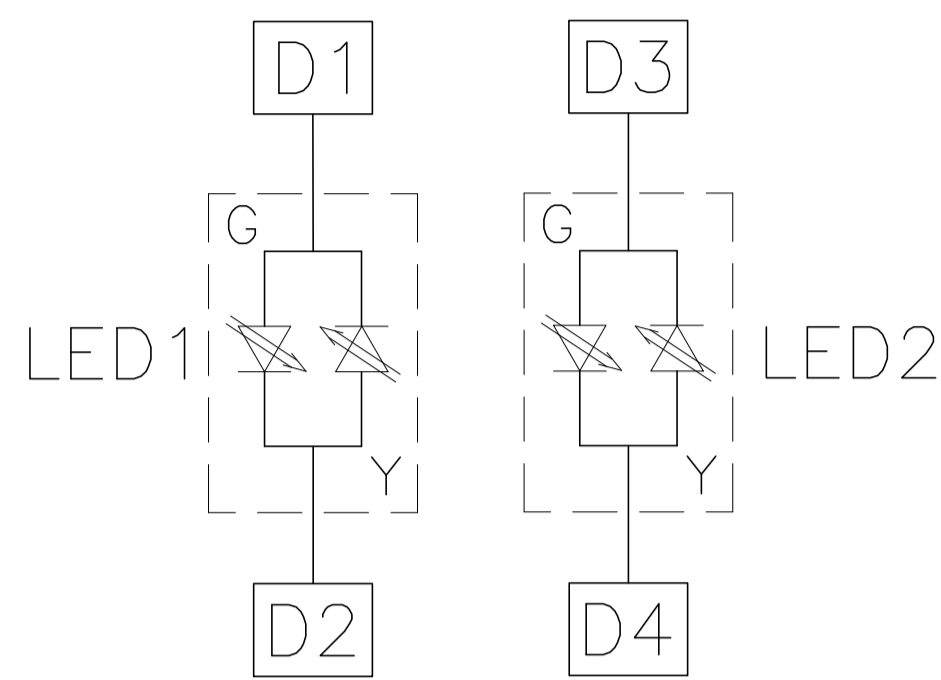
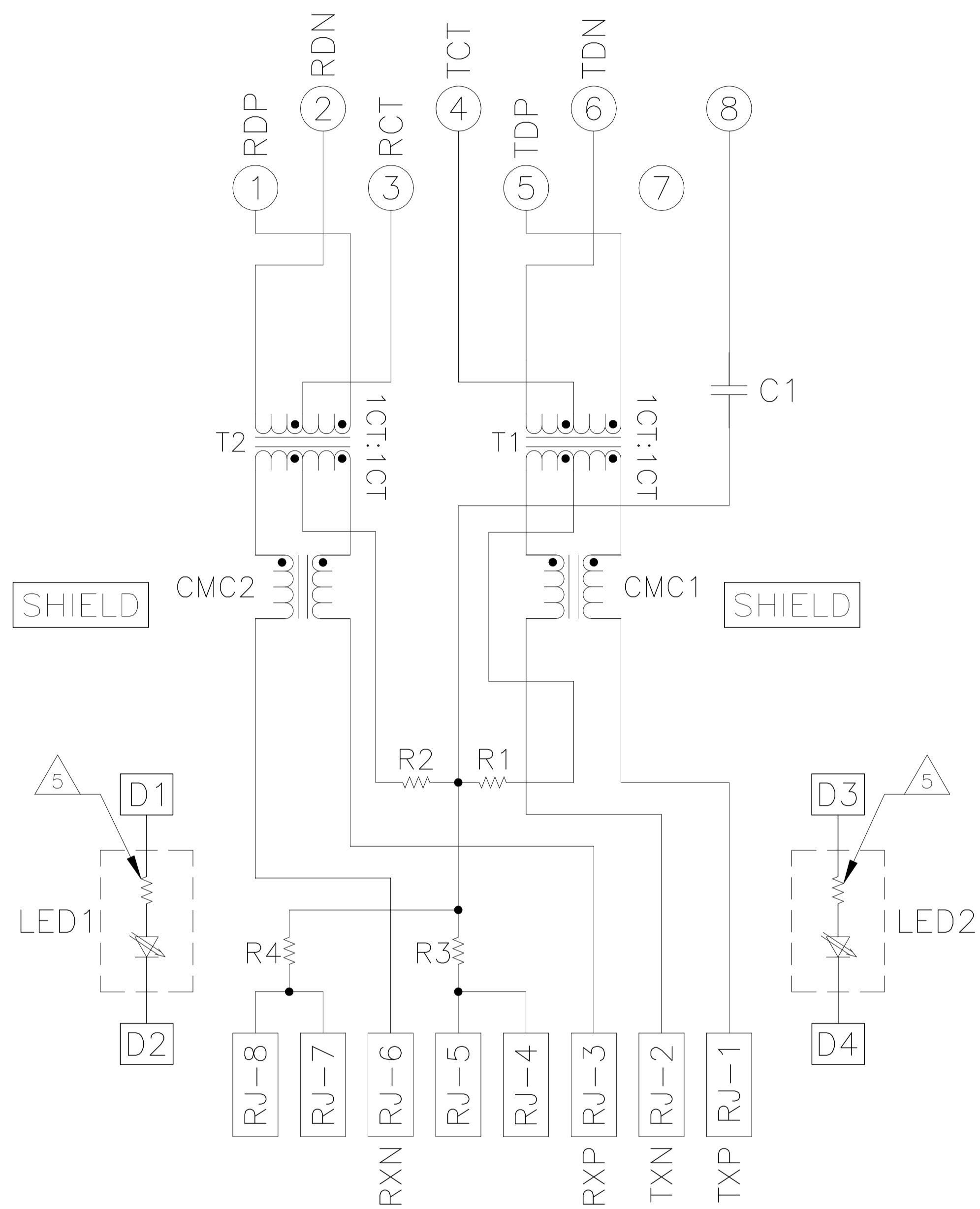
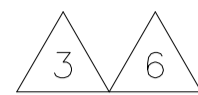
- 1 MATERIALS:
 -HOUSING - THERMOPLASTIC PET POLYESTER FLAMMABILITY RATING UL 94V-0.
 -SHIELD - 0.010" THICK, C26800 BRASS PREPLATED WITH 30μINCH MIN SEMI-BRIGHT NICKEL. SOLDER TABS POST DIPPED WITH 100μINCH MIN SAC SOLDER.
 -MOD JACK CONTACTS - 0.0157" X 0.018" PHOSPHOR BRONZE, 50μINCH MIN OVERALL NICKEL UNDERPLATE WITH SELECT 50μINCH MIN HARD GOLD FINISH PLATE. SOLDER TAILS WITH 100μINCH MIN MATTE TIN AND/OR SAC SOLDER DIP.
 -LIGHT EMITTING DIODE(LED) - DIFFUSED EPOXY LENS, 0.020" X 0.020" CARBON STEEL WIREFRAME LEADS PRE-PLATED WITH 80μINCH SILVER OVER 40μINCH NICKEL UNDERPLATE OVER 40μINCH COPPER UNDERPLATE. POST-PLATED WITH 100μINCH MIN MATTE TIN AND/OR SAC SOLDER DIP OR PURE TIN SOLDER DIP.
- 2 RJ45 JACK CAVITY CONFORMS TO FCC RULES AND REGULATIONS PART 68, SUB PART F.
- 3 MAGNETICS
 -APPLICATION: 10/100 BASE-T
 -IMPEDANCE: 100 OHMS
 -TURNS RATIO (CHIP: CABLE): TX = 1:1, RX = 1:1
 -OPEN CIRCUIT INDUCTANCE (OCL): 350μH MIN @100kHz, 0.1VRMS, 8mADC BIAS FROM 0°C TO 70°C, TX AND RX
 -PERFORMANCE @ 25°C:
 INSERTION LOSS (IL): 1.1dB MAX FROM 0.5MHZ TO 100MHZ
 RETURN LOSS (RL): 18dB MIN FROM 0.5MHZ TO 30MHZ
 18-20LOG(f/30)dB MIN FROM 30.1MHZ TO 60MHZ
 12dB MIN FROM 60.1MHZ TO 80MHZ
 CROSSTALK ATTENUATION: 35dB MIN FROM 0.5MHZ TO 40MHZ
 33-20×LOG(f/50)dB MIN FROM 40.1MHZ TO 100MHZ
 COMMON MODE REJECTION RATIO (CMRR): 30dB MIN FROM 0.5MHZ TO 100MHZ
 -ISOLATION VOLTAGE: COMPLIES WITH IEEE802.3 2002, PARA 23.5.1.1, ITEM b.
4. OPERATING TEMPERATURE: FROM 0°C TO +70°C.
- 5 THE 250 OHM LED RESISTORS ARE OPTIONAL, PLEASE SEE CHART FOR PRESENCE OR ABSENCE OF LED RESISTORS. IF THE LED WITHOUT 250 OHM RESISTORS, LED IS DRIVEN WITH CONSTANT CURRENT AT APPROX 20mA.
 LED COLOR: DOMINANT WAVELENGTH (λD): GREEN 568 nm TYP. @ IF=20mA
 FORWARD VOLTAGE (VF): GREEN 2.2V TYP. @ IF=20mA
 DOMINANT WAVELENGTH (λD): YELLOW 588 nm TYP. @ IF=20mA
 FORWARD VOLTAGE (VF): YELLOW 2.1V TYP. @ IF=20mA.
 DOMINANT WAVELENGTH (λD): ORANGE 605 nm TYP. @ IF=20mA
 FORWARD VOLTAGE (VF): ORANGE 2.05V TYP. @ IF=20mA
 IF THE LED WITH 250 OHM RESISTORS,LED IS DRIVEN WITH 5V VOLTAGE AND THE MAX OPERATING CURRENT IS 20mA.
 LED COLOR : DOMINANT WAVELENGTH (λD): GREEN 568 nm TYP. @ VF=5V
 FORWARD CURRENT (IF): GREEN 12 mA TYP. @ VF=5V
 DOMINANT WAVELENGTH (λD): YELLOW 588 nm TYP. @ VF=5V
 FORWARD CURRENT (IF): YELLOW 13 mA TYP. @ VF=5V
- 6 INDICATED MAGNETIC CONNECTIONS ARE SYMMETRICAL AND SUPPORT AUTO-MDIX.
7. THESE PARTS ARE RECOMMENDED FOR WAVE SOLDERING PROCESS, PEAK WAVE SOLDERING TEMPERATURE IS 265°C MAX,10 SECONDS MAX.
- 8 TRP CONNECTOR LOGO, PART NUMBER, DATE CODE, COUNTRY OF ORIGIN AND AGENCY APPROVAL MARKING IN APPROXIMATE LOCATION SHOWN.
- 9 CONTACT LUBRICANT APPLIED IN MATING AREA.

OBSOLETE	0.145±0.010	GREEN	YES	GREEN	YES	6-1840532-4
	0.110±0.010	GREEN	YES	YELLOW	YES	2-1840532-1
OBSOLETE	0.145±0.010	YELLOW	NO	YELLOW	NO	1-1840532-0
OBSOLETE	0.145±0.010	YELLOW	NO	GREEN	NO	1840532-9
OBSOLETE	0.145±0.010	GREEN	NO	YELLOW	NO	1840532-8
OBSOLETE	0.145±0.010	GREEN	NO	GREEN	NO	1840532-7
OBSOLETE	0.145±0.010	GREEN/YELLOW	NO	GREEN/YELLOW	NO	1840532-6
OBSOLETE	0.145±0.010	GREEN/YELLOW	NO	GREEN	NO	1840532-5
OBSOLETE	0.145±0.010	GREEN/YELLOW	NO	GREEN	YES	1840532-4
OBSOLETE	0.145±0.010	YELLOW	YES	YELLOW	YES	1840532-3
OBSOLETE	0.145±0.010	YELLOW	YES	GREEN	YES	1840532-2
	0.145±0.010	GREEN	YES	YELLOW	YES	1840532-1

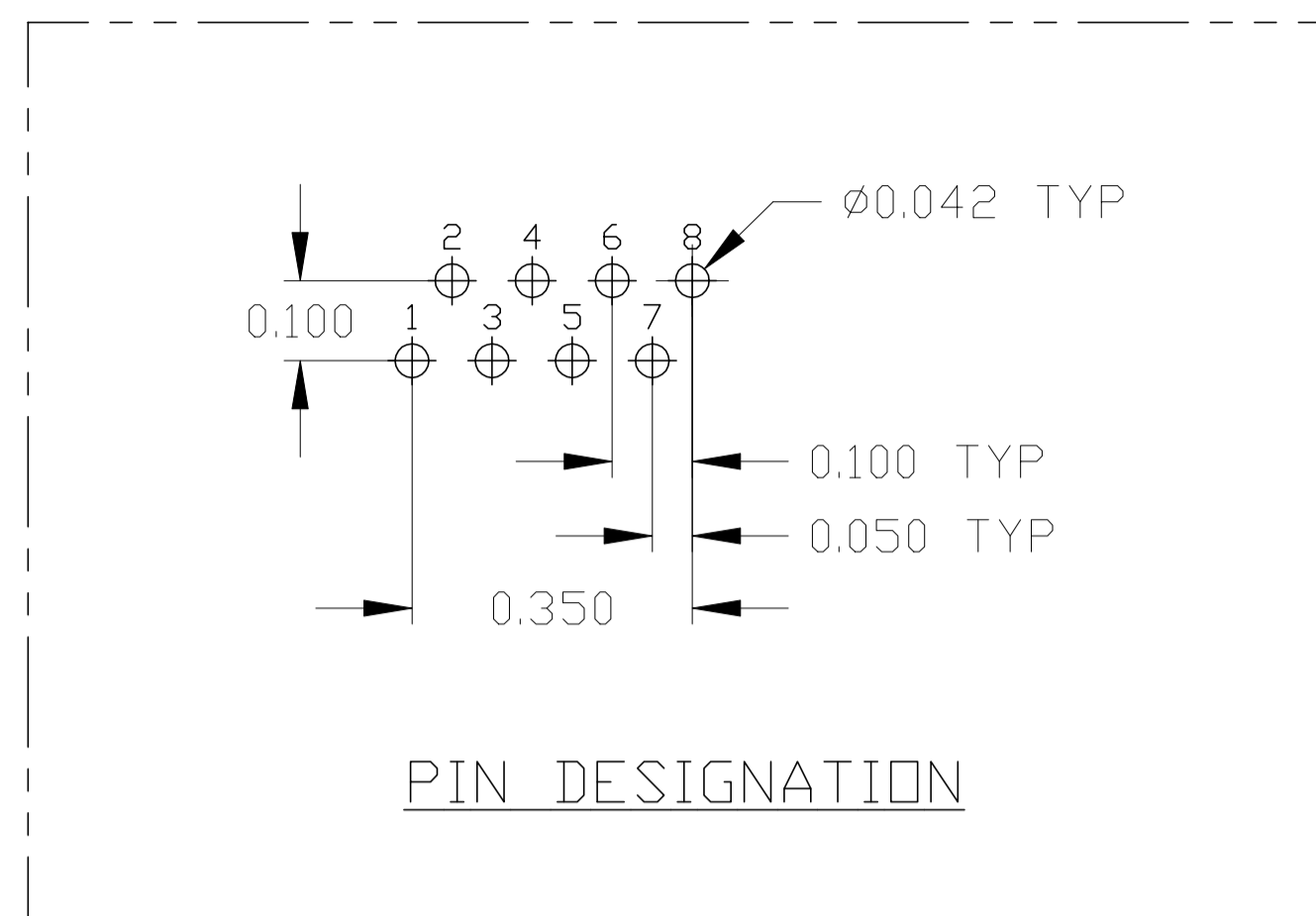
DIM "A"	LED1	250 OHMS RESISTOR	LED2	250 OHMS RESISTOR	PART NUMBER
THIS DRAWING IS A CONTROLLED DOCUMENT.					
DIMENSIONS: INCHES		TOLERANCES UNLESS OTHERWISE SPECIFIED:		DIN CLOUD ZENG SMAR2007	
0 PLC ± -		1 PLC ± -		CIR DENNIS CHEN SMAR2007	
1 PLC ± -		2 PLC ± .010		APVD TEDDY XIONG SMAR2007	
2 PLC ± .010		3 PLC ± .005		MODEL NAME	
3 PLC ± .005		4 PLC ± -		DESC	
4 PLC ± -		ANGLES ± -		MAGJACK	
APPLY SPEC		APPLICATION SPEC		GANG NON-POE	
PRODUCT SPEC 108-2100		APPLICATION SPEC -		SIZE CAGE CODE DRAWING NO	
				A1 C=1840532	
				RESTRICTED TO	
				CUSTOMER DRAWING	
				SCALE 4:1 SHEET 1 OF 2 REV F	



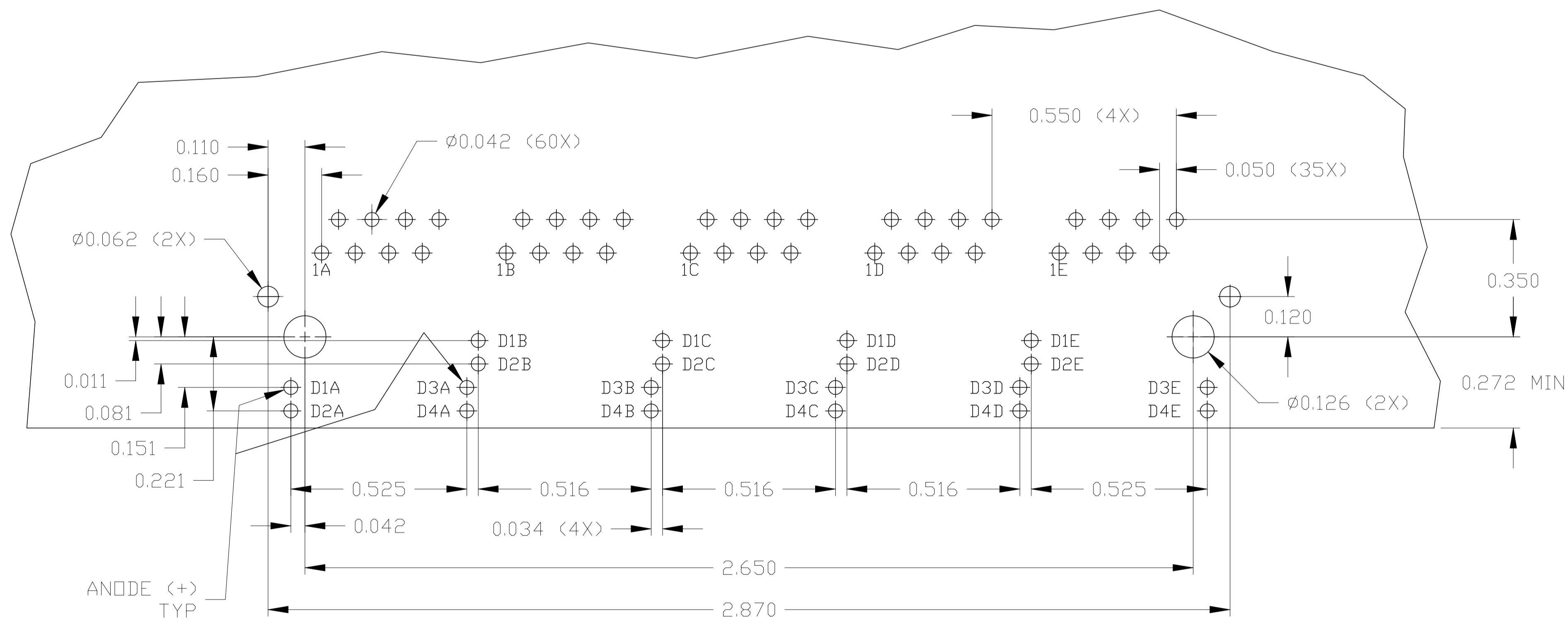
726 10/100 BASE-T CIRCUIT



LED CONFIGURATION FOR 1840532-6 ONLY



PIN DESIGNATION



SUGGESTED PCB LAYOUT
(Component Side)

R1-R4=75 OHMS, 1/16W, 5% RESISTORS.
C1=1000 pF, 2kV CAPACITOR.

THIS DRAWING IS A CONTROLLED DOCUMENT.		DWN: CLOUD ZENG SMAR2007			DONGGUAN CHINA
DIMENSIONS: INCHES		CHK: DENNIS CHEN SMAR2007			
TOLERANCES UNLESS OTHERWISE SPECIFIED:		APVD: TEDDY XIONG SMAR2007		DESC: 1X5 726 10/100 TAB UP W/ LED	
0. PLC ± - 1. PLC ± - 2. PLC ± .010 3. PLC ± .005 4. PLC ± - ANGLES ± -		MODEL NAME: MAGJACK		SIZE: A1	
PRODUCT SPEC: 108-2100		APPLICATION SPEC: -		CAGE CODE: -	
		CUSTOMER DRAWING		DRAWING NO: 1840532	
		SCALE: 4:1		SHEET 2 OF 2	
				REV F	