

NOTES:

1. MATERIAL AND FINISHES:

BODY - BRASS, NICKEL PLATING  
 CONTACT - PHOSPHOR BRONZE, GOLD PLATING  
 INSULATOR - PTFE, NATURAL

2. ELECTRICAL:

A. IMPEDANCE: 75 OHM, NOMINAL  
 B. FREQUENCY RANGE: 0-1 GHz

3. MECHANICAL:

A. TEMPERATURE RANGE: -65°C TO +165°C

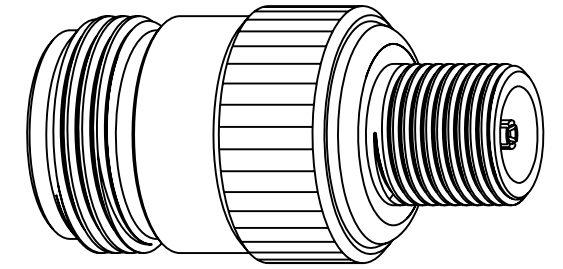
4. PACKAGING:

A. QUANTITY: SINGLE PACK  
 B. BAG TO BE MARKED: AMPHENOL RF  
 APH-NJ-FJ  
 NF-FFI-NT3G-75  
 DATE CODE

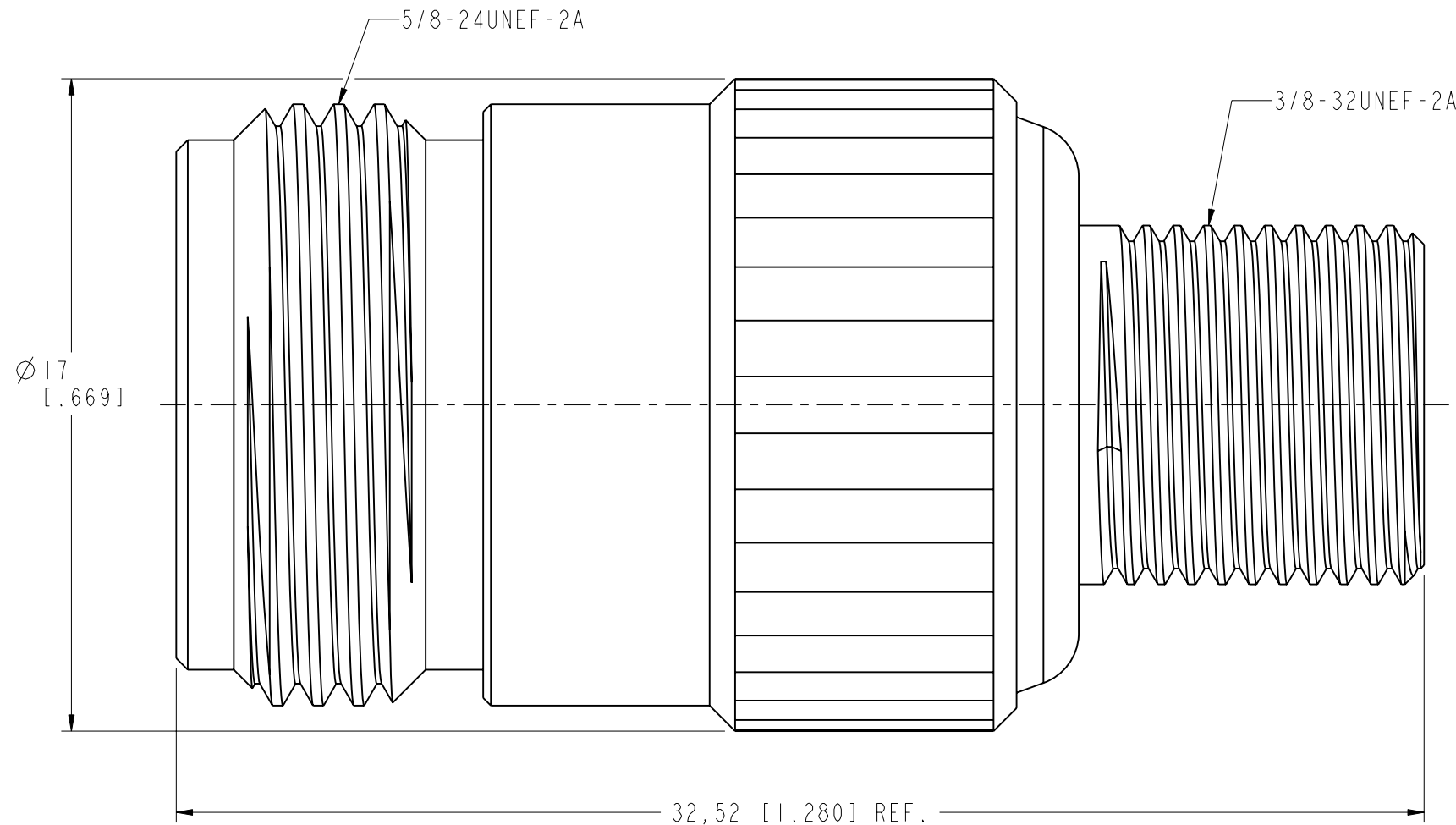
THIRD ANGLE PROJ.

REVISIONS

REV	DESCRIPTION	DATE	ECO	APPR
A1	RELEASE TO MFG.	16-Jan-04	----	SX
B	SYNCH THE DRAWING	28-Oct-14	2790	SH



SCALE 2.000



**CUSTOMER OUTLINE DRAWING**  
 ALL OTHER SHEETS ARE FOR INTERNAL USE ONLY

UNLESS OTHERWISE SPECIFIED, DIMENSIONS ARE IN METRIC AND TOLERANCES ARE:  
 <0.5mm ±0.05mm    0.5 - 6mm ±0.1mm    6 - 30mm ±0.2mm    30 - 120mm ±0.3mm    ANGLES ±1°

NOTICE - These drawings, specifications, or other data (1) are, and remain the property of Amphenol corp. (2) must be returned upon request; and (3) are confidential and not to be disclosed to any person other than those to whom they are given by Amphenol Corp. the furnishing of these drawings, specifications, or other data by Amphenol Corp., or to any other person to anyone for any purpose is not to be regarded by implication or otherwise in any manner licensing, granting rights to permitting such holder or any other person to manufacture, use or sell any product, process or design, patented or otherwise, that may in any way be related to or disclosed by said drawings, specifications, or other data.

MATERIAL	
REFERENCE	AND CONNEX P/N: 242120-75
CONFIGURATION LEVEL:	<input type="checkbox"/> <input type="checkbox"/> <input type="checkbox"/>
FINISH	

DRAWN	M. ZHANG	DATE	18-Aug-14
ENGINEER	TOM	DATE	16-Jan-04
APPROVED	S. HSIEH	DATE	18-Aug-14
CAD FILE			

TITLE	
N FEMALE TO F FEMALE ADAPTER - 75 OHMS	
SCALE: 6.0:1.0	SHEET 2 OF 3
DWG SIZE B	REV B

Amphenol RF	
www.amphenolrf.com	
DRAWING NO. NF-FFI-NT3G-75	
ITEM NO. 03F-04FI-NA-7-F	
PART NO. APH-NJ-FJ	