

60mm sq.

San Ace 60



General Specifications

- Material Frame: Plastics (Flammability: UL94V-0),
Impeller: Plastics (Flammability: UL94V-1)
- Expected Life Refer to specifications (L10:Survival rate:90% at 60°C ,
rated voltage, and continuously run in a free air state)
- Lead Wire ⊕red ⊖black or blue (Sensor) yellow
- Storage Temperature -30°C to +70°C (Non-condensing)

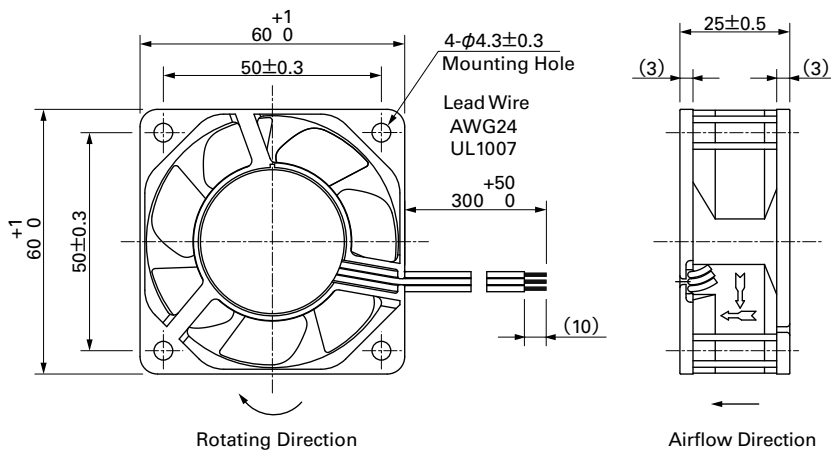
60×60×25mm (Mass : 90g) 9R type

Specifications The following nos. **have pulse sensors and ribs.** For ribless, append "1" to the model no.

Model No.	Rated Voltage [V]	Operating Voltage Range [V]	Rated Current [A]	Rated Input [W]	Rated Speed [min ⁻¹]	Max. Airflow [m ³ /min] [CFM]	Max. Static Pressure [Pa] [inchH ₂ O]	SPL [dB(A)]	Operating Temperature [°C]	Expected Life [h]		
109R0605H401	5	4.5 to 5.5	0.34	1.70	3,800	0.53 18.7	40.2 0.161	28	-20 to +70	60,000/60°C		
109R0605F401			0.20	1.00	3,200	0.44 15.5	29.4 0.118	24	-20 to +60			
109R0605M401			0.13	0.65	2,600	0.36 12.7	19.6 0.079	20	-20 to +70			
109R0612J401	12	10.8 to 13.2	0.47	5.64	7,600	1.06 37.1	155.0 0.622	44	-20 to +60	40,000/60°C		
109R0612G401		10.2 to 13.8	0.24	2.88	5,600	0.78 27.5	87.3 0.351	39	-20 to +70			
109R0612D401		6 to 13.8	0.17	2.04	4,600	0.65 23.0	56.8 0.228	33				
109R0612S401		0.11	1.32	3,800	0.53 18.7	40.1 0.161	28					
109R0612H401		7 to 13.8	0.09	1.08	3,200	0.44 15.5	29.4 0.118	24	-20 to +70			
109R0612F401		0.06	0.72	2,600	0.36 12.7	19.6 0.079	20					
109R0612M401		21.6 to 26.4	0.24	5.76	7,600	1.06 37.1	155.0 0.622	44			-20 to +60	
109R0624J401		24	20.4 to 27.6	0.13	3.12	5,600	0.78 27.5	87.3 0.351	39		-20 to +70	40,000/60°C
109R0624G401			12 to 27.6	0.12	2.88	5,150	0.72 25.4	73.5 0.295	37			
109R0624D401	0.08		1.92	4,600	0.65 23.0	56.8 0.228	33					
109R0624S401	0.06		1.44	3,800	0.53 18.7	40.2 0.161	28					
109R0624H401	0.05		1.20	3,200	0.44 15.5	29.4 0.118	24					
109R0624F401	14 to 27.6		0.04	0.96	2,600	0.36 12.7	19.6 0.079	20				
109R0624M401	43.2 to 52.8		0.12	5.76	7,600	1.06 37.1	155.0 0.622	44	-20 to +60	40,000/60°C		
109R0648J401	48	43 to 53	0.07	3.36	5,600	0.78 27.5	87.3 0.351	39				
109R0648G401		40 to 53	0.04	1.92	3,800	0.53 18.7	40.2 0.161	28	-20 to +70		60,000/60°C	
109R0648H401												

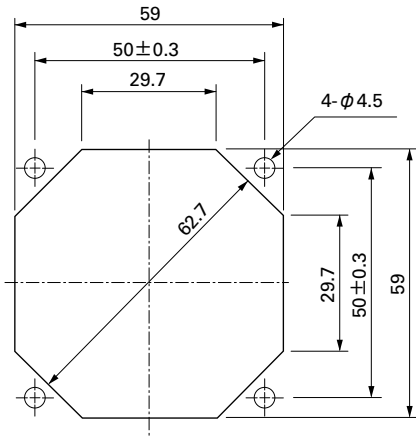
Other sensor specifications are available as options. Please refer to the index (pp. 498 to 499).

Dimensions (unit: mm) (With ribs)



Reference Dimensions of Mounting Holes and Vent Opening (unit: mm)

Inlet side, Outlet side

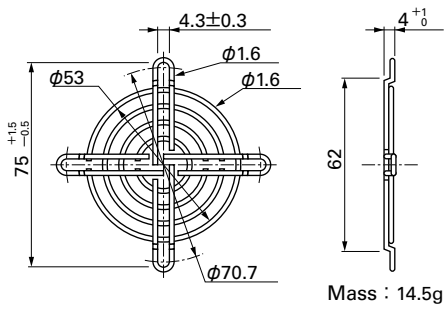


Options (unit: mm)

Finger Guards

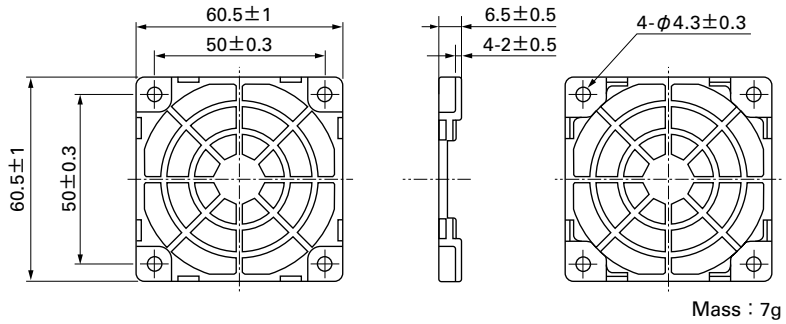
Model : 109-139E Surface treatment : Nickel-chrome plating (silver) Color : 109-139H : Cation electropainting (black)

Inlet side, Outlet side



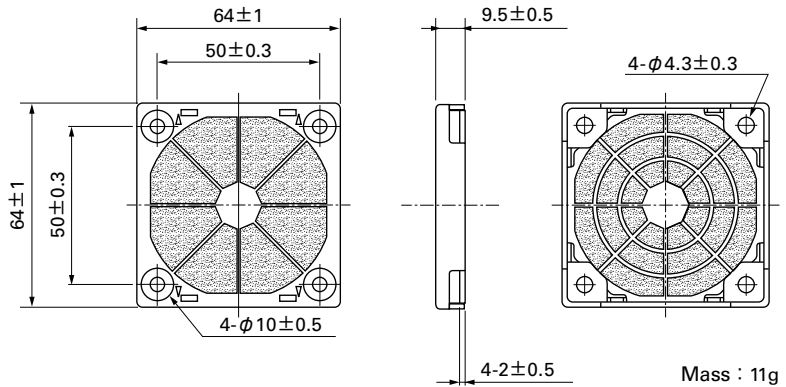
Resin Finger Guards

Model : 109-1003G



Resin Filter Kits

Model : 109-1003F13 (13PPI), 109-1003F20 (20PPI)
: 109-1003F30 (30PPI), 109-1003F40 (40PPI)

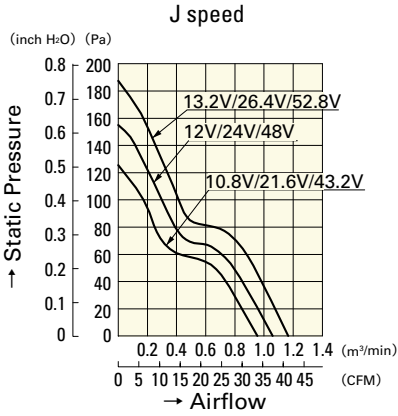


60mm sq.

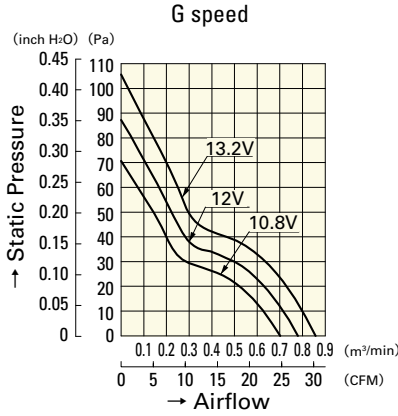
San Ace 60

60×60×25mm [Mass : 90g]

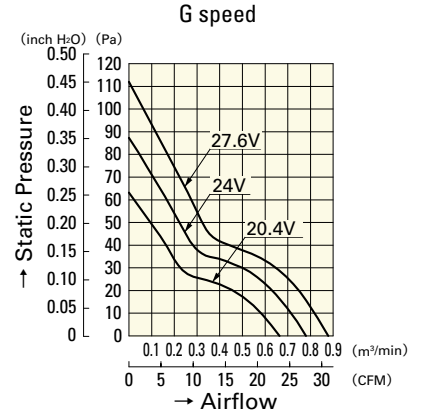
Airflow - Static Pressure Characteristics



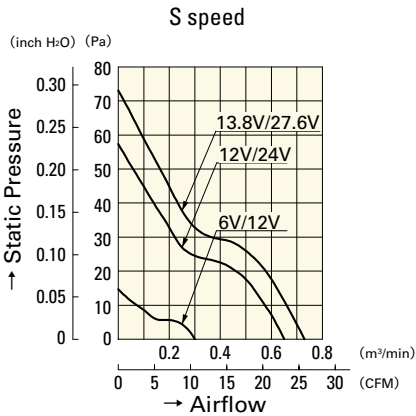
109R0612J401
109R0624J401
109R0648J401



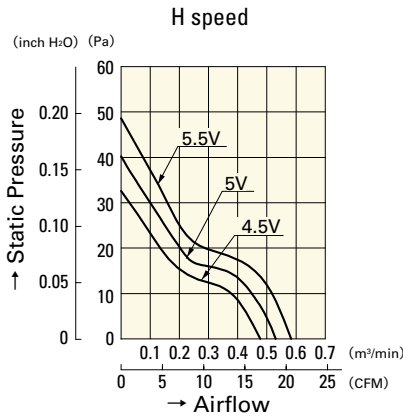
109R0612G401



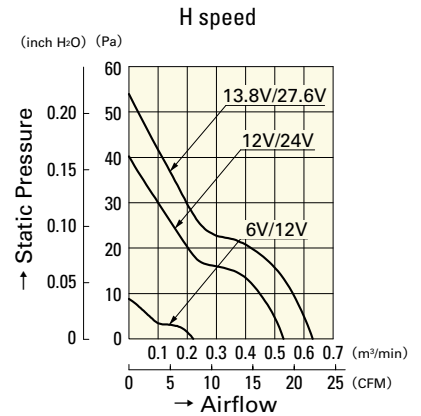
109R0624G401



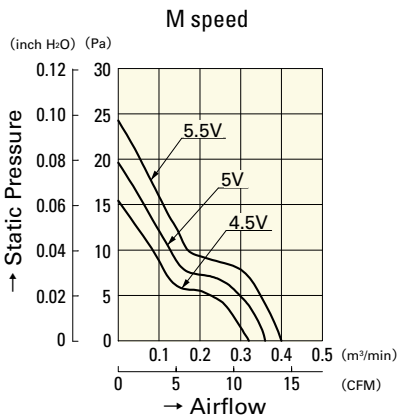
109R0612S401
109R0624S401



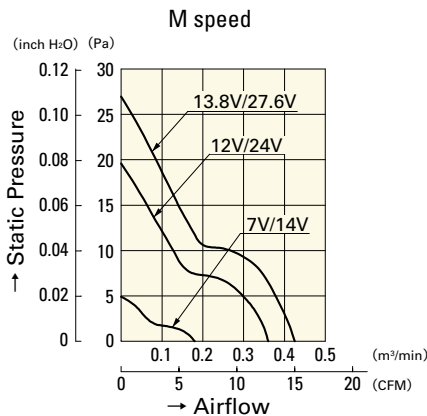
109R0605H401



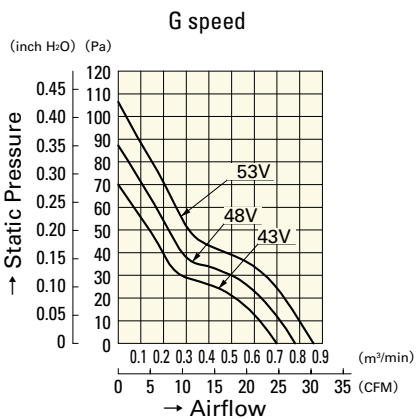
109R0612H401
109R0624H401



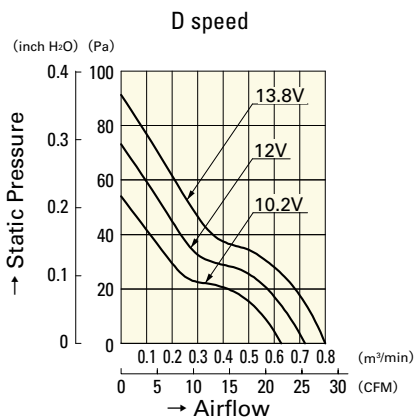
109R0605M401



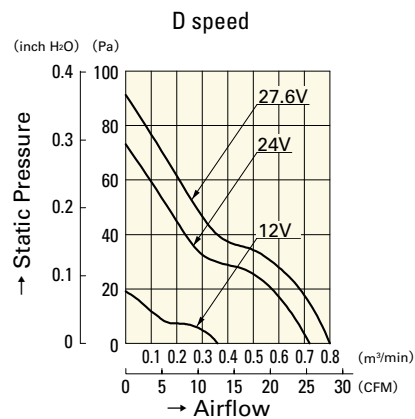
109R0612M401
109R0624M401



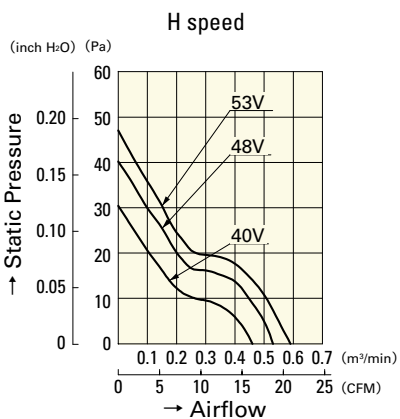
109R0648G401



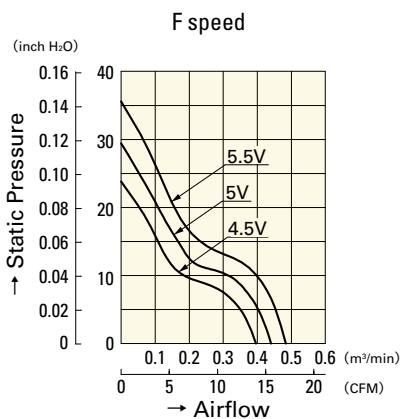
109R0612D401



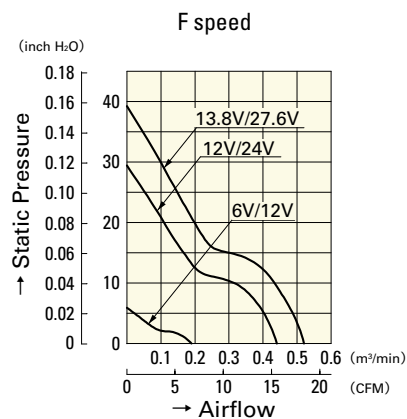
109R0624D401



109R0648H401



109R0605F401



109R0612F401

109R0624F401