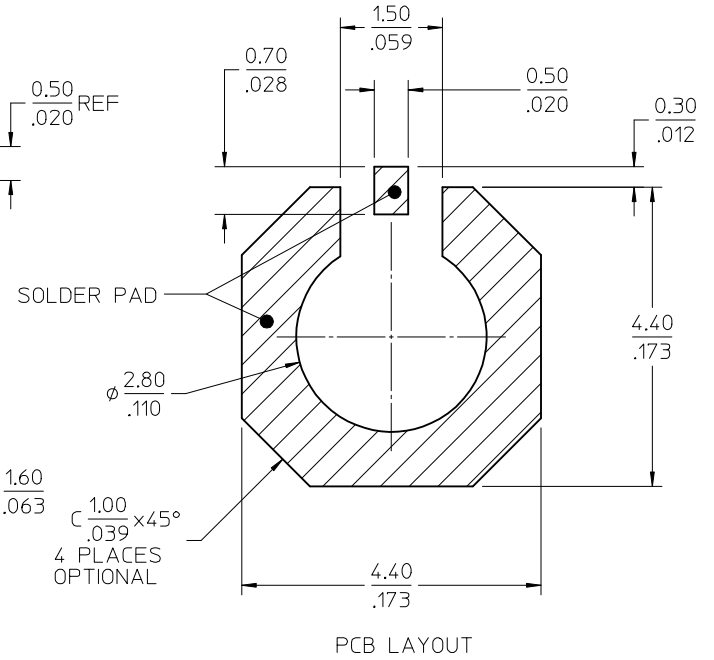
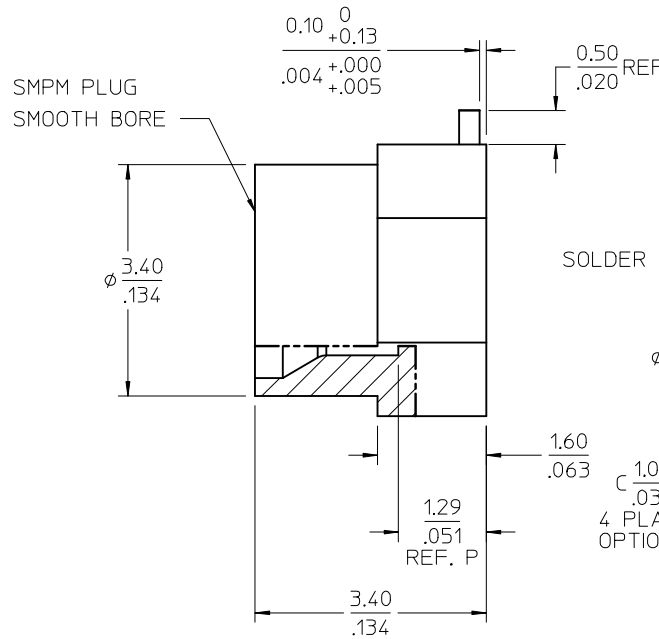
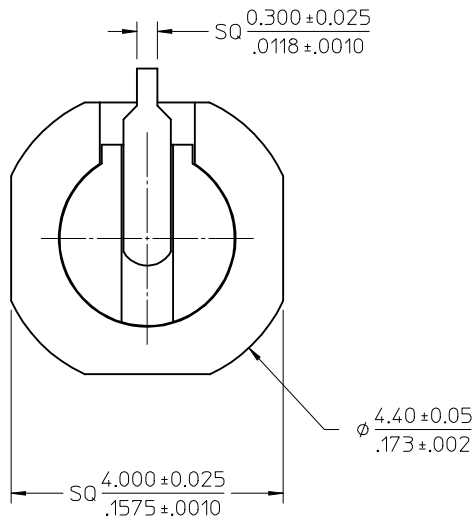
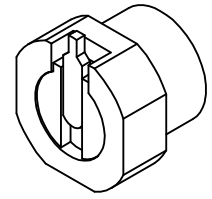


MATERIALS AND FINISHES:

BODY, CENTER CONTACT: BRASS  
 FINISH: GOLD 5u-in MIN OVER  
 NICKEL PHOSPHOR 80u-in MIN

INSULATOR: LCP



73300-0442	TAPE AND REEL WITH KAPTON TAPE
73300-0441	TAPE AND REEL (1500 PCS)
73300-0440	SMPM PLUG SMOOTH BORE INTERFACE (TRAY)
PART NO.	DESCRIPTION

MIL-STD-348A, FIG. 328-3	INTERFACE
SPECIFICATION	DESCRIPTION

CHG: ADDED P/N -0442 EC NO: URF2015-0631 DRW:BSHAH 2015/05/12 CHKD:LLM 2015/05/12 APPR:AROBERTSON 2015/05/13	QUALITY SYMBOLS ▽=0 ▽=0	GENERAL TOLERANCES (UNLESS SPECIFIED)		DIMENSION STYLE MM/IN		SCALE	DESIGN UNITS METRIC	THIRD ANGLE PROJECTION		
		4 PLACES ± --- ± --- 3 PLACES ± --- ± --- 2 PLACES ± --- ± --- 1 PLACE ± --- ± ---	mm INCH	DRAWN BY JLEE02	DATE 2014/06/03	TITLE SMPM PLUG, SMT SB PCB VERTICAL 50 OHM EWR-5398, SMPM-PCB/SMT		MOLEX INCORPORATED		
DRAFT WHERE APPLICABLE MUST REMAIN WITHIN DIMENSIONS		ANGULAR ± 2 °		APPROVED BY WSP INK		DATE 2014/09/04		MATERIAL NO. SEE TABLE		SHEET NO. 1 OF 1
THIS DRAWING CONTAINS INFORMATION THAT IS PROPRIETARY TO MOLEX INCORPORATED AND SHOULD NOT BE USED WITHOUT WRITTEN PERMISSION										