

NOTES:

1) MATERIAL:

HOUSING & INSULATOR: NYLON(PA), GLASS FILLED, UL94V-0, COLOR: BLACK  
 TERMINALS: PHOSPHOR BRONZE, .012/(0.30) THICK  
 SHIELD: BRASS

2) FINISH:

TERMINALS:

- A = SELECT GOLD IN CONTACT AREA: .000050/(0.00127) MIN.,  
 \*SELECT MATTE TIN IN PC TAIL AREA: .000100/(0.00254) MIN.,  
 WITH OVERALL NICKEL UNDERPLATE: .000050/(0.00127) MIN.
- B = SELECT GOLD IN CONTACT AREA: .000030/(0.00076) MIN.,  
 \*SELECT MATTE TIN IN PC TAIL AREA: .000100/(0.00254) MIN.,  
 WITH OVERALL NICKEL UNDERPLATE: .000050/(0.00127) MIN.
- C = SELECT GOLD IN CONTACT AREA: .000015/(0.00038) MIN.,  
 \*SELECT MATTE TIN IN PC TAIL AREA: .000100/(0.00254) MIN.,  
 WITH OVERALL NICKEL UNDERPLATE: .000050/(0.00127) MIN.

SHIELD:

- \*100 MICRONS NICKEL OVER 50 MICRONS COPPER UNDERPLATE
- PCB GROUND TABS DIPPED IN TIN
- \*THE PRIMARY SHIPPING CARTON WILL BE LABELED "COMPLIANT TO RoHS DIRECTIVE 2002/95/EC AND ELV ANNEX II OF DIRECTIVE 2000/53/EC". CARTONS WITHOUT THIS LABEL MAY CONTAIN PRODUCT WITH TIN-LEAD IN THE PC TAILS AND/OR SHIELD.

3) PRODUCT SPECIFICATION AND PROCESSING PARAMETERS: PS-43743-0001.

4) PACKAGING SPECIFICATION:

CONNECTOR ASSEMBLIES TO BE PACKAGED USING TAPE & REEL SYSTEM PER PACKAGING DRAWING PK-70873-7006.

5) COPLANARITY SPECIFICATION:

WHEN AN ASSEMBLY IS PLACED UPON A LEVEL SURFACE, THE MAXIMUM GAP BETWEEN THE LEVEL SURFACE AND ALL TERMINAL TAILS AND FRONT SOLDER TAB IS .006/(0.15).

6) THRU HOLES .094±.002/(2.39±0.05) ARE FOR SHIELDS WITH LOCATION TABS ONLY.

7) AVAILABLE WITH (4) OPTIONAL SIDE GROUND TABS (OMITTED FOR SIDE TO SIDE STACKABILITY).

8) AVAILABLE WITH (2) OPTIONAL LOCATION TABS FOR LOCATING COMPONENT TO PCB AND/OR GROUNDING TO PCB.

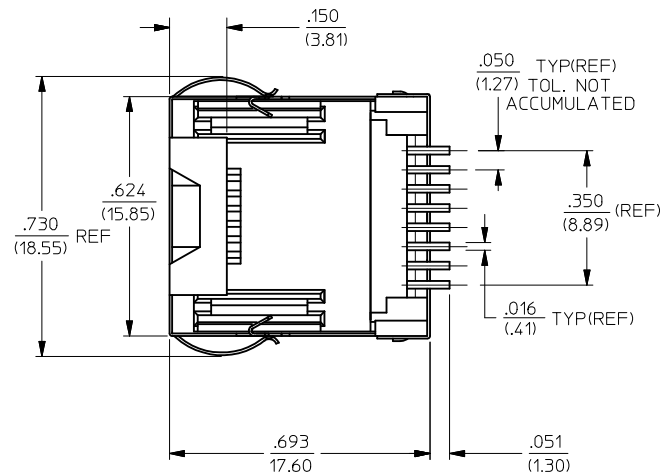
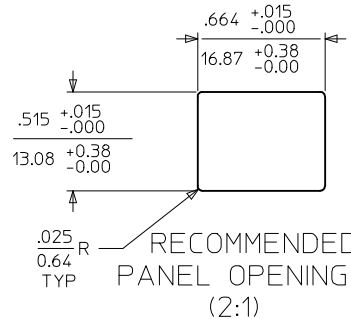
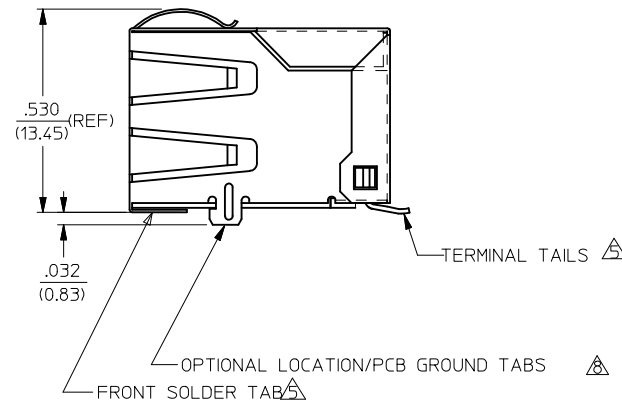
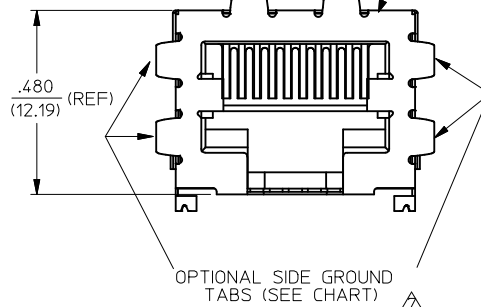
9) FOR ASSEMBLIES HAVING VOIDED CIRCUITS, THE TAIL PORTION IS CUT AND REMOVED. THE MATING PORTION OF THE TERMINAL REMAINS INTACT.

10) CONFORMS TO FCC REGULATION PART 68.5 FOR MODULAR JACKS.

11) THIS PART CONFORMS TO CLASS B REQUIREMENTS OF COSMETIC SPECIFICATION PS-45499-002.

OPTIONAL TOP GROUND TABS (SEE CHART)

SHIELDED SMT MODJACK ASSEMBLY



44282-1004	A	NO	NO	YES	NONE
44282-0012	C	NO	YES	NO	NONE
44282-0011	B	NO	YES	NO	NONE
44282-0010	A	NO	YES	NO	NONE
44282-0009	C	YES	YES	NO	NONE
44282-0008	B	YES	YES	NO	NONE
44282-0007	A	YES	YES	NO	NONE
44282-0006	C	NO	YES	YES	NONE
44282-0005	B	NO	YES	YES	NONE
44282-0004	A	NO	YES	YES	NONE
44282-0003	C	YES	YES	YES	NONE
44282-0002	B	YES	YES	YES	NONE
44282-0001	A	YES	YES	YES	NONE

44282-0001, 44282-0002 & 44282-0003 SHOWN

ASSEMBLY MAT. NO.	TERMINAL PLATING	SHIELD SIDE TABS	SHIELD TOP TABS	LOCATION TABS	VOIDED CIRCUITS
-------------------	------------------	------------------	-----------------	---------------	-----------------

REVISED NOTES  
 EC NO: UCP2009-1244  
 DRWN: JLOSTEMEIER 2008/12/10  
 CHKD: JBELLE 2008/12/10  
 APPR: FSMITH 2008/12/10

QUALITY SYMBOLS  
 ▽=0  
 ▽=0

DESCRIPTION  
 REV: D3

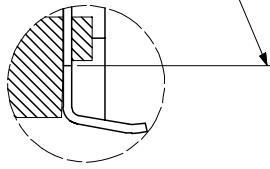
GENERAL TOLERANCES (UNLESS SPECIFIED)	
mm	INCH
4 PLACES ± .010	± .004
3 PLACES ± .010	± .004
2 PLACES ± .025	± .010
1 PLACE ± .050	± .020
ANGULAR ± 1/2°	
DRAFT WHERE APPLICABLE MUST REMAIN WITHIN DIMENSIONS	

DIMENSION STYLE	
IN/MM	
DRAWN BY	DATE
STAMBAUG	99/06/03
CHECKED BY	DATE
WIRKUS	99/06/03
APPROVED BY	DATE
EDGLEY	99/06/03
MATERIAL NO.	
SEE CHART	
SIZE C	

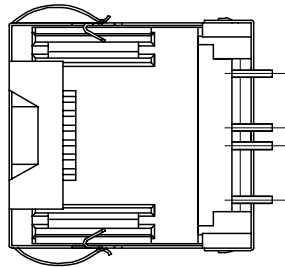
SCALE 1:1	DESIGN UNITS INCH	THIRD ANGLE PROJECTION
TITLE SINGLE PORT, SHIELDED SIZE 8, 8 CIRCUIT SMT MODJACK		
MOLEX MOLEX INCORPORATED		
DOCUMENT NO. SD-44282-001	SHEET NO. 1 OF 2	
THIS DRAWING CONTAINS INFORMATION THAT IS PROPRIETARY TO MOLEX INCORPORATED AND SHOULD NOT BE USED WITHOUT WRITTEN PERMISSION		

13 12 11 10 9 8 7 6 5 4 3 2 1

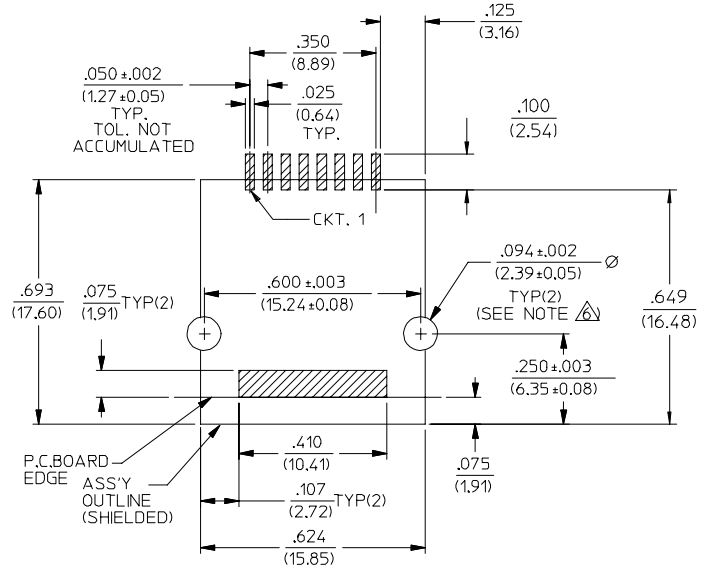
TERMINAL CUTOFF POINT



VIEW SHOWING TYPICAL TERMINAL CUTOFF OF TAIL (SEE NOTE 10) FOR VOIDED CIRCUITS.



TYPICAL VIEW SHOWING VOIDED CIRCUIT (CIRCUITS 2,3,6 & 7 SHOWN VOIDED)



PC BOARD LAYOUT FOR 8 POSITION HOUSING  
(COMPONENT SIDE OF BOARD)

NOTES:  
1. RECOMMENDED MINIMUM PCB THICKNESS: .034/0.86

SEE SHEET ONE FC NO: UCP2008-0143 DRAWN: JBELL 2007/07/24 CHKD: LS/MI DT 2007/07/30 APPR: FSM TH 2007/08/01 D2	QUALITY SYMBOLS ▽=0 ▽=0	GENERAL TOLERANCES (UNLESS SPECIFIED)		DIMENSION STYLE IN/MM		SCALE 4:1	DESIGN UNITS INCH	THIRD ANGLE PROJECTION		
		mm	INCH	DRAWN BY	DATE	TITLE				
		4 PLACES ± ---	± ---	STAMBAUG	99/06/03	SURFACE MOUNT MODULAR JACK W/ SHIELD				
		3 PLACES ± ---	± .010	CHECKED BY	DATE	MOLEX INCORPORATED				
2 PLACES ± 0.25	± ---	WIRKUS	99/06/03	APPROVED BY		DATE	DOCUMENT NO.			
1 PLACE ± ---	± ---	EDGLEY	99/06/03	MATERIAL NO.		SD-44282-001		SHEET NO.		
ANGULAR ±1/2°		SEE CHART		SIZE		THIS DRAWING CONTAINS INFORMATION THAT IS PROPRIETARY TO MOLEX INCORPORATED AND SHOULD NOT BE USED WITHOUT WRITTEN PERMISSION		2 OF 2		

12 11 10 9 8 7 6 5 4 3 2 1