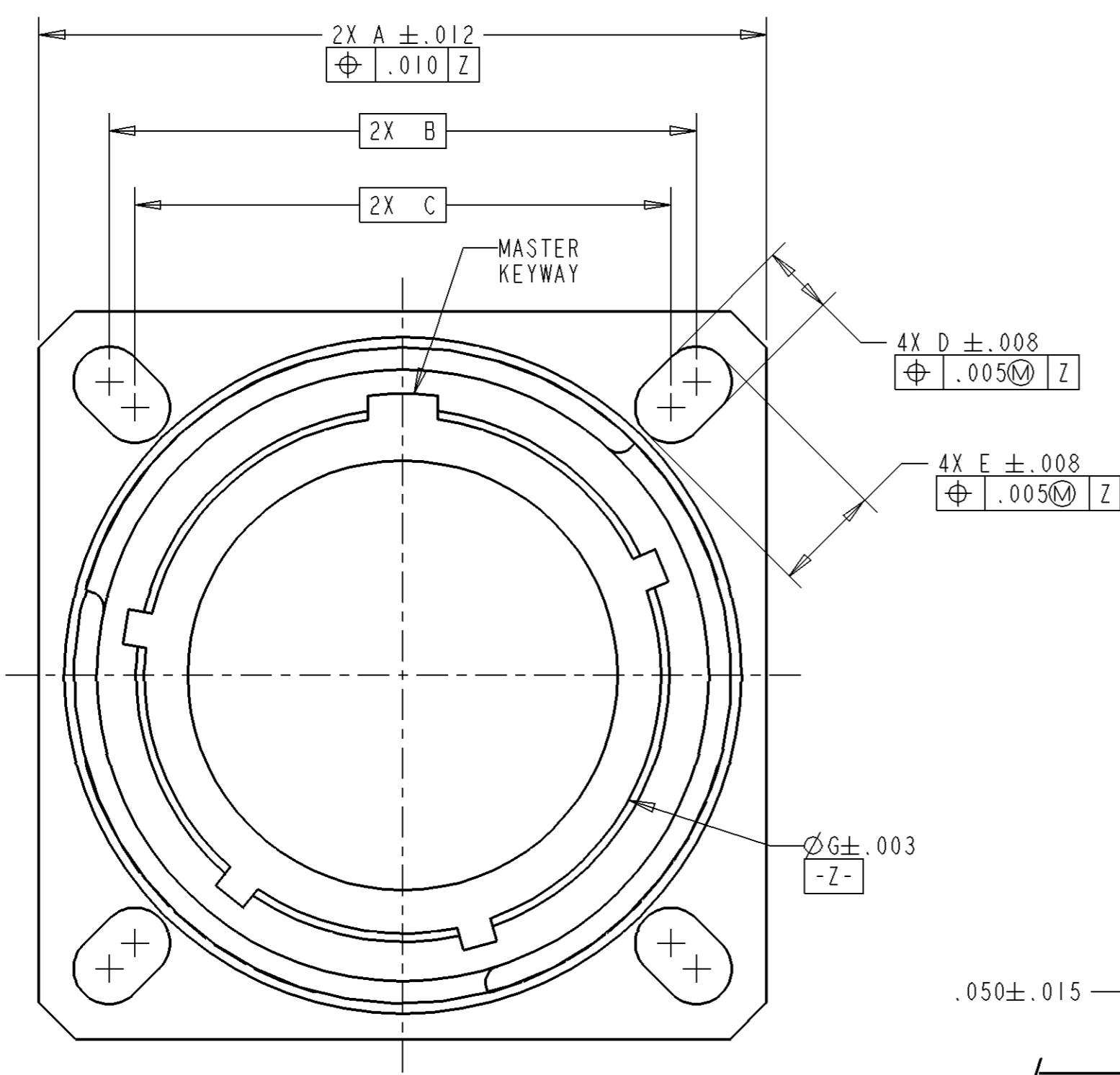
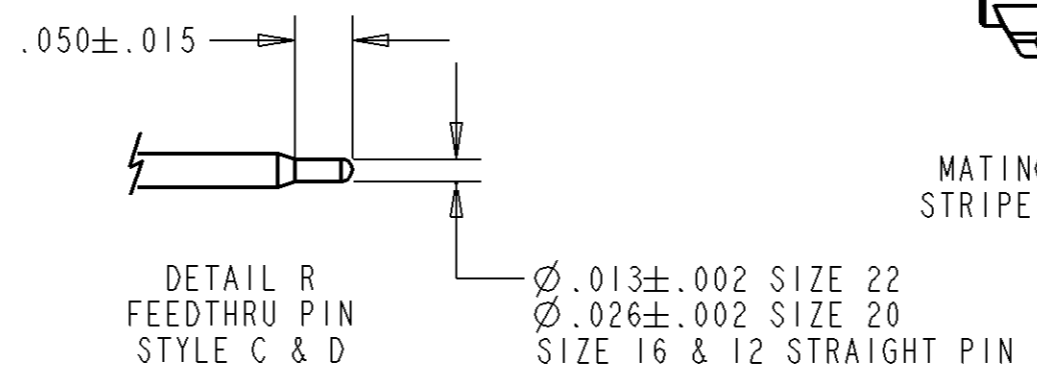
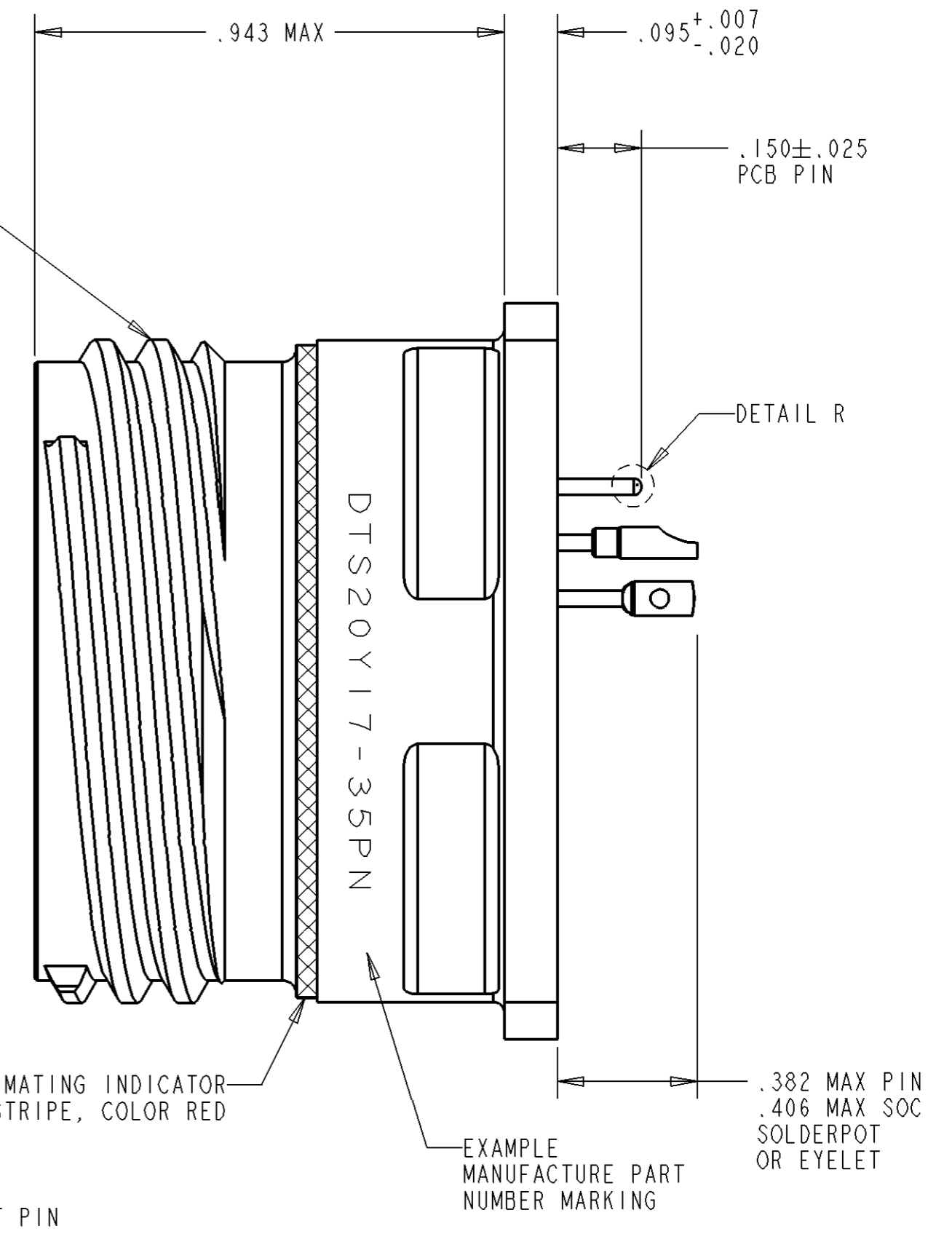


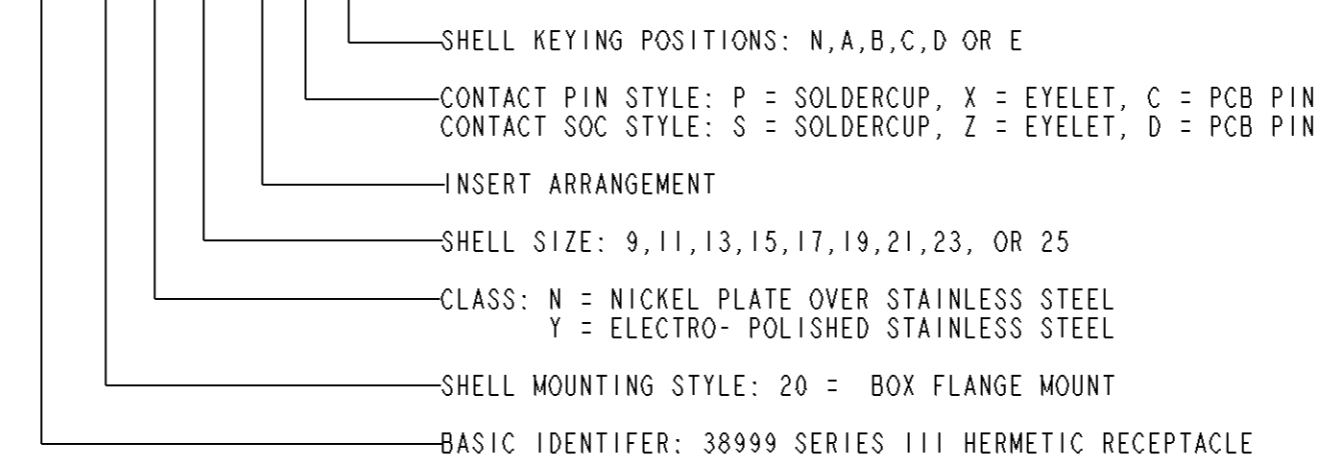
REVISIONS			
REV	DESCRIPTIONS	DATE	APPROVED
N/C	NEW RELEASE PER E.O.H4567	090805	M.A.
A	REVISED PER E.O.H4638	101025	MA.



STUB 60° MOD.
 TRIPLE START THREAD
 "F"-.1P-.3L CLASS 2A
 (SEE COLUME "F THREAD")



PART NUMBER BREAKDOWN: DTS 20 Y 17-35 P N



SHELL SIZE	A	B	C	D	E	F THREAD	G
9	.937	.719	.594	.128	.216	.6250	.444
11	1.032	.812	.719	.128	.194	.7500	.572
13	1.126	.906	.812	.128	.194	.8750	.684
15	1.221	.969	.906	.128	.173	1.0000	.808
17	1.311	1.062	.969	.128	.194	1.1875	.934
19	1.437	1.156	1.062	.128	.194	1.2500	1.039
21	1.563	1.250	1.156	.128	.194	1.3750	1.164
23	1.689	1.375	1.250	.154	.242	1.5000	1.289
25	1.811	1.500	1.375	.154	.242	1.6250	1.414

FILE:DTS20XXX-XXXX-SNAP

- DIMENSIONS ARE IN INCHES UNLESS OTHERWISE NOTED.
- INSERT ARRANGEMENT CONFORMS TO MIL-STD-1560.
- LEAK REATE: <IE-8 cc/sec He @ 1 atm.
- FINISH: SHELL - ELECTRO-POLISH
PIN CONTACTS - GOLD OVER NICKEL
- MATERIAL: SHELL - STAINLESS STEEL
PIN CONTACTS - HIGH NICKEL IRON ALLOY OR EQUIVALENT
GLASS - COMPRESSION GLASS
PIN INSERT & INTERNAL SEAL - FLUOROSILICONE ELASTOMER
- MATES WITH DTS26 SERIES PLUG CONNECTOR.
- CONNECTOR MEETS REQUIREMENTS OF MIL-DTL-38999 SERIES III.
- CONSULT CUSTOMER SERVICE FOR ARRANGEMENT AVAILABILITY.
- MOUNTING INFORMATION: DIMENSION "B" FRONT OR REAR PANEL MOUNT
DIMENSION "C" FRONT PANEL MOUNT ONLY

NOTE(S):

SIGNATURE & DATE		CONNECTOR, RECEPTACLE HERMETIC SQUARE FLANGE MOUNT THREAD COUPLING MIL-DTL-38999/21 ENVELOPE	NBO	MATL CODE 72
DR	S.LUI 090805		 250 Eddie Jones Way Oceanside, CA 92058	
CHK	M.ALLEN 090805			
PE				
APPD	A.RENGIFO 090805		C	DTS20***-****
SCALE:		DWG SIZE	CAGE CODE 11139	SHEET 1 OF 1