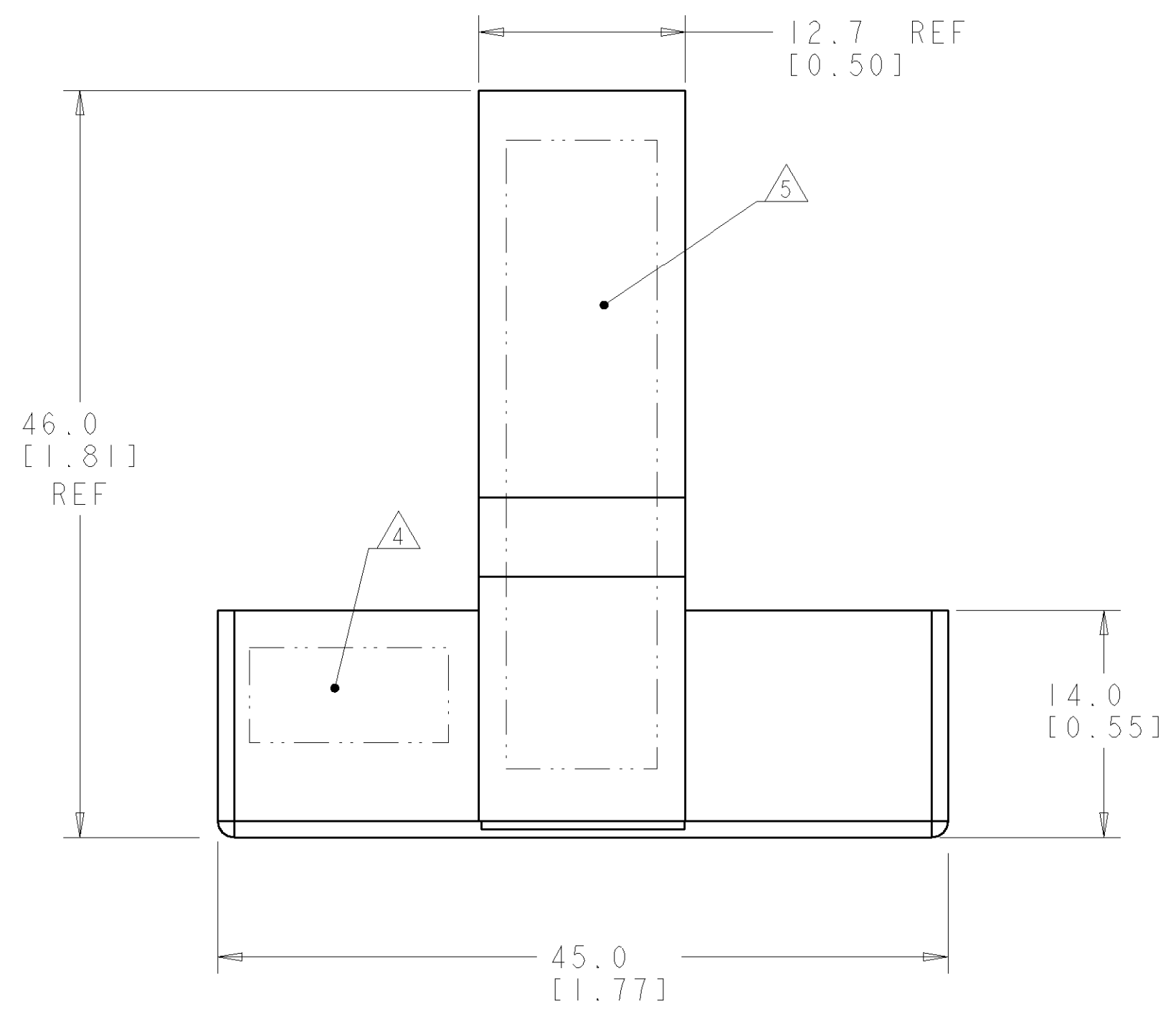


THIS DRAWING IS UNPUBLISHED. RELEASED FOR PUBLICATION 20
 © COPYRIGHT 20 BY TYCO ELECTRONICS CORPORATION. ALL RIGHTS RESERVED.

LOC	DIST	REVISIONS					
		P	LTR	DESCRIPTION	DATE	DWN	APVD
GP	00	B		REV PER ECO-07-018384	19JUL2007	RG	PD



- PART NUMBER CHANGES AND OR DESIGN CHANGES AFFECTING ITEM INTERCHANGEABILITY REQUIRE PRIOR TYCO ELECTRONICS APPROVAL AND AUTHORIZATION BY REVISION TO THIS DRAWING.
- MATERIAL:
 LABEL - POLYESTER, COLOR - YELLOW
 INSULATORS - THERMOPLASTIC, GLASS REINFORCED, COLOR: BLACK, UL94V-0 FLAMMABILITY RATED.
 POWER CONTACTS - PHOSPHOR BRONZE ALLOY, COPPER ALLOY
- FINISH:
 CONTACTS - GOLD PLATE 0.76 μM MIN. THK., OVER NICKEL 1.27 μM MIN. THK

△ ITEMS PROVIDED TO THIS SPECIFICATION TO BE PERMANENTLY IDENTIFIED PER THE FOLLOWING IDENTIFIER LABEL

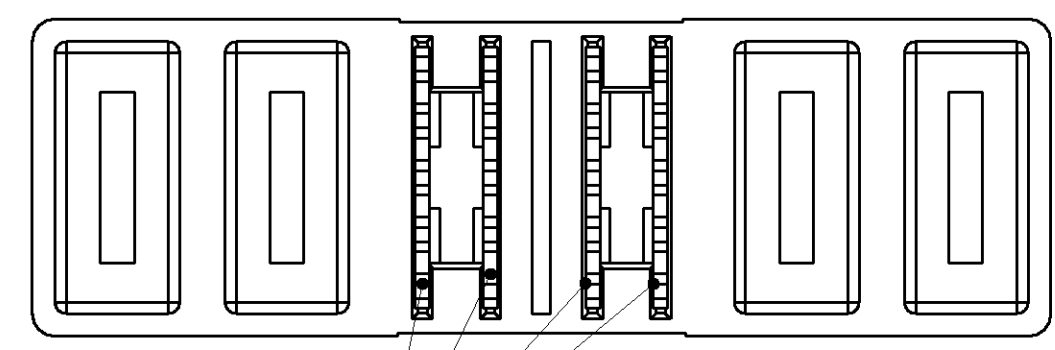
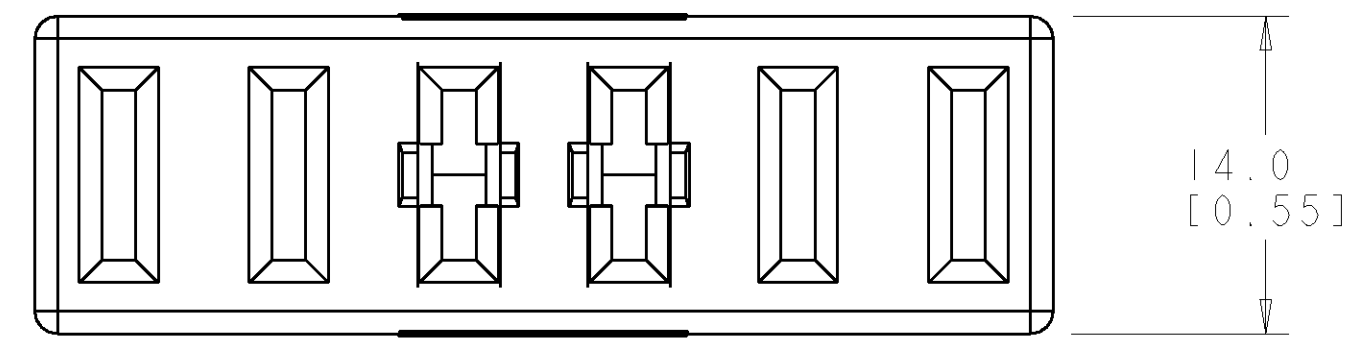
YEAR WEEK

TYCO ELECTRONICS P/N DATE CODE (e.g. 0106)

XXXXXXX-X XXXX

△ NOTE APPLIED TO LABEL:
 CAUTION:
 REMOVE PROTECTIVE CAP PRIOR TO CARD INSERTION

6. CONTACTS ARE NON-FUNCTIONAL AND ARE LOADED IN THE CAVITIES FOR RETENTION ONLY.



CONTACTS LOADED IN THESE CAVITIES

AS SHOWN	1926303-1
DESCRIPTION	PART NUMBER

ELCON **FLATPAQ**

THIS DRAWING IS A CONTROLLED DOCUMENT FOR TYCO ELECTRONICS CORPORATION IT IS SUBJECT TO CHANGE AND THE CONTROLLING ENGINEERING ORGANIZATION SHOULD BE CONTACTED FOR THE LATEST REVISION.		DWN R. GRZYBOWSKI 16 JAN 2007	tyco Electronics Tyco Electronics Harrisburg, PA 17105-3608	
DIMENSIONS: mm		CHK P. DAMATO 16 JAN 2007	NAME PROTECTIVE CAP ASSEMBLY FLATPAQ	
TOLERANCES UNLESS OTHERWISE SPECIFIED: 0 PLC ±.5 [.020] 1 PLC ±.5 [.020] 2 PLC ±.25 [.010] 3 PLC ±. 4 PLC ±. ANGLES ±.5 FINISH		APVD S. FLICKINGER 16 JAN 2007	RESTRICTED TO	
MATERIAL		PRODUCT SPEC - APPLICATION SPEC - WEIGHT -	SIZE A200779	DRAWING NO G-1926303
-		CUSTOMER DRAWING	SCALE 3:1	SHEET 1 OF 1 REV B