

433 MHz External Antenna



AEACAC053010-S433



53.4 x Ø10.4 mm
RoHS/RoHS II Compliant

MSL = N/A: NOT APPLICABLE

FEATURES

- Low Frequency of 433 MHz
- VSWR ≤ 2.0
- Gain of 2dBi
- Input power of 10W

APPLICATIONS

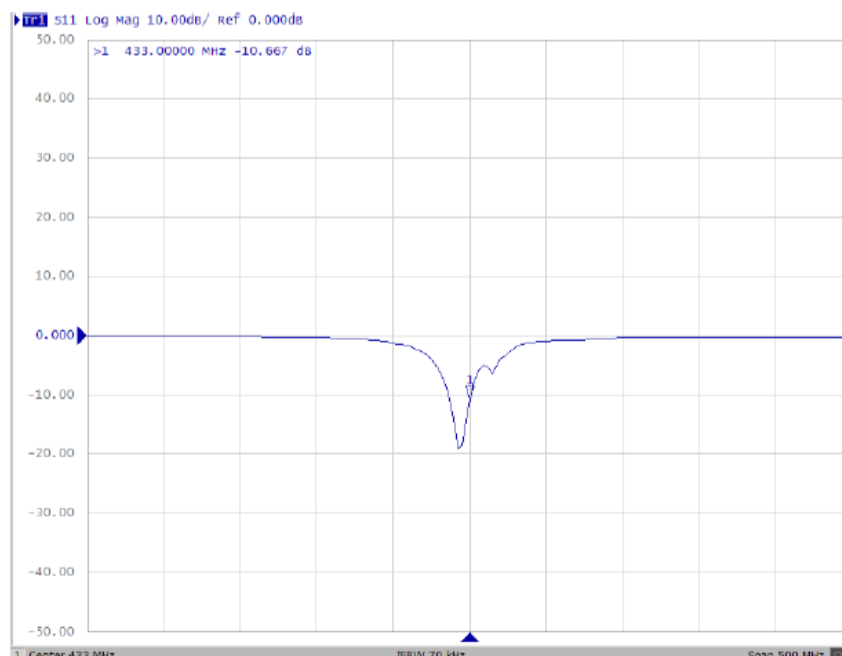
- IoT and wearable
- Wireless
- ISM Band
- LoRa
- SigFox
- RFID
- Remote Technology/Monitoring
- Smart Meters
- Medical Devices
- Home Automation
- M2M

ELECTRICAL SPECIFICATIONS

Item	min	Typ.	Max.	Units	Note
Frequency Range		433		MHz	
Bandwidth		CF \pm 5 MHz			
VSWR			2.0		
Polarization Model		Linear			
Impedance		50		Ω	
Gain		2		dBi	Zenith
Operating Temperature	-40		+85	$^{\circ}$ C	
Input Power			10	W	

RETURN - LOSS CHARACTERISTICS

S11 Return-Loss



433 MHz External Antenna

AEACAC053010-S433



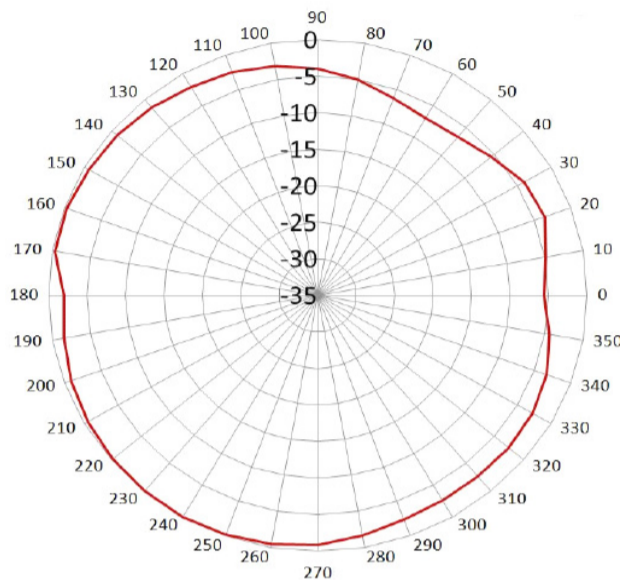
53.4 x Ø10.4 mm
RoHS/RoHS II Compliant

MSL = N/A: NOT APPLICABLE

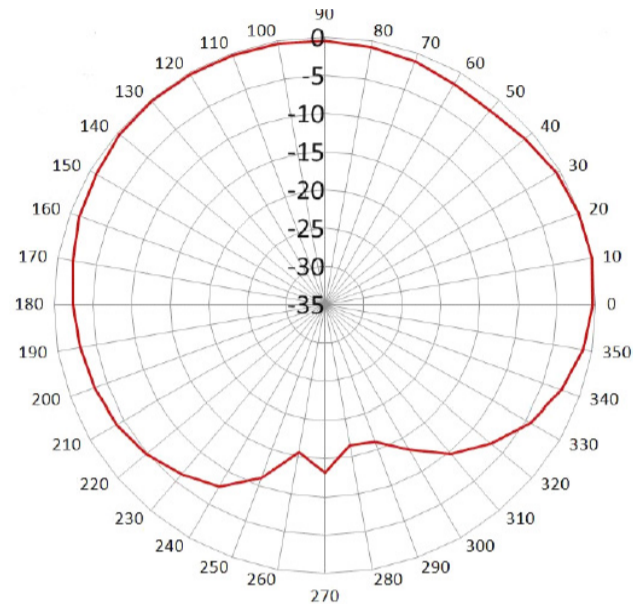
RADIATION PATTERNS

Antenna 2D Patterns for 433 MHz

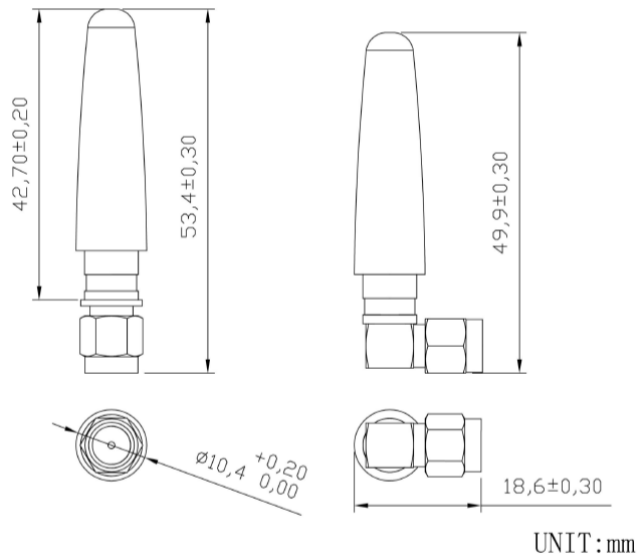
Horizontal Plane



Vertical Plane



DIMENSIONS



Parameters	Description
RF Connector	SMA Male
Mounting Type	Connector mount

433 MHz External Antenna



AEACAC053010-S433

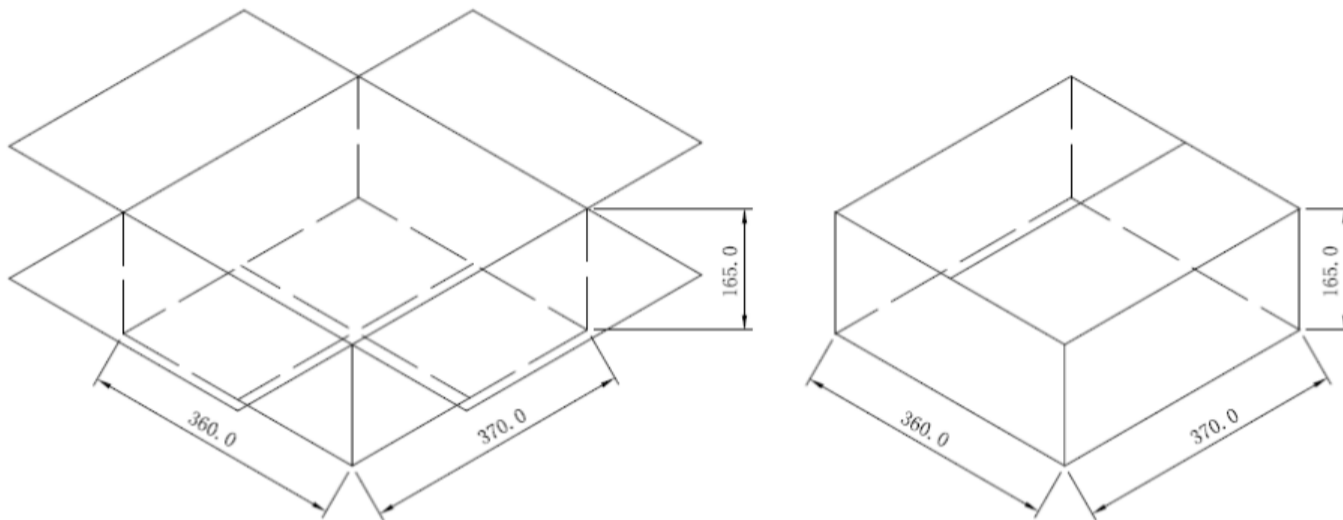


53.4 x Ø10.4 mm
RoHS/RoHS II Compliant

MSL = N/A: NOT APPLICABLE

PACKAGING

Each 370 x 360 x 165 mm size carton includes 1000 pcs antenna, 8kgs/carton.



Unit: mm