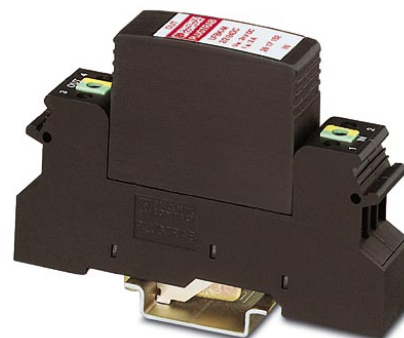


# UFBK-M 2/2- 24AC-ST

## Discontinued item


Order No.: 2817149



<http://eshop.phoenixcontact.de/phoenix/treeViewClick.do?UID=2817149>

Protective plug UFBK-M with protective circuit for 2 conductors of signal circuits grounded on one side. Nominal voltage: 24 V AC

### Commercial data

|                |  |
|----------------|--|
| GTIN (EAN)     | <br>4 017918 129897 |
| Note           | Made-to-order  |
| sales group    | J221   |
| Pack           | 10 pcs.  |
| Customs tariff | 85363010   |

### Product notes

WEEE/RoHS-compliant since:  
07/20/2006



<http://www.download.phoenixcontact.com>  
Please note that the data given here has been taken from the online catalog. For comprehensive information and data, please refer to the user documentation. The General Terms and Conditions of Use apply to Internet downloads.

### Technical data

#### General

|  |                   |
|--|-------------------|
| Housing material   | PA                |
| Inflammability class acc. to UL 94                           | V2                |
| Ambient temperature (operation)                              | -40 °C ... 80 °C  |
| Degree of protection   | IP20              |
| Arrester can be tested with TT-Tester from software version: | From SW rev. 6.00 |

|  |                   |
|--|-------------------|
| Arrester can be tested with CHECKMASTER from software version: | From SW rev. 1.00 |
| Pitch unit   | 1 Div.            |

**Protective circuit**

|   |  |
|---|--|
| Nominal voltage $U_N$   | 24 V AC  |
| Nominal current $I_N$   | 2 A  |
| Operating effective current $I_C$ at $U_C$                        | 100 $\mu$ A  |
| Nominal discharge surge current $I_n$ (8/20) $\mu$ s (Core-Core)  | 10 kA  |
| Nominal discharge surge current $I_n$ (8/20) $\mu$ s (Core-Earth) | 10 kA  |
| Output voltage limitation at 1 kV/ $\mu$ s (Core-Earth) static    | (<1,8 $U_{max}$ )  |
| Response time $t_A$ (Core-Earth)                                  | $\leq 1$ ns  |
| Resistance in series  | < 100 m $\Omega$ (Path 1-3)<br>< 100 m $\Omega$ (Path 2-4) |

**Connection data**

|  |                     |
|--|---------------------|
| Type of connection                     | Screw connection    |
| Screw thread                           | M3                  |
| Stripping length                       | 8 mm                |
| Conductor cross section stranded min.  | 0.2 mm <sup>2</sup> |
| Conductor cross section stranded max.  | 2.5 mm <sup>2</sup> |
| Conductor cross section solid min.     | 0.2 mm <sup>2</sup> |
| Conductor cross section solid max.     | 4 mm <sup>2</sup>   |
| Conductor cross section AWG/kcmil min. | 24                  |
| Conductor cross section AWG/kcmil max  | 12                  |

**Certificates / Approvals**

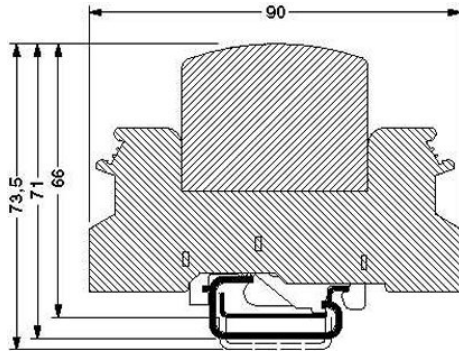


Certification

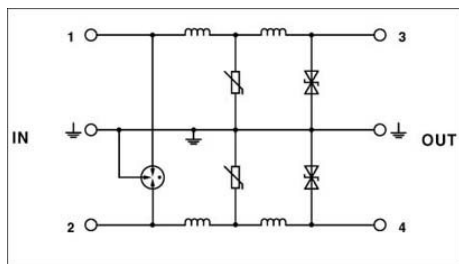
GOST

## Diagrams/Drawings

Dimensioned drawing



Circuit diagram



**Address**

PHOENIX CONTACT Deutschland GmbH  
Flachmarktstr. 8  
32825 Blomberg, Germany  
Phone +49 5235 3 12000  
Fax +49 5235 3 41200  
<http://www.phoenixcontact.de>



© 2011 Phoenix Contact  
Technical modifications reserved;