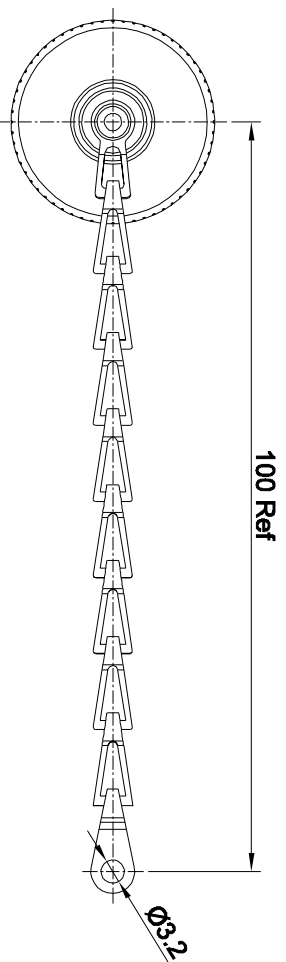
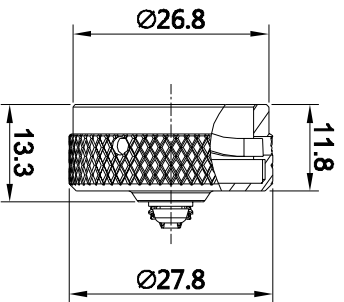


REVISIONS				
REV	ECO	DESCRIPTION	DATE	BY APPR
B1	-	RELEASED DRAWING	JUN-23-2014	BEN TOMMY



RT014DC X X  
① ②

P/N	①	②	CHAIN	PLATING
RT014DC	---	---	NO CHAIN	NICKEL PLTING
RT014DCA	---	A	NO CHAIN	BLACK ANODIZING
RT014DCG	G	---	CHAIN	NICKEL PLTING
RT014DCGA	G	A	CHAIN	BLACK ANODIZING

- NOTES : (UNLESS OTHERWISE SPECIFIED)
- MATERIAL :  
RIVET : COPPER ALLOY,NICKEL PLATING  
CHAIN : STAINLESS STEEL  
DUST CAP : AL ALLOY , NICKEL PLATED.  
GASKET : EPDM.
  - SPECIFICATIONS :  
2.1 OPERATING TEMPERATURE : -40°C ~ +105°C.  
2.2 IP--CLASS : IP67.  
2.3 MATTING CYCLES DURABILITY : 500 CYCLES MIN.  
2.4 ROHS COMPLIANT.
  - ALL DIMENSIONS ARE FOR REFERENCE USE ONLY.

QUANTITY	SEE PART NUMBER CHART	PART NUMBER	DESCRIPTION	ITER
<b>MATERIALS LIST</b>				
UNLESS OTHERWISE SPECIFIED		SIGNATURES	DATE	
1) All dimensions are in millimeters.		DRAWN: BEN	JUN-23-14	
2) Tolerances are as follows:		CHECKED:		
1 Ft. DEC 2d 20		ENGINEER:		
3 Ft. DEC 2d 20		APPROVAL:		
3) Note reference =		CUSTOMER:		
MATERIAL SPECIFICATIONS:		THIS DRAWING IS SUPPLIED FOR SPECIFICATIONS AND PERFORMANCE DATA. THE DRAWING IS NOT TO BE USED FOR REPRODUCTION AND ALL RIGHTS OF REPRODUCTION ARE RESERVED. ALL MANUFACTURING VARIATION.		
PROCESS SPECIFICATIONS:		ECO-MATE DUSTCAP FOR RECEPTACLE SIZE 14		
NEXT ASST:		SCALE: NONE	SIZE: B	DWG NO: RT014DCX
			TYPE: C-	REVISION: B1
				SHEET 1 OF 1

**Amphenol**

Sine Systems - www.amphenol-sine.com  
44724 Morley Drive  
Clinton Township, MI 48038

ECO-MATE DUSTCAP FOR RECEPTACLE SIZE 14

SIZE: B  
TYPE: C-  
DWG NO: RT014DCX  
REVISION: B1  
SHEET 1 OF 1

TITLE: ECO-MATE DUSTCAP FOR RECEPTACLE SIZE 14

DWG NO: RT014DCX

REV: B1

SH: 1

9F