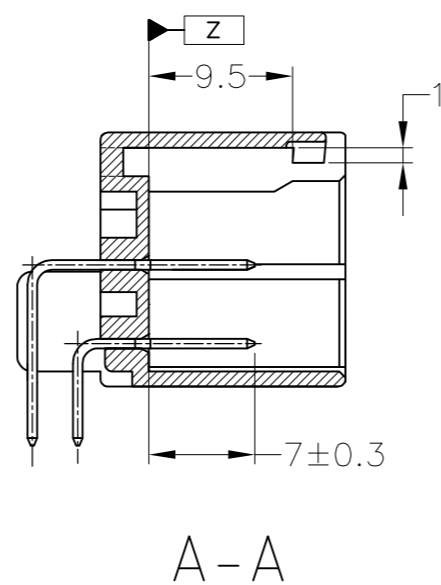
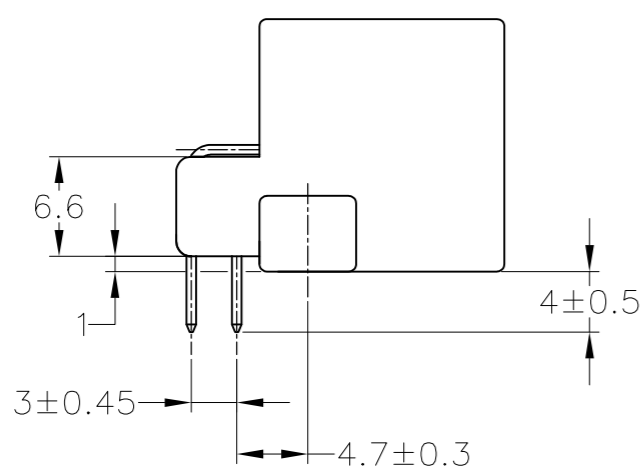
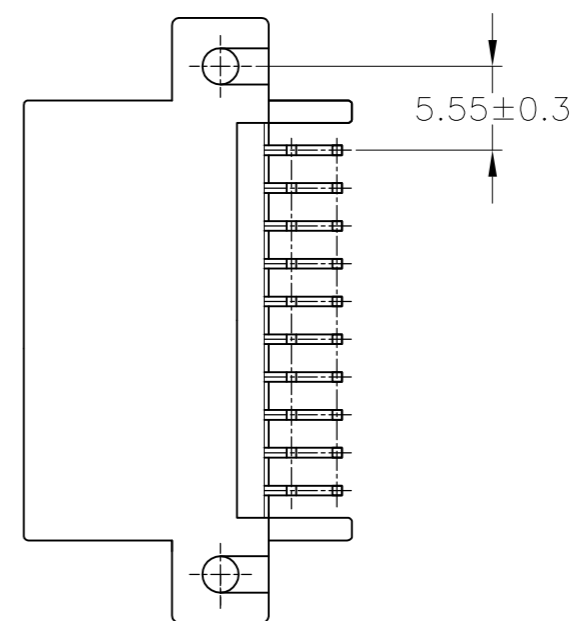
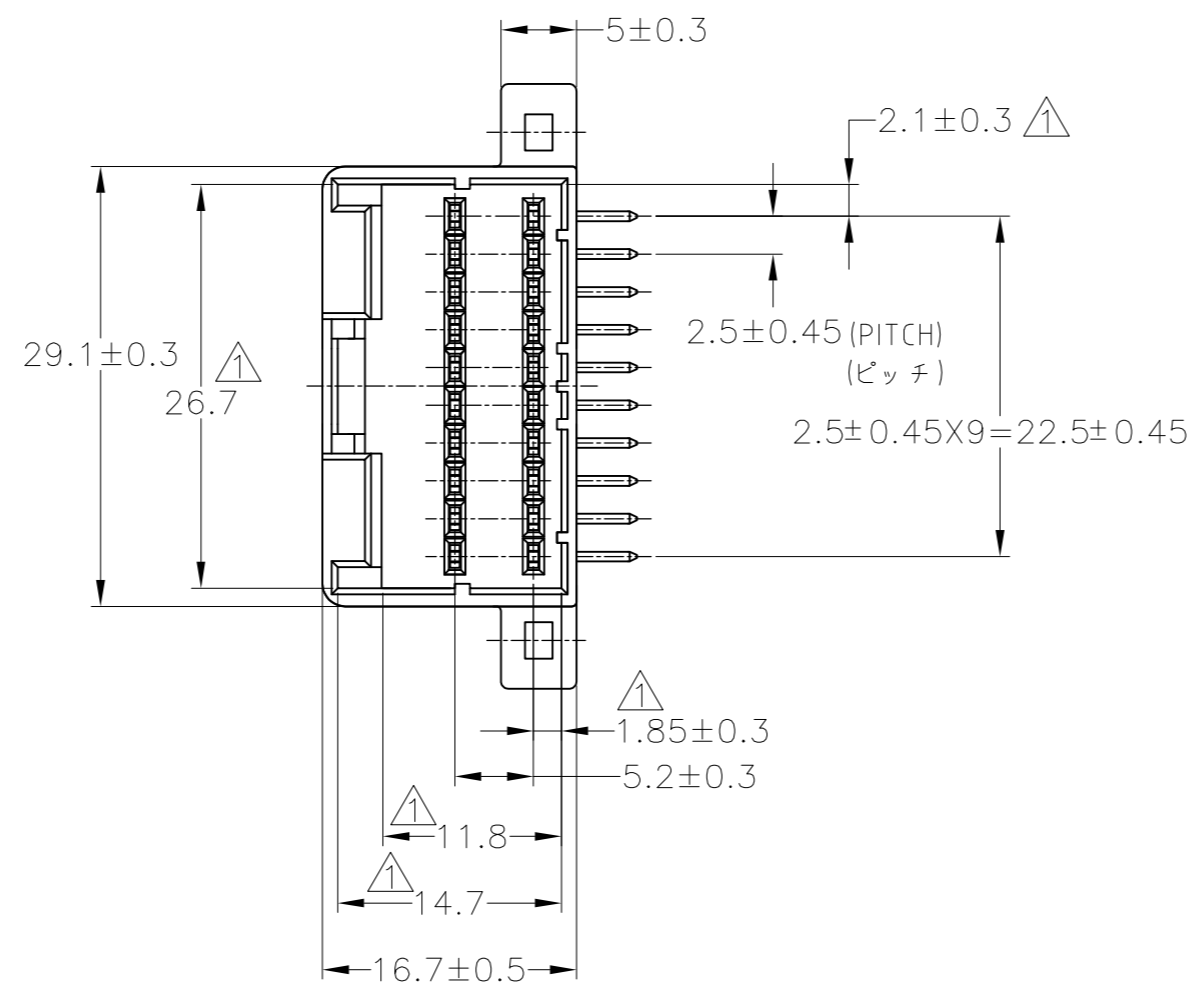
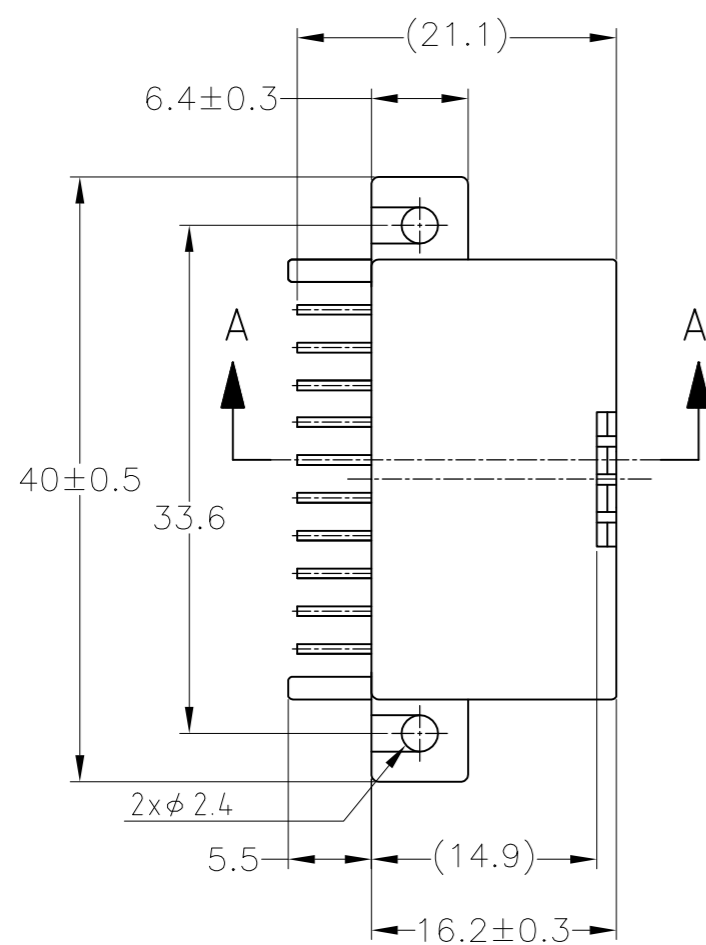
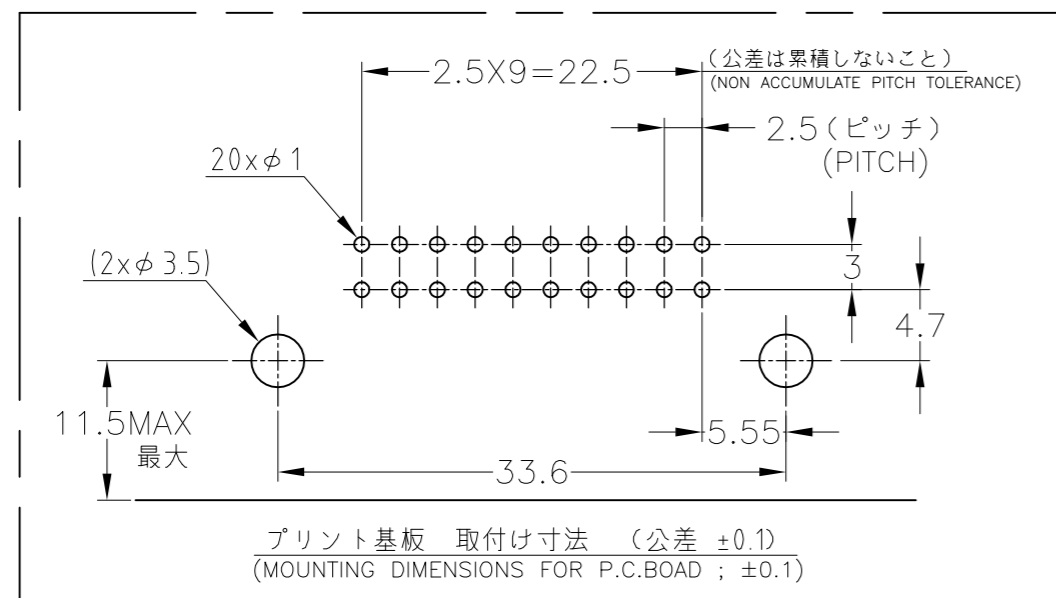


THIS DRAWING IS UNPUBLISHED. RELEASED FOR PUBLICATION
 © COPYRIGHT 2016 By Tyco Electronics Japan G.K. ALL RIGHTS RESERVED.

REVISIONS					
P	LTR	DESCRIPTION	DATE	DWN	APVD
G6		OBsolete 1--2	17AUG16	KF	HY



- △ Z 面より2mmの範囲で測定
 2. 適用プリント基板厚 : 1.6mm
 3. かん合相手ハウジング型番 : 174047
 4. 推奨取付けネジ : JIS B1115, B1122 タッピングねじ、なべ2種
 呼び径3、長さ7mm以上 (締付トルク : 0.39N-m以下)
- △ TO BE MEASURED WITHIN 2mm FROM Z
 2 APPLICABLE P.C. BOARD THICKNESS: 1.6mm
 3 THE MATING PLUG HOUSING PART NUMBER: 174047
 4 RECOMMENDED MOUNTING SCREW: 3mmDIA, 7mmLENGTH(MIN.)
 PAN HEAD, CLASS 2 TAPPING SCREW SPECIFIED IN JIS B1115,
 B1122 (TIGHTENING TORQUE: 0.39N-m MAX.)



	SELECTIVE-TIN (MATTE)	SELECTIVE GOLD	BLACK	1-5174055-2
	TIN-LEAD	SELECTIVE GOLD	BLUE	1-174055-5
OBsolete	TIN-LEAD	SELECTIVE GOLD	BLACK	1-174055-2
	PRE-TIN		YELLOW	174055-7
	PRE-TIN		BLUE	174055-5
	PRE-TIN		GREEN	174055-4
	SELECTIVE-TIN (MATTE)	SELECTIVE-TIN (BRIGHT)	BLACK	174055-3
	PRE-TIN		BLACK	174055-2
OBsolete	SELECTIVE-TIN	PRE-TIN	BLACK	174055-1
	SOLDERING SIDE 半田付け部	CONTACT SIDE 接触部側	COLOR 色	PART NUMBER 製品型番
	CONTACT FINISH コンタクト仕上			

THIS DRAWING IS A CONTROLLED DOCUMENT.		DWN T.SHINOHARA 15FEB05	TE Connectivity	
DIMENSIONS: 単位: 純 mm		CHK K.BETSUI 15FEB05		
TOLERANCES UNLESS OTHERWISE SPECIFIED: 一般公差		APVD K.BETSUI 15FEB05	NAME 040 SERIES MULTI-LOCK I/O CONN. 20POSITION CAP ASSY (HORIZONTAL TYPE)	
0 PLC ± 1 PLC ± 2 PLC ± 3 PLC ± 4 PLC ± ANGLES ±		PRODUCT SPEC 製品規格	DRAWING NO 番号 C=174055	
FINISH 仕上		APPLICATION SPEC 取付適用規格	SIZE A2	RESTRICTED TO
MATERIAL 材料 HOUSING; PBT CONTACT; BRASS		WEIGHT 6.1 g	CAGE CODE 00779	SCALE 2:1
SEE TABLE		CUSTOMER DRAWING	SHEET 1 of 1	REV G6