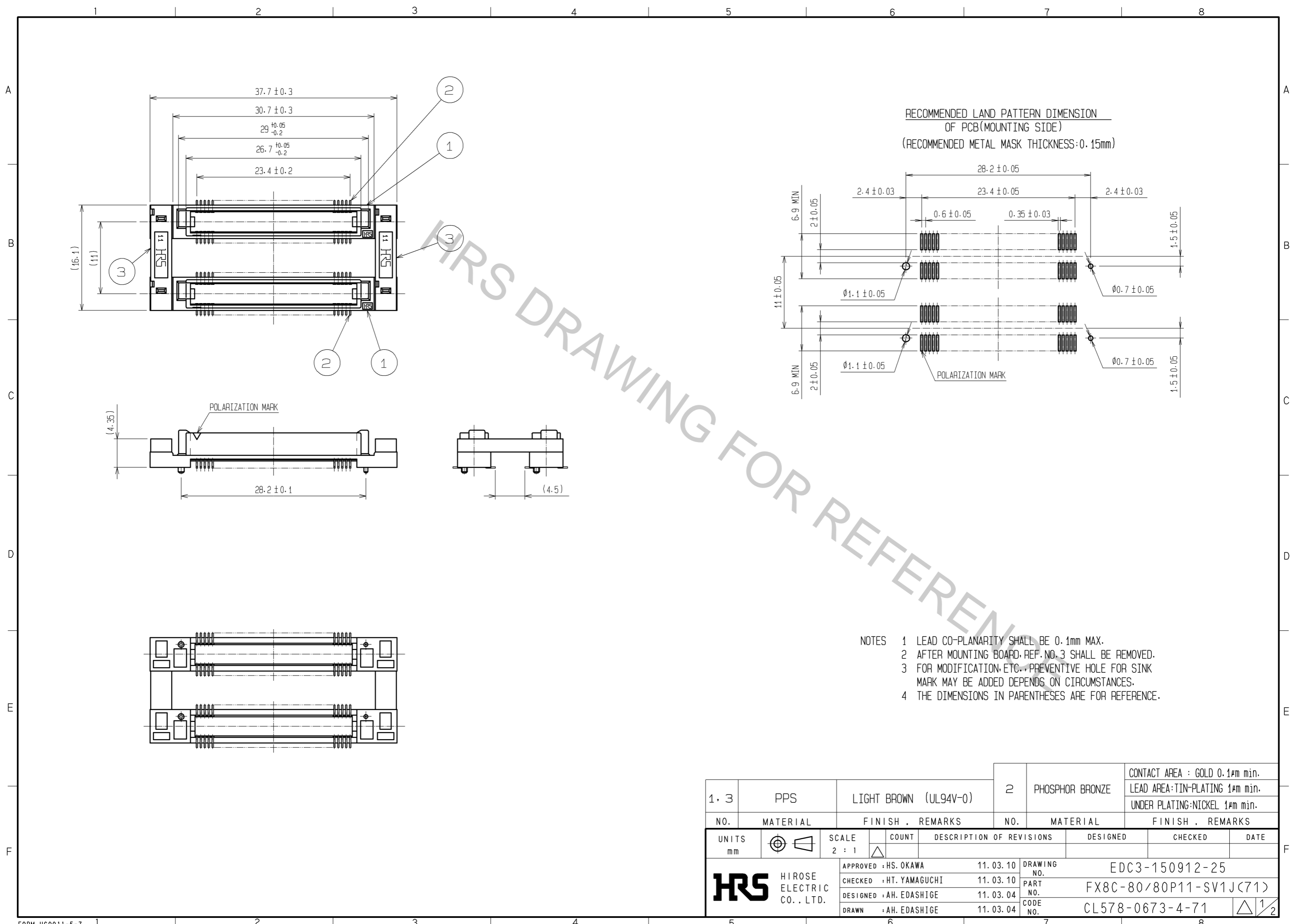


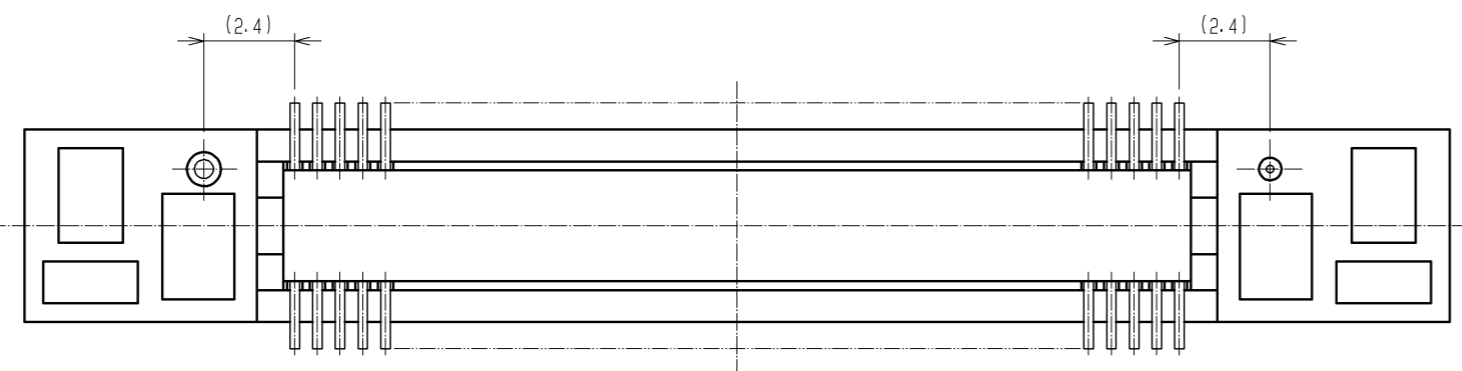
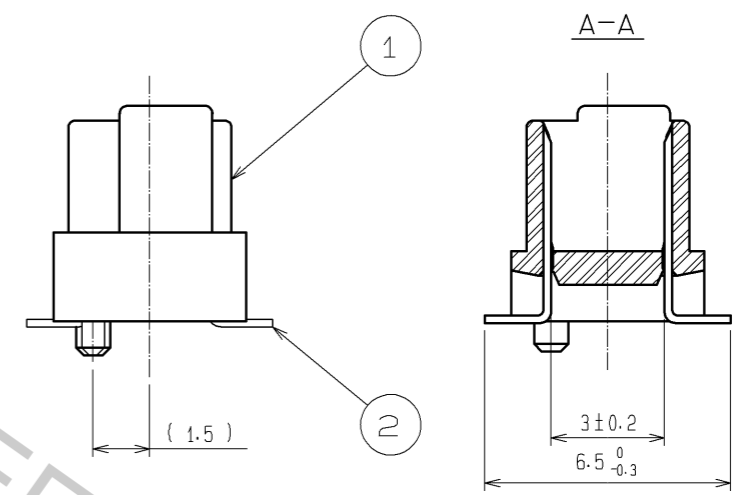
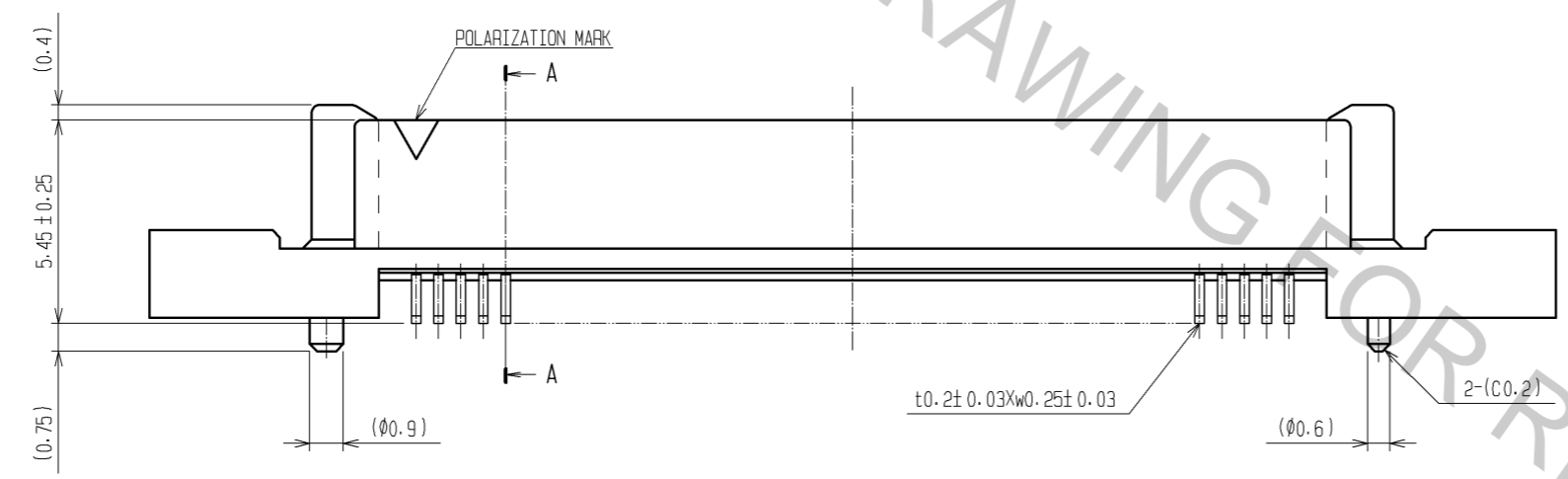
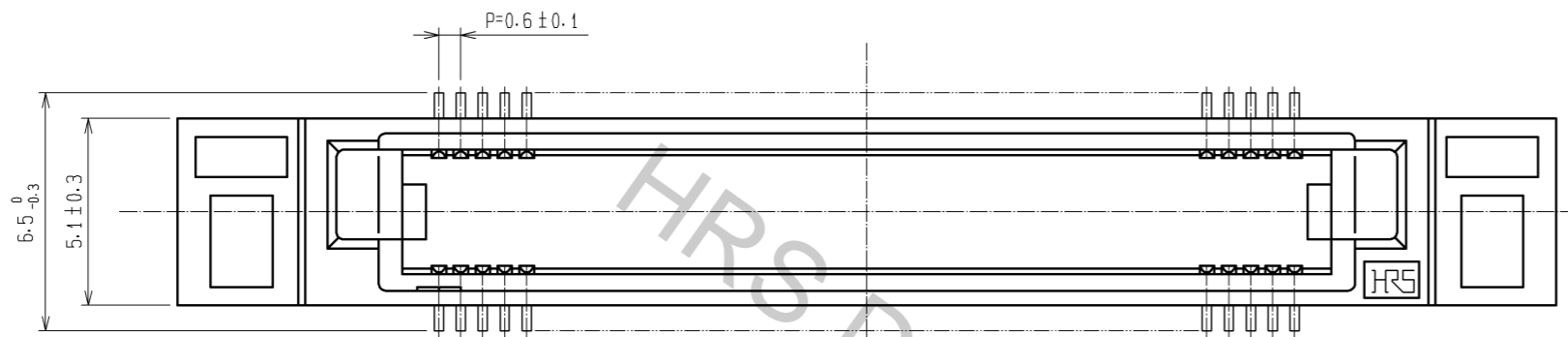
Apr.1.2017 Copyright 2017 HIROSE ELECTRIC CO., LTD. All Rights Reserved.



- NOTES
- 1 LEAD CO-PLANARITY SHALL BE 0.1mm MAX.
 - 2 AFTER MOUNTING BOARD, REF. NO. 3 SHALL BE REMOVED.
 - 3 FOR MODIFICATION, ETC., PREVENTIVE HOLE FOR SINK MARK MAY BE ADDED DEPENDS ON CIRCUMSTANCES.
 - 4 THE DIMENSIONS IN PARENTHESSES ARE FOR REFERENCE.

1, 3	PPS	LIGHT BROWN (UL94V-0)	2	PHOSPHOR BRONZE	CONTACT AREA : GOLD 0.1µm min. LEAD AREA: TIN-PLATING 1µm min. UNDER PLATING: NICKEL 1µm min.			
NO.	MATERIAL	FINISH . REMARKS	NO.	MATERIAL	FINISH . REMARKS			
UNITS mm			SCALE 2 : 1	COUNT 	DESCRIPTION OF REVISIONS	DESIGNED	CHECKED	DATE
HRS HIROSE ELECTRIC CO., LTD.		APPROVED : HS. OKAWA	11. 03. 10	DRAWING NO. EDC3-150912-25				
		CHECKED : HT. YAMAGUCHI	11. 03. 10	PART NO. FX8C-80/80P11-SV1J(71)				
		DESIGNED : AH. EDASHIGE	11. 03. 04	CODE NO. CL578-0673-4-71				
		DRAWN : AH. EDASHIGE	11. 03. 04					

DETAIL AFTER REMOVING JOINT



NOTES THE DIMENSIONS IN PARENTHESES ARE FOR REFERENCE.

HRS	DRAWING NO.	EDC3-150912-25
	PART NO.	FX8C-80/80P11-SV1J(71)
	CODE NO.	CL578-0673-4-71
		\triangle 2/2

Apr.1.2017 Copyright 2017 HIROSE ELECTRIC CO., LTD. All Rights Reserved.