

THIS DRAWING IS UNPUBLISHED. RELEASED FOR PUBLICATION
 © COPYRIGHT 1997 ALL RIGHTS RESERVED.

LOC	DIST	REVISIONS					
		P	LTR	DESCRIPTION	DATE	DWN	APVD
A1	-	G7		ECR-11-001659	24 JAN2011	SR	OH
		G8		ECR-11-002636	05 APR2011	SR	AR
		G9		ECR-11-016021	03 AUG2011	GW	OH

PART NO	A	B	NBR	FKM	EPDM COND	SERIES	NOTE
9-9	28.0	2.5	X	-	-	EMV-K3/4	-
9-4	3.5	1	X	-	-	AIR	-
9-3	4.5	1.5	X	-	-	AIR	-
9-2	47.7	3.5	X	-	-	AM-3P	-
9-1	11.0	1.0	X	-	-	AM-1P	-
8-2	54.0	3.0	X	-	-	AM-3P	-
8-1	50.0	3.0	X	-	-	AS-1P	-
7-6	168.0	3.0	X	-	-	AM-4P	-
7-2	50.0	2.0	-	X	-	Pg42	OBSOLETE
7-1	50.0	2.0	X	-	-	Pg42	-
6-6	135.0	3.0	X	-	-	AM-4P	-
6-2	44.0	2.0	-	X	-	Pg36	OBSOLETE
6-1	44.0	2.0	X	-	-	Pg36	-
5-6	5.0	1.0	X	-	-	MDC	-
5-3	7.0	3.0	X	-	-	AG-M6	-
5-2	34.0	2.0	-	X	-	Pg29	COLOR GREY
5-1	34.0	2.0	X	-	-	Pg29	-
4-6	12.5	2.5	X	-	-	MDC	-
4-4	98.0	3.0	-	-	X	HP/EMV 24	OBSOLETE
4-3	98.0	3.0	X	-	-	ABB-S0	-
4-2	26.0	2.0	-	X	-	Pg21	-
4-1	26.0	2.0	X	-	-	Pg21	-
3-6	24.0	3.0	X	-	-	MDC	-
3-5	64.0	3.0	X	-	-	AH-1P	-
3-4	80.0	3.0	-	-	X	HP/EMV 16	OBSOLETE
3-3	80.0	3.0	X	-	-	AK-1P	-
3-2	20.0	1.5	-	X	-	Pg16	COLOR GREY
3-1	20.0	1.5	X	-	-	Pg16	-
2-6	250.0	3.0	X	-	-	MDC	-
2-5	38.0	3.0	X	-	-	AH 1P	OBSOLETE
2-4	67.0	2.8	-	-	X	HP/EMV10	-
2-3	67.0	2.8	X	-	-	HP/EMV10	-
2-2	18.0	1.5	-	X	-	Pg13.5	OBSOLETE
2-1	18.0	1.5	X	-	-	Pg13.5	-
1-9	20.0	1.25	-	X	-	HC 26	BLACK
1-8	20.0	1.0	-	X	-	HC 26	BLACK
1-7	4.0	1.0	-	X	-	ARR1	-
1-6	330	5.0	X	-	-	MDC	-
1-5	19.0	1.8	X	-	-	Pg-Stv	OBSOLETE
1-4	59.0	3.0	-	-	X	HP/EMV6	OBSOLETE
1-3	59.0	3.0	X	-	-	HP/EMV6	-
1-2	16.0	1.5	-	X	-	Pg11	OBSOLETE
1-1	16.0	1.5	X	-	-	Pg11	-
1-0	23.0	1.0	-	X	-	HC 26	COLOR BLUE
0-9	23.52	1.78	-	X	-	HC 25	-
0-8	26	1.5	-	X	-	HC 26	COLOR BLUE
0-7	40	2.5	X	-	-	HW G	-
0-6	25.0	1.5	X	-	-	ALM	COLOR BLUE
0-5	17.5	1.5	-	X	-	HC 20	COLOR BLUE
0-4	17	1.0	-	X	-	HC 20	COLOR BLUE
0-3	21.2	2.65	-	X	-	HF-1-EMV-K	-
0-2	3.0	1.0	X	-	-	HA-EMV-K	-
0-1	13.0	1.5	X	-	-	Pg 09	-

OBSOLETE

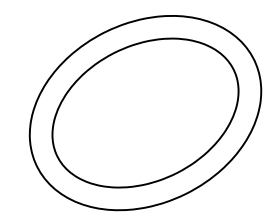
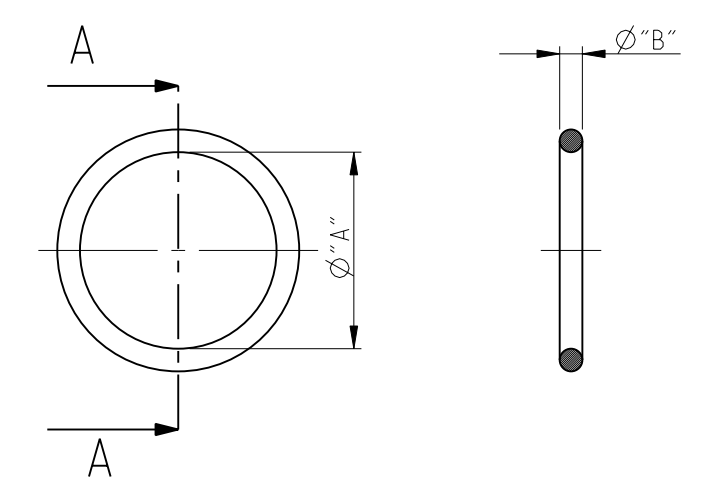
OBSOLETE

G9

OBSOLETE

NOTES

- PARTS SHALL BE FREE AND CLEAN OF SHARP EDGES AND ALL OTHER FOREIGN MATERIAL NO LOOSE BURRS PERMITTED.
- NBR. 70°±5° SHORE A. BLACK. ACC .TO DIN 3770
- FKM. 70°±5° SHORE A. TEMPERATURE RANGE -30 °C / +200 °C
- EPDM. 65°±5° SHORE A. BLACK. ELECTRICAL CONDUCTIVE. RESISTIVITY: 8.05 x 10³ OHMS PER CM
- PACKAGING PN 0-1. 1000 PIECES MAX. IN A BOX



SCALE 2:1

THIS DRAWING IS A CONTROLLED DOCUMENT.		DWN Rösigen 26.05.1999	STE TE Connectivity	
		CHK Schweiger 26.05.1999		
DIMENSIONS: mm		TOLERANCES UNLESS OTHERWISE SPECIFIED:		NAME O-Ring
		0 PLC ±	APVD -	PRODUCT SPEC -
		1 PLC ±	APVD -	APPLICATION SPEC -
		2 PLC ±	APVD -	WEIGHT -
		3 PLC ±	APVD -	CUSTOMER DRAWING
MATERIAL -		FINISH -	SCALE 1:1	SHEET 1 OF 1
PART NO A		SIZE A2		CAGE CODE 00779
DIMENSIONS B		DRAWING NO C-1106053		RESTRICTED TO -
MATERIAL NBR 2		REV G9		
FKM 3				
EPDM COND 4				