

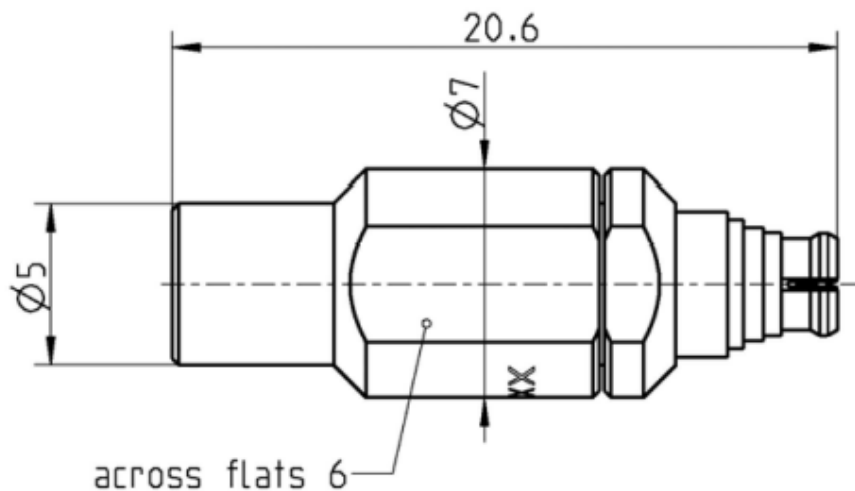
SMP

Calibration Adaptor
Plug full detent / Jack

19S121-K20D3



serial ident.-no.



All dimensions are in mm; tolerances according to ISO 2768 m-H

Interface

According to

MIL-STD-348

Documents

Application note

AN001 "Calibration Services"

Material and plating

Connector parts

Center conductor
Outer conductor
Dielectric

Material

CuBe
CuBe
PEEK

Plating

Gold, min. 1.27 µm, over nickel
Gold, min. 1.27 µm, over nickel

Dieses Dokument ist urheberrechtlich geschützt • This document is protected by copyright • Rosenberger Hochfrequenztechnik GmbH & Co. KG

RF_35/09.14/6.2

Electrical data

Frequency range	DC to 40 GHz
Return loss	≥ 26 dB, DC to 4 GHz
	≥ 20 dB, 4 GHz to 18 GHz
	≥ 18 dB, 18 GHz to 40 GHz

Mechanical data

Mating cycles Plug side	≥ 100
Mating cycles Jack side	
if mating part is Smooth bore	≥ 1000
if mating part is Limited detent	≥ 500
if mating part is Full detent	≥ 100
Engagement force	
- Smooth bore	9 N
- Limited detent	45 N
- Full detent	68 N
Disengagement force	
- Smooth bore	2.2 N
- Limited detent	9 N
- Full detent	22 N
Gauge	0.00 mm to 0.05 mm

General standard definition

For proper operation the vector network analyzer (VNA) needs a model describing the electrical behaviour of this calibration standard. The different models, units, and terms used will depend on the VNA type and they will have to be entered into the VNA. All values are based on typical geometry and plating.

Offset Z_o / Impedance / Z_o	50 Ω
Offset Delay	63.7107 ps
Length (electrical) / Offset Length	19.10 mm
Offset Loss	4.00 G Ω /s
Loss	0.0221 dB/ $\sqrt{\text{GHz}}$

Environmental data

Operating temperature range ¹	+20 °C to +26 °C
Rated temperature range of use ²	0 °C to +50 °C
Storage temperature range	- 40 °C to +85 °C

RoHS compliant

¹ Temperature range over which these specification are valid.

² This range is underneath and above the operating temperature range, within the calibration adaptor is fully functional and could be used without damage.

Declaration of calibration options

Factory Calibration

Standard delivery for this calibration standard includes a Factory Calibration. The Calibration Certificate issued reports individual calibration results, **traceable to Rosenberger standards**, national / international standards are not available. Model based standard definitions are reported in an Agilent/Keysight, Rohde & Schwarz and Anritsu compatible VNA format.

Accredited Calibration

Not available.

For further, more detailed information see application note AN001 on the Rosenberger homepage.

Calibration interval

Recommendation 12 months

Packing

Standard 1 pce in box
Weight 3.4 g/pce

While the information has been carefully compiled to the best of our knowledge, nothing is intended as representation or warranty on our part and no statement herein shall be construed as recommendation to infringe existing patents. In the effort to improve our products, we reserve the right to make changes judged to be necessary.

Dieses Dokument ist urheberrechtlich geschützt • This document is protected by copyright • Rosenberger Hochfrequenztechnik GmbH & Co. KG

RF_35/09.14/6.2

Draft	Date	Approved	Date	Rev.	Engineering change number	Name	Date
Marion Striegler	15.09.15	Markus Müller	07.11.16	c00	15-1629	Marion Striegler	07.11.16
Rosenberger Hochfrequenztechnik GmbH & Co. KG P.O.Box 1260 D-84526 Tittmoning Germany www.rosenberger.de						Tel. : +49 8684 18-0 Email : info@rosenberger.de	
							Page 3 / 3