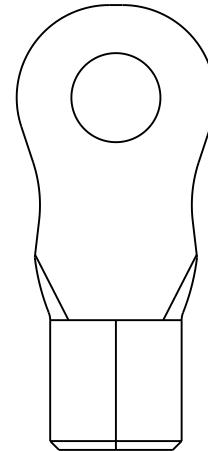
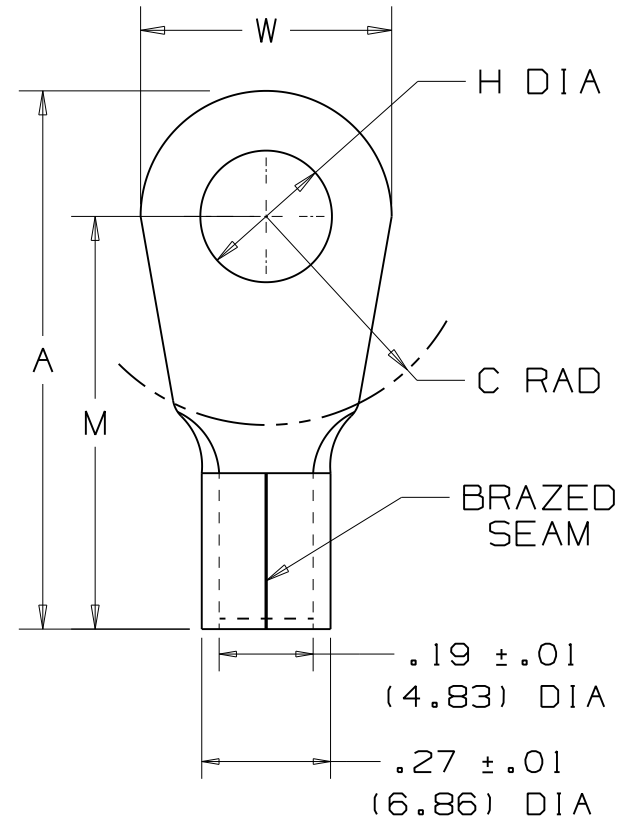


THIS COPY IS PROVIDED ON A RESTRICTED BASIS AND IS NOT TO BE USED IN ANY WAY DETRIMENTAL TO THE INTERESTS OF PANDUIT CORP.

PANDUIT PART NUMBER		STUD SIZE	DIMENSIONS in.				
PREFIX	PK		A $\pm .03$	W $\pm .01$	C $\pm .02$	M $\pm .03$	H $\pm .01$
P8-8RHT6	-0	#8	1.12 (28.45)	.42 (10.67)	.43 (10.92)	.91 (23.11)	.17 (4.32)
P8-8RNHT6	-0	#8	1.09 (27.69)	.36 (9.25)	.43 (10.92)	.91 (23.11)	.17 (4.32)
P8-10RHT6	-0 -T	#10	1.14 (28.96)	.42 (10.67)	.43 (10.92)	.91 (23.11)	.20 (5.08)
P8-10RNHT6	-0 -T	#10	1.09 (27.69)	.36 (9.25)	.43 (10.92)	.91 (23.11)	.20 (5.08)
P8-14RHT6	-0	1/4"	1.14 (28.96)	.47 (11.94)	.43 (10.92)	.91 (23.11)	.27 (6.86)
P8-56RHT6	-0	5/16"	1.25 (31.75)	.59 (14.99)	.51 (12.95)	.95 (24.13)	.33 (8.38)
P8-38RHT6	-0	3/8"	1.25 (31.75)	.59 (14.99)	.51 (12.95)	.95 (24.13)	.39 (9.91)
P8-12RHT6	-0	1/2"	1.36 (34.54)	.82 (20.83)	.54 (13.72)	.95 (24.13)	.52 (13.21)



P8-10RHT6
CONFIGURATION
(NOT TO SCALE)



NOTES:

- FOR #8 AWG COPPER WIRE
- 650 F (343C) MAX. TEMP RATING
- PACKAGE QTY: STD - Q=25
BLK - T=200
- MATERIAL:
STAMPING - .040" (1.02) THK COPPER,
NICKEL PLATED
- DIMENSIONS IN BRACKETS ARE MILLIMETERS
- INSTALLATION TOOL: CT-2600
- WIRE STRIP LENGTH: 3/8 +1/32 -0 (9.5mm +.8 -0)

03	5/09	BCT		MODIFIED P8-10RHT6 DIM W TO 0.42"			
02	1/09			ADDED P8-8RNHT6 & #8-10RNHT6			
01	6/08	SRB		Removed UL & CSA ADDED temp rating Removed ct-2600 tool			
00	6/08	BCT		RELEASED			
REV	DATE	BY	CHK	DESCRIPTION	ECN #	CUST	PM

PANDUIT

CORP.

TINLEY PARK, ILLINOIS

#8 BARREL NON-INSULATED
HIGH TEMPERATURE RING TONGUE

DRAWN BY BCT	CHK'D	SCALE NONE	DRAWING NO. A41741
-----------------	-------	---------------	-----------------------